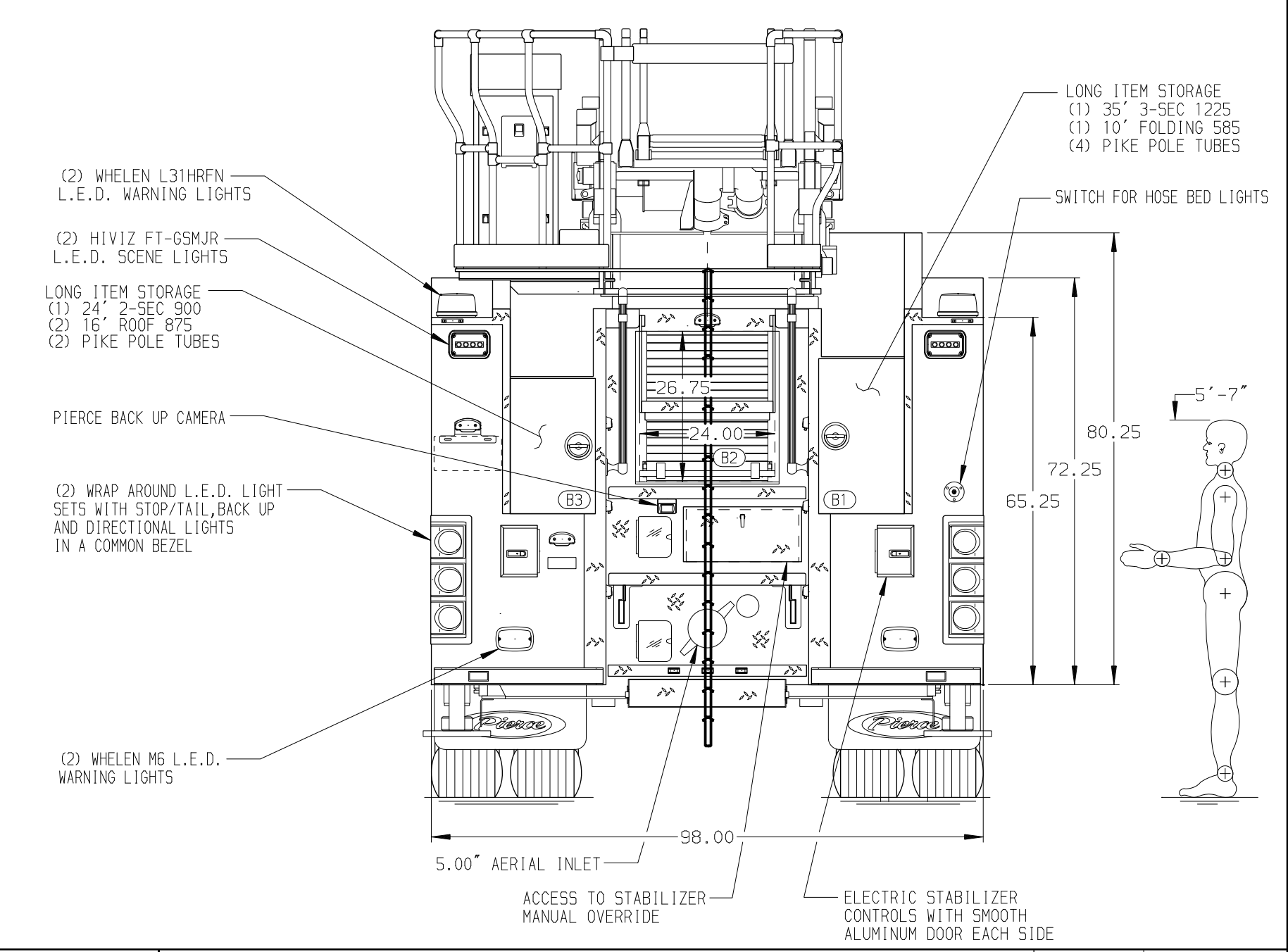
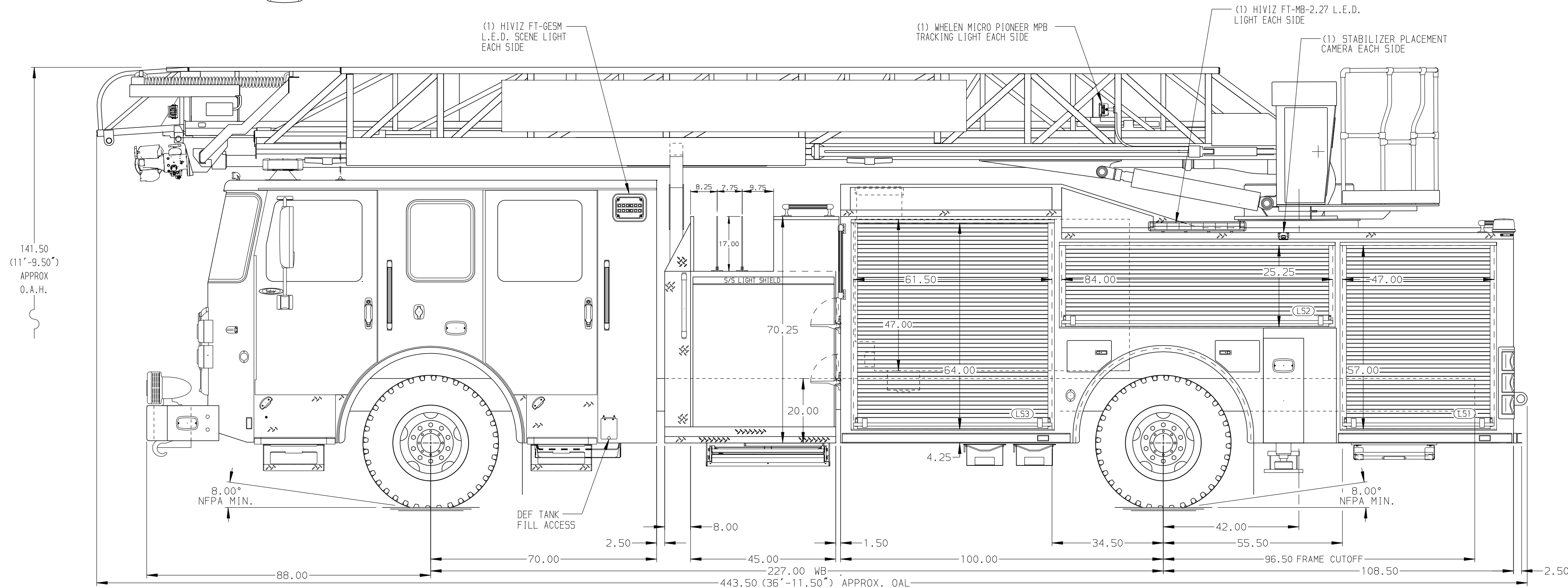


BODY	WATER TANK
75' HAL Aluminum Body	500 Gallon Poly Water Tank
COMPT, LEFT SIDE FRONT	Foam System
Full Height RollUp Forward	Plumbing for Future Husky Foam System
COMPT, LEFT SIDE REAR	Foam Cell
Full Height RollUp Rearward	20 Gallon Foam Cell, Non-Reduced Water
COMPT, RIGHT SIDE FRONT	
Full Height RollUp Forward	
COMPT, RIGHT SIDE REAR	
Full Height RollUp Rearward	



CHASSIS	CAB	AXLE, FRONT, CUSTOM	TRANSMISSION	PUMPHOUSE	CROSSLAYS, 1.50"	SPEEDLAYS
Saber FR Chassis	7000 Saber Cab	20,000 Lb Meritor Axle	Allison 6th Gen, 4000 EV5 P	45" Control Zone Side Mount	(2) 1.50" Standard Capacity	Speedlays Not Required
ENGINE	BUMPER	AXLE, REAR		PUMP	CROSSLAYS, 2.50"	GENERATOR
510 HP Paccor MX13 Engine	19" Extended Painted Steel	33,500 Lb Meritor Axle		2000 GPM Waterous CSU	(1) 2.50" Standard Capacity	Generator Not Required

NOTE
DIMENSIONS SHOWN ARE APPROXIMATE AND ARE SUBJECT TO MINOR DEVIATIONS AS MAY OCCUR OR BE NECESSARY IN CONSTRUCTION. MINOR DETAILS NOT SHOWN.

- TECHNO RING LIGHTING ON AERIAL LADDER
- SHORELINE RECEPTACLE WITH KUSSMALL SUPER AUTO-EJECT LOCATED ON DRIVER SIDE OF THE CAB
- AIR INLET/OUTLET WITH DISCONNECT FITTING LOCATED IN THE DRIVER SIDE STEPWELL
- BATTERY CHARGER LOCATED BEHIND DRIVER SEAT
- BATTERY CHARGE INDICATOR LOCATED ON DRIVER'S SEAT RISER
- DUAL L.E.D. LIGHT STRIPS LOCATED IN HOSE BED
- SIX ADJUSTABLE SHELVES IN COMPARTMENTS PER ORDER
- FOUR FLOOR MOUNTED SLIDE-OUT TRAYS LOCATED IN COMPARTMENTS PER ORDER
9. 7.00" AERIAL LIMITED RETRACTION
- DUAL LIGHT STRIPS LOCATED IN COMPARTMENTS PER ORDER
11. 1.50" RAISED AERIAL PEDESTAL
12. 1500 GPM HIGH FLOW WATERWAY
13. LIFTING EYE RESCUE ATTACHMENT AT AERIAL TIP
14. FOUR RECEPTACLES LOCATED PER ORDER

		JOB NO.	42621
		SCALE	1:24
Pierce		TITLE	75 AERIAL LADDER & BODY ASSEMBLY (HAL)
		FOR	GLENWOOD H&L, E&H COMPANY GLENWOOD LANDING, NY
CHASSIS DATA MAKE PIERCE MODEL SABER FR		CHECKED BY	AST 09MAY24
		SHEET SIZE	D 1 OF 1
DWG NO. 42621AD			