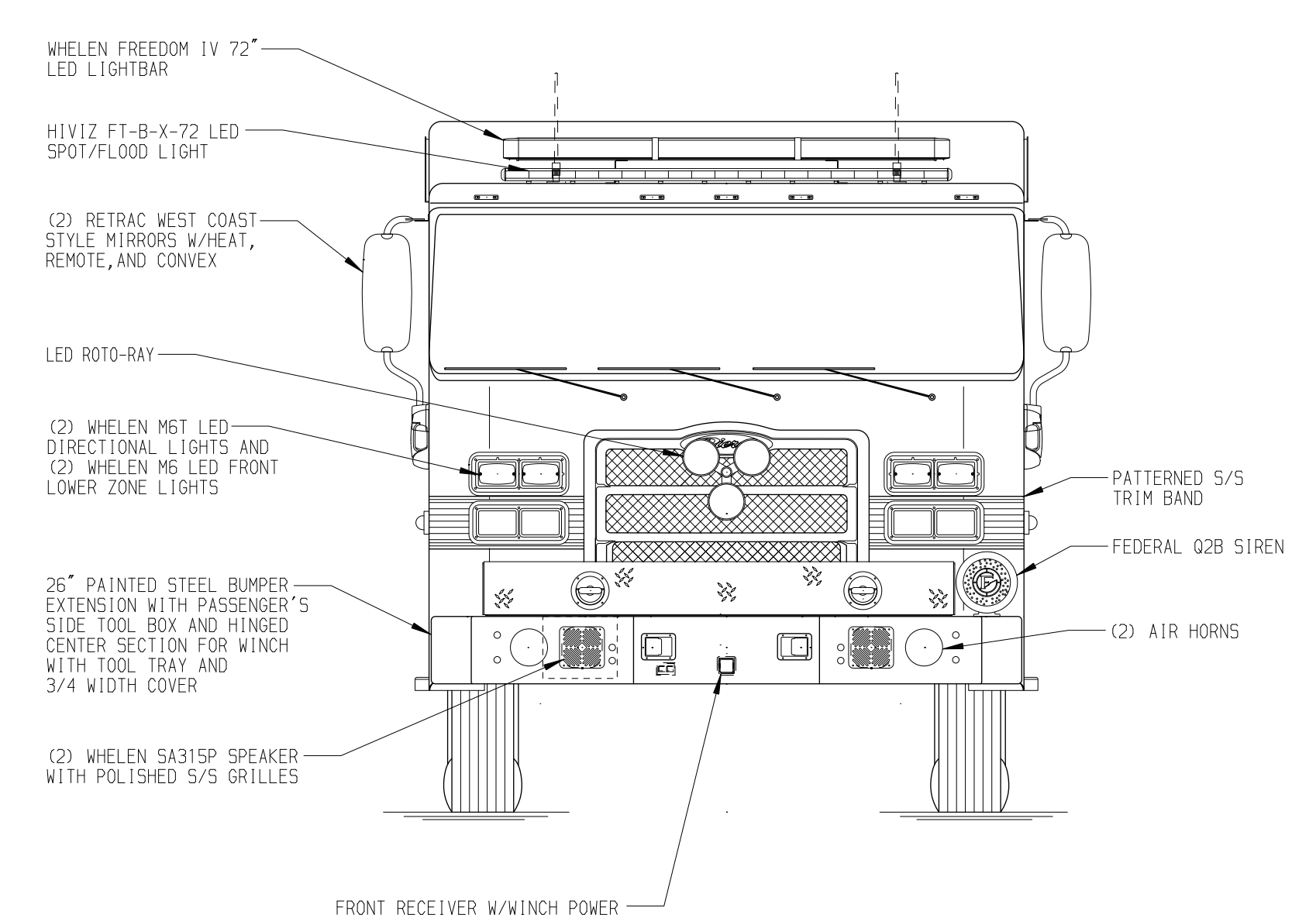
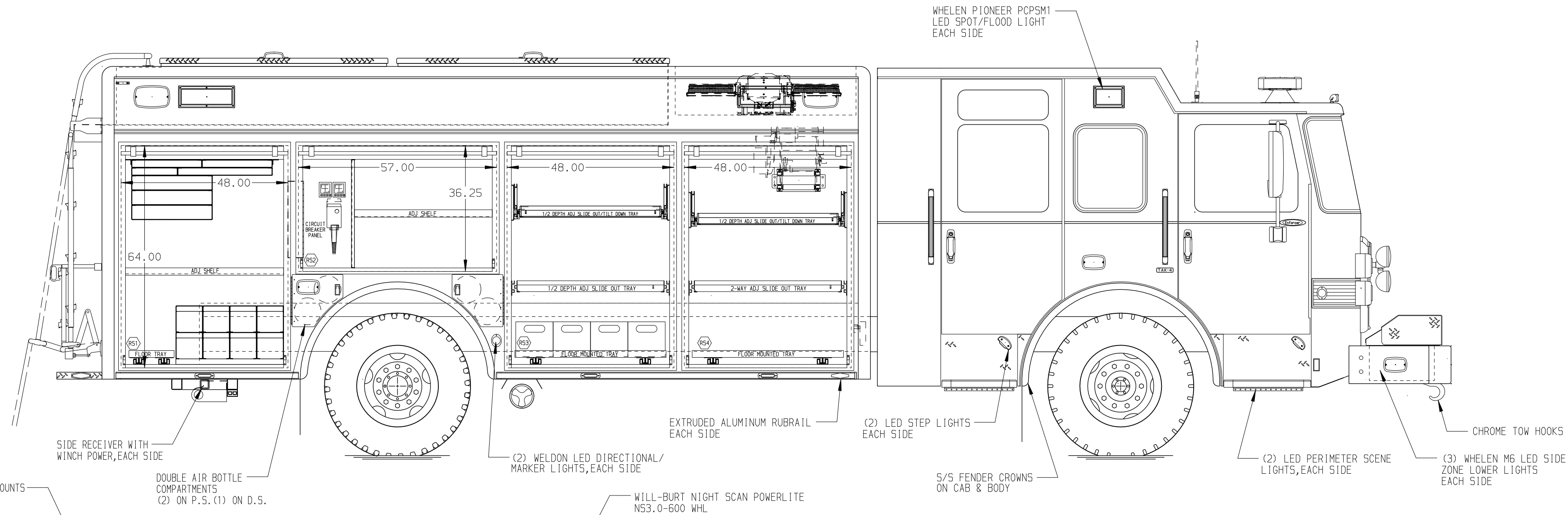


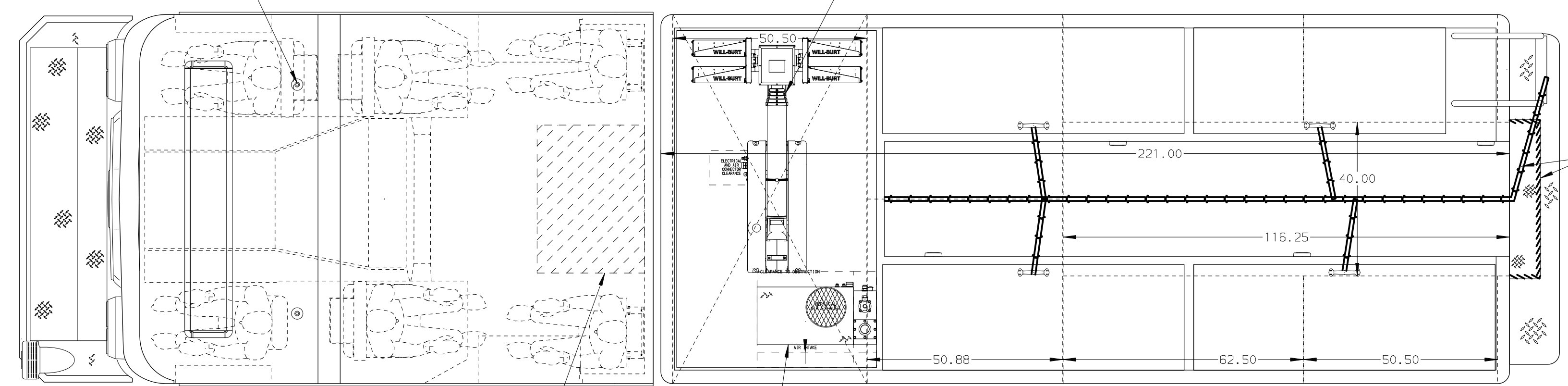
PASSENGER'S SIDE COMPARTMENTS CONTAIN THE FOLLOWING:

- COMPARTMENT P1 CONTAINS:**
 - (1) FLOOR MOUNTED TRAY
 - (1) STD DEPTH ADJ SHELF
 - (1) RACK FOR 8 SCBA BOTTLES
 - (1) RACK FOR 7 AIR BAGS
- COMPARTMENT P2 CONTAINS:**
 - (1) VERTICAL COMPARTMENT DIVIDER
 - (1) CIRCUIT BREAKER PANEL
 - (1) NIGHT SCAN CONTROLLER
 - (1) GENERATOR METER PANEL
 - (1) STD DEPTH ADJ SHELF
- COMPARTMENT P3 CONTAINS:**
 - (1) 1/2 DEPTH ADJ SLIDE OUT/TILT TRAY
 - (1) FLOOR MOUNTED TRAY
 - (1) REAR WALL COMPARTMENT DIVIDER
 - (1) 1/2 DEPTH ADJ SLIDE OUT TRAY
 - (4) POLY TOOL BOXES
- COMPARTMENT P4 CONTAINS:**
 - (1) 1/2 DEPTH ADJ SLIDE OUT/TILT TRAY
 - (1) FLOOR MOUNTED TRAY
 - (1) CAB LIFT CONTROLLER
 - (1) 2-WAY ADJ SLIDE OUT TRAY
 - (1) ELECTRIC CABLE REEL W/200' OF 10/3 YELLOW CORD & CAPTIVE ROLLER



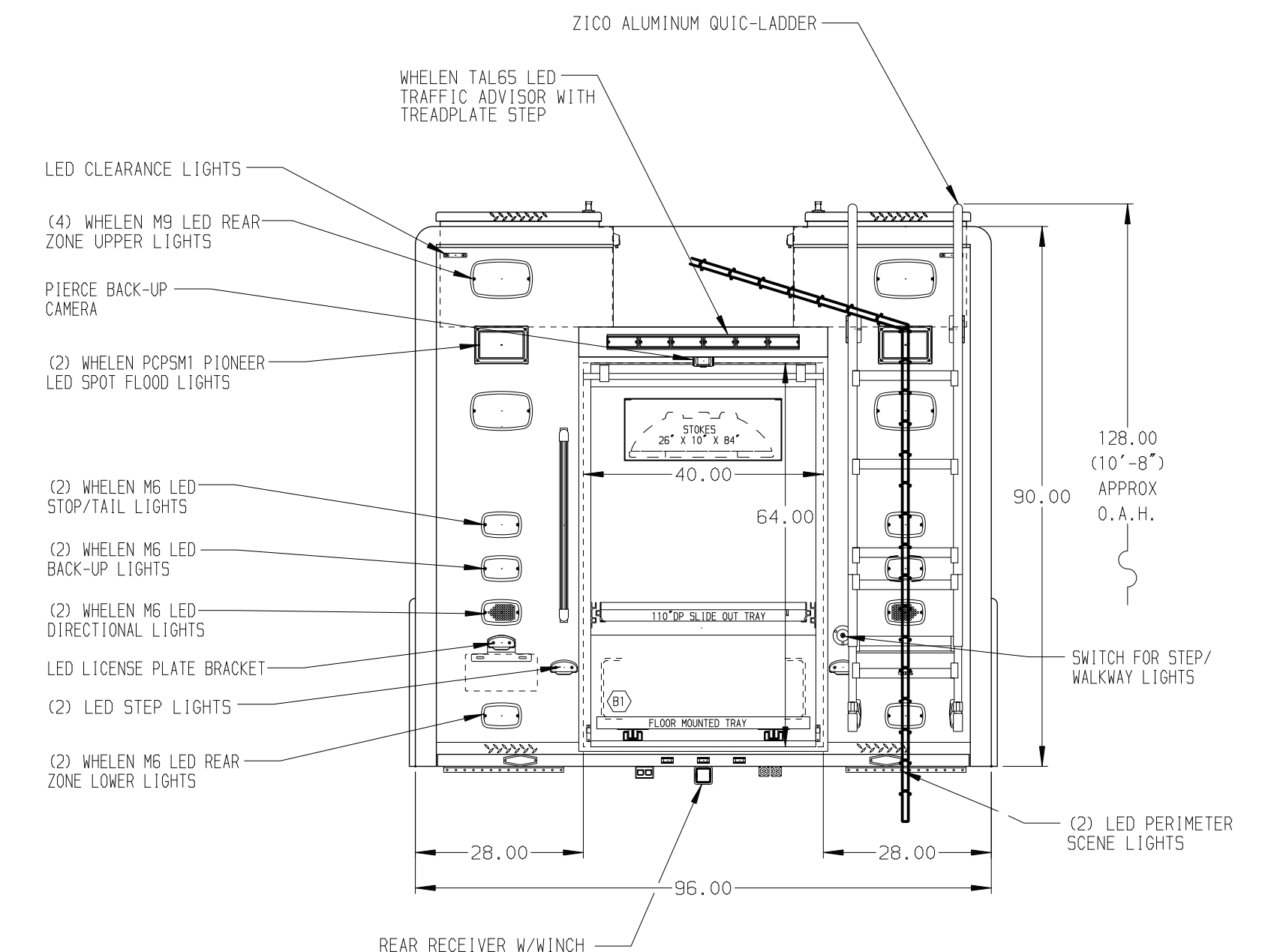
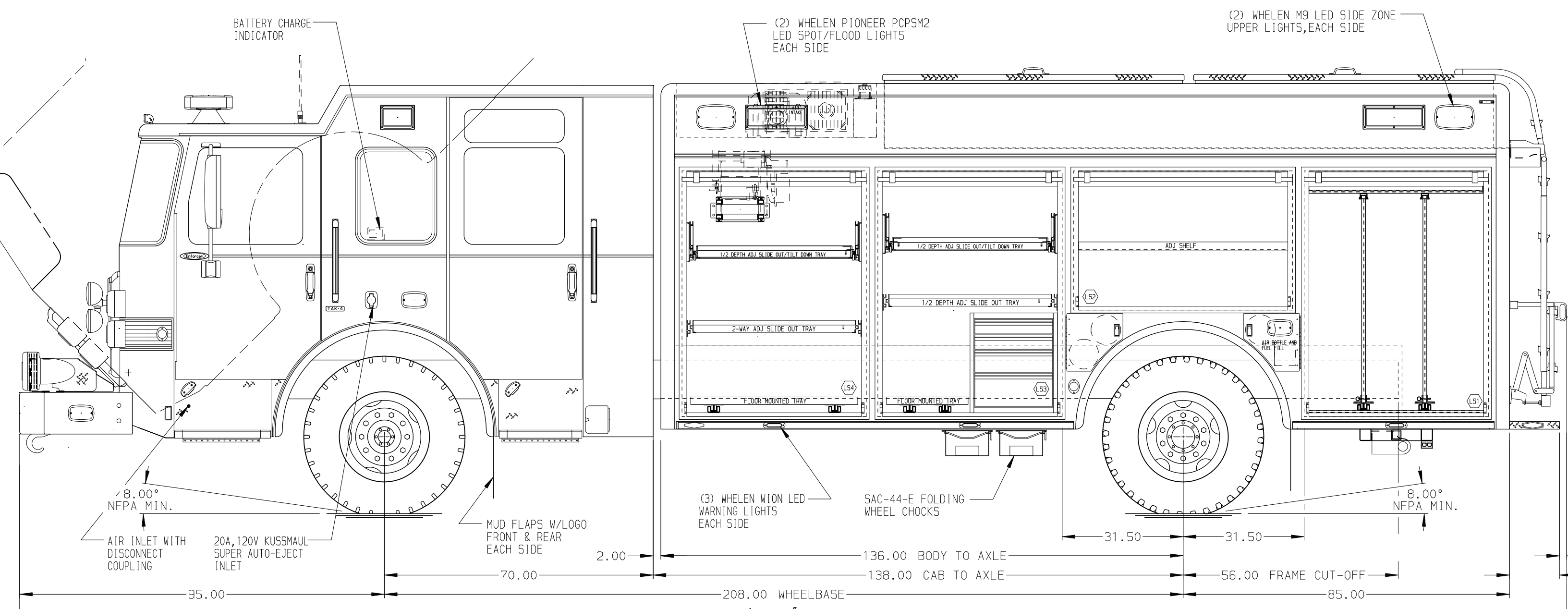
REAR COMPARTMENT CONTAINS THE FOLLOWING:

- COMPARTMENT R1 CONTAINS:**
 - (1) 110" DP SLIDE OUT TRAY
 - (1) FLOOR MOUNTED RACK
 - (1) STOKES BASKET RACK



DRIVER'S SIDE COMPARTMENTS CONTAIN THE FOLLOWING:

- COMPARTMENT D1 CONTAINS:**
 - (2) STD DEPTH ADJ SLIDE OUT TOOLBOARDS
- COMPARTMENT D2 CONTAINS:**
 - (1) STD DEPTH ADJ SHELF
- COMPARTMENT D3 CONTAINS:**
 - (1) 1/2 DEPTH ADJ SLIDE OUT/TILT TRAY
 - (1) 1/2 DEPTH ADJ SLIDE OUT TRAY
 - (1) FLOOR MOUNTED TRAY
 - (1) REAR WALL COMPARTMENT DIVIDER
 - (1) 4-DRAWER C-TECH CABINET
- COMPARTMENT D4 CONTAINS:**
 - (1) 1/2 DEPTH ADJ SLIDE OUT/TILT TRAY
 - (1) 2-WAY ADJ SLIDE OUT TRAY
 - (1) FLOOR MOUNTED TRAY
 - (1) ELECTRIC CABLE REEL W/200' OF 10/3 YELLOW CORD & CAPTIVE ROLLER



NOTE:
 DIMENSIONS SHOWN ARE APPROXIMATE AND ARE SUBJECT TO MINOR DEVIATIONS AS MAY OCCUR OR BE NECESSARY IN CONSTRUCTION. MINOR DETAILS NOT SHOWN.

- NOTES:**
1. WARN #9,000 PORTABLE WINCH
 2. FLOOR IN CAB AND CREW CAB TO BE PADDED RUBBER
 3. ELASTIC PULL STRAPS ON ALL BODY ROLL UP DOORS
 4. PIERCE LED LIGHT STRIPS IN ALL BODY AND HATCH COMPARTMENTS
 5. KUSSMAUL 60 AMP BATTERY CHARGER LOCATED BEHIND THE DRIVER'S SEAT
 6. S/S GUARDS ON ALL BODY ROLL-UP DOORS
 7. ONSPOUT AUTOMATIC TIRE CHAINS

(SIDE ROLL & FRONTAL IMPACT PROTECTION)

CUSTOMER APPROVAL

APPROVED BY: _____
 DATE: _____

REV	DATE	BY	CH
290024	DHE	AST	
25JUL24	DHE	AST	

Pierce MANUFACTURING INC.		JOB NO.	42094
		SCALE	DATE
		DRAWN BY	05MAR24
		CHECKED BY	02ARP24
		SHEET SIZE	SHEET NO.
		D	1 OF 1

CLEAR DOOR WIDTH KEY		CHASSIS DATA	TITLE
AMOR ROLL UP DOORS:	-2 1/4"	MAKE	HEAVY DUTY RESCUE NON-WALKIN
CORTITE ROLL UP DOORS:	-2 1/2"	MODEL	SALINA FIRE DEPARTMENT CONRAD FIRE EQUIPMENT
PIERCE DOUBLE LIP DOORS:	-4 1/4"	REV	DWG NO.
PIERCE LIFT-UP LIP DOORS:	-1 1/2"	EN7010	42094D
(EX: 60" F-F - 2 1/4" = 57 3/4" CLEAR) (F-F) = FRAME TO FRAME			