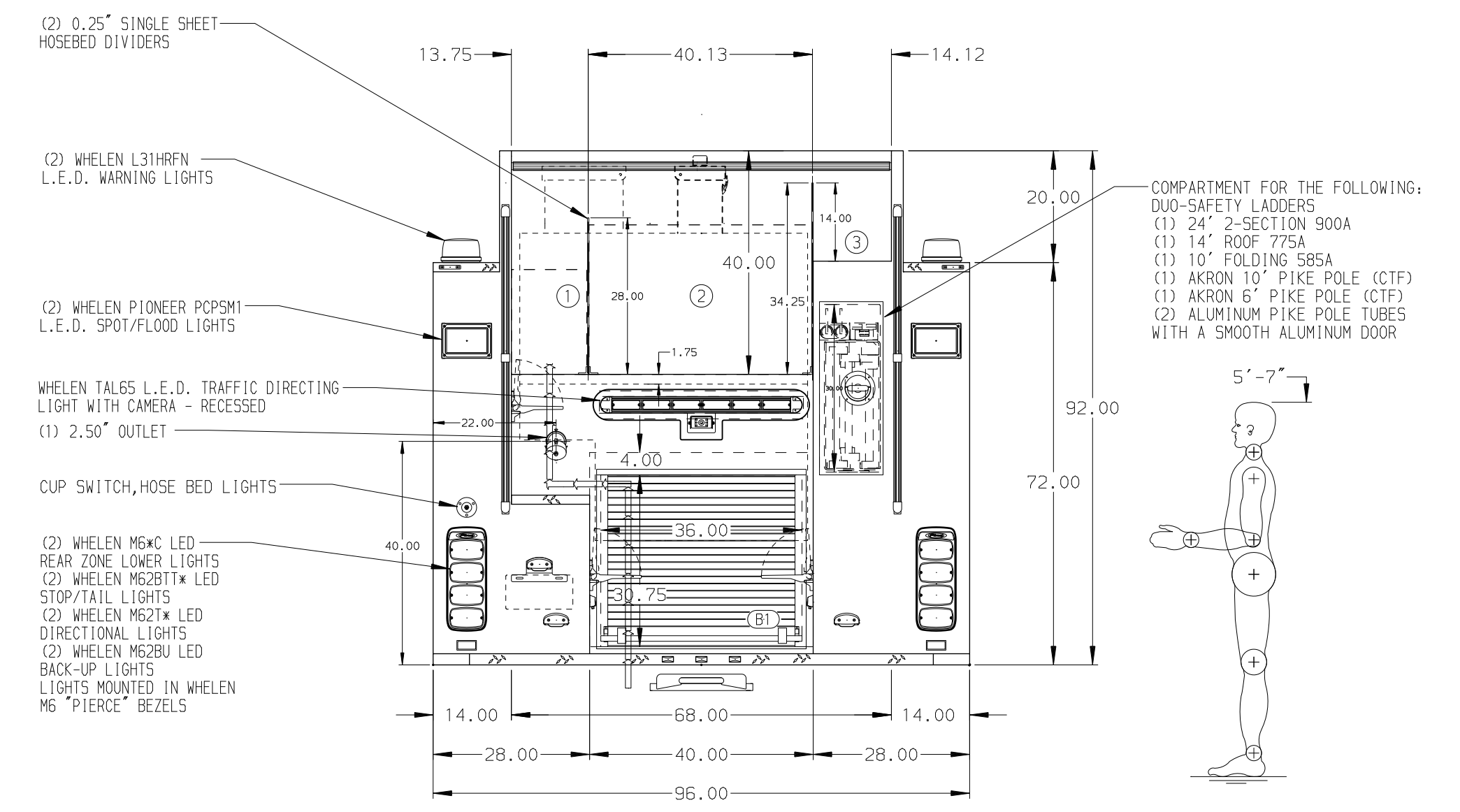
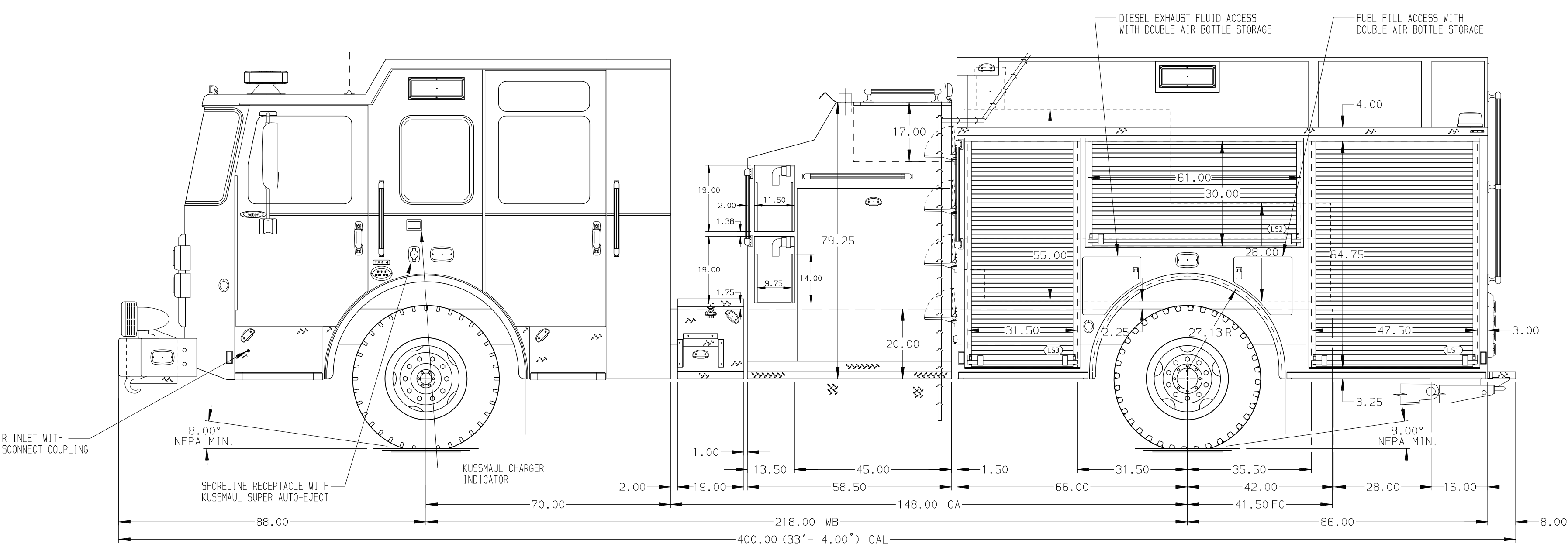


HOSEBED CAPACITIES

① 400' OF 2.50" D.J. HOSE

② 1000' OF 5.00" D.J. HOSE

③ OPEN AREA



ALUMINUM BODY

NOTE
 DIMENSIONS SHOWN ARE APPROXIMATE AND ARE SUBJECT TO MINOR DEVIATIONS AS MAY OCCUR OR BE NECESSARY IN CONSTRUCTION. MINOR DETAILS NOT SHOWN.

		JOB NO.	41701
		SCALE	DATE
CHASSIS DATA TITLE 1500-D-770P, 750 GAL WATER, 20 GAL FOAM 152" PUMPER BODY, TOP CONTROL, LADDERS BESIDE TANK FOR SPARTAN FIELD UNIT ROEBUCK, NC	DRAWN BY	SDR	270CT23
	CHECKED BY	SJS	310CT23
DWG NO.	41701AD		SHEET NO.
REV	DATE	BY	CH
12JUL24	WHO	CAG	MAKE
02MAY24	RWR	CGA	PIERCE
-	-	SJS	MODEL
-	-	-	SABER FR
		SHEET SIZE	D
		1 OF 1	