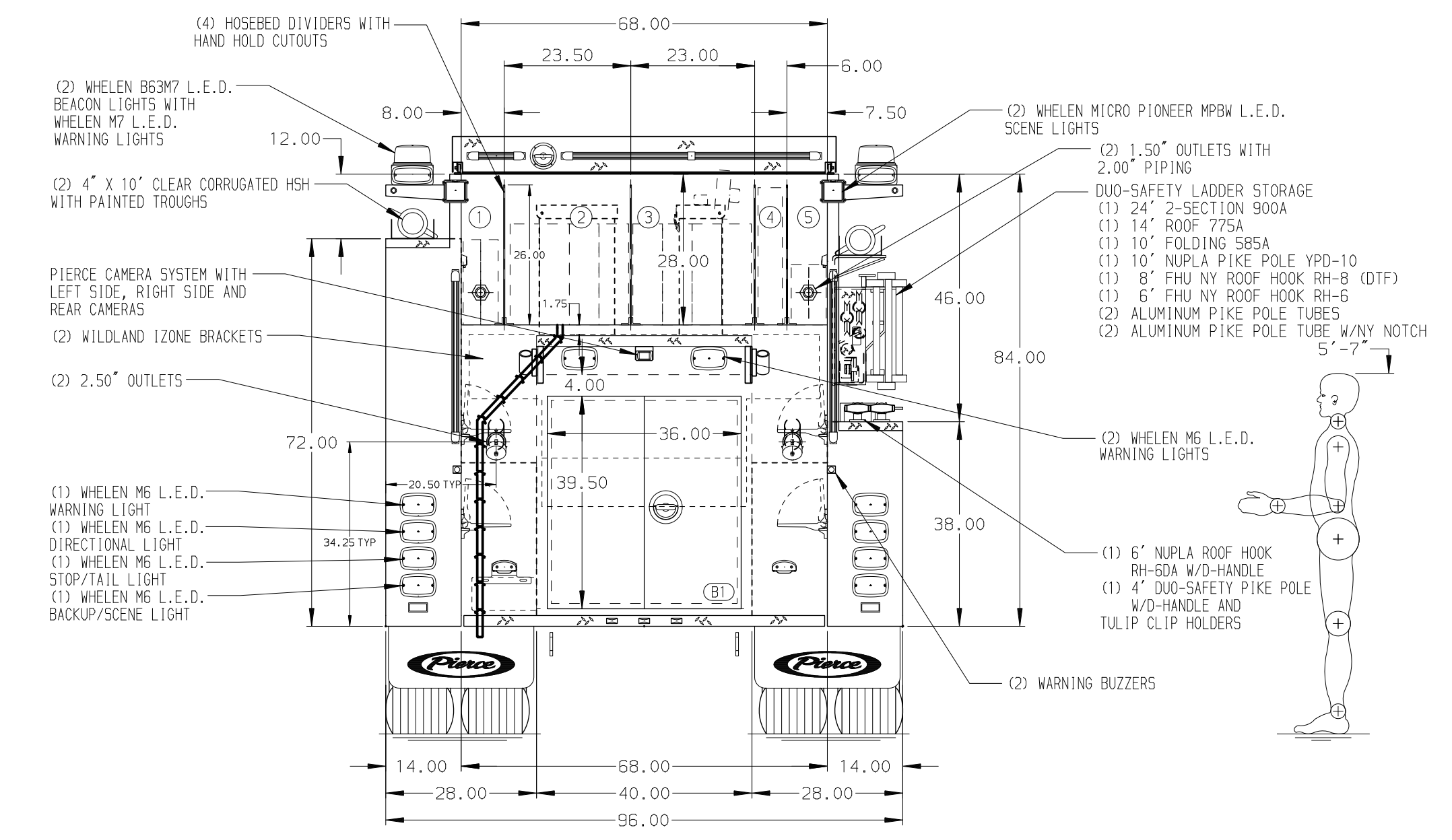
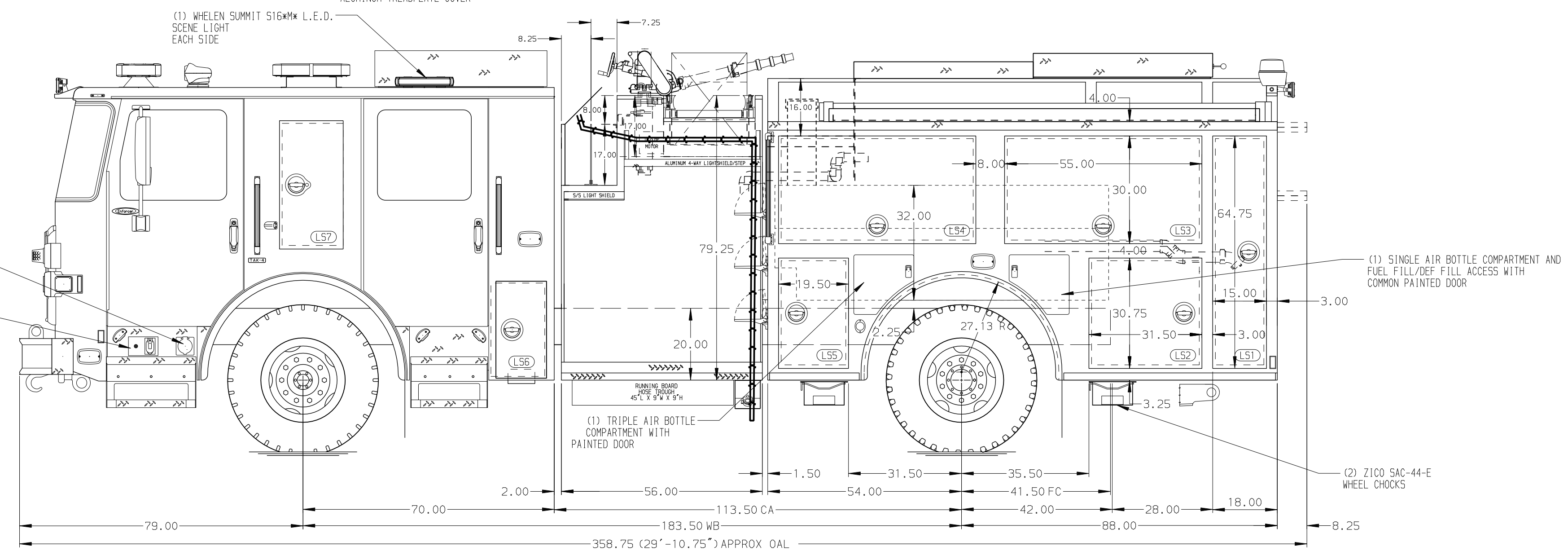


- HOSEBED CAPACITIES**
- ① - 350' OF 1.75" DJP HOSE
 - ② - 750' OF 3.00" DJP HOSE
 - ③ - 750' OF 3.00" DJP HOSE
 - ④ - 250' OF 2.50" DJP HOSE
 - ⑤ - 250' OF 1.75" DJP HOSE



ALUMINUM BODY

MAXIMUM O.A.H. 116"

NOTE
DIMENSIONS SHOWN ARE APPROXIMATE AND ARE SUBJECT TO MINOR DEVIATIONS AS MAY OCCUR OR BE NECESSARY IN CONSTRUCTION. MINOR DETAILS NOT SHOWN.

1. AIR OUTLET WITH SHUT-OFF VALVE LOCATED AT THE DRIVER'S SIDE PUMP PANEL
2. CHARGER LOCATED BEHIND DRIVER'S SEAT
3. REMOTE CHARGE INDICATOR LOCATED ON DRIVER'S SEAT RISER
4. KANTREX FREEDOM DISPLAY LOCATED NEAR DRIVER'S SEAT RISER ON SPECIAL BRACKET
5. FOMPRO 2002 FOM SYSTEM

REV	DATE	BY	CH	ENFORCER
▽	04JUN24	SAM	BSE	CHASSIS DATA
▽	16MAY24	SAM	BSE	MAKE
▽	12APR24	SAM	BSE	PIERCE
▽	01MAR24	SAM	BSE	MODEL
▽	23FEB24	SAM	BSE	

	MANUFACTURING INC.		JOB NO.	41435-01-07	
			SCALE	1:24	
TITLE 1500-D-520P, 500G WATER W/20G FOAM, 124" BODY (2) CROSSLAYS, LADDER BRACKETS, DELUGE, BOOSTER REEL		FOR		DATE	25JAN24
		LONG BEACH FIRE DEPARTMENT LONG BEACH, CALIFORNIA		DRAWN BY	SAM
DWG NO. 41435AD-SH1		REV		CHECKED BY	SMA
		SHEET NO. 1 OF 2		SHEET SIZE	D