

PUMPER BODY

Medium Aluminum 2nd Gen Pumper

CHASSIS

Enforcer Chassis

CHASSIS AXLE, FRONT, CUSTOM

18,000 Lb Tak-4 Axle

AXLE, REAR

24,000 Lb Meritor Axle

ENGINE

510 HP Paccar MX13

TRANSMISSION

Allison 6th Gen, 4000 EVS P

BUMPER

19" Extended Painted Steel

CAB

7010 Enforcer Cab

BODY

WATER TANK

750 Gallon New York Style Water Tank

COMPT, PUMPER, REAR

30.75" FF RollUp Rear Compt

COMPT, PUMPER, DRIVER SIDE

152" RollUp Full Height Front & Rear FDLR

COMPT, PUMPER PASS. SIDE

152" RollUp Full Height Front & Rear FDLR

FIRE SUPPRESSION PUMPHOUSE

48" Control Zone Side Mount

PUMP

2000 GPM Waterous CSU

CROSSLAYS, 1.50"

(2) 1.50" Standard Capacity

CROSSLAYS, 2.50"

(1) 2.50" Standard Capacity

SPEEDLAYS

SpeedLays Not Required

GENERATOR

Generator Not Required

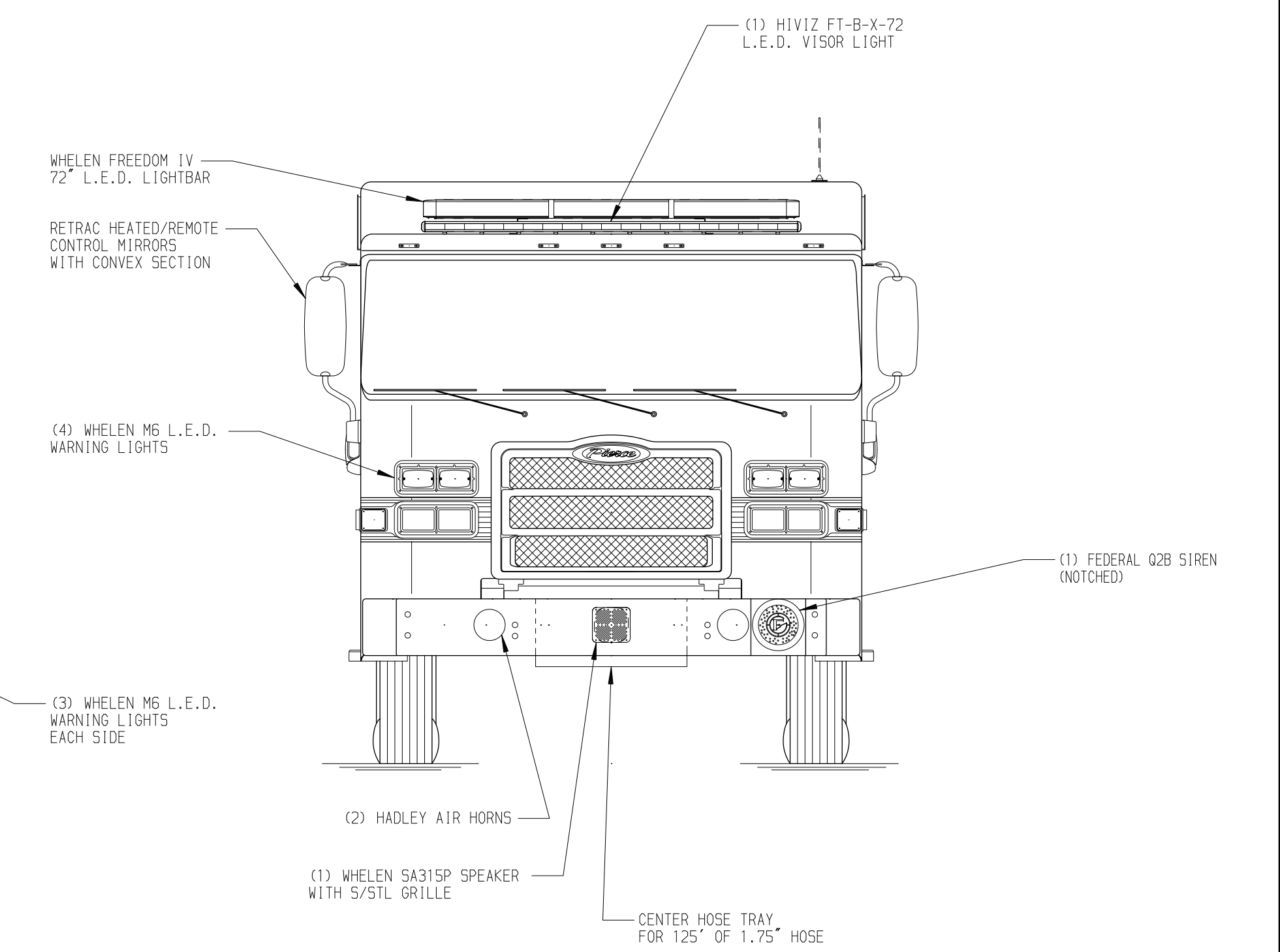
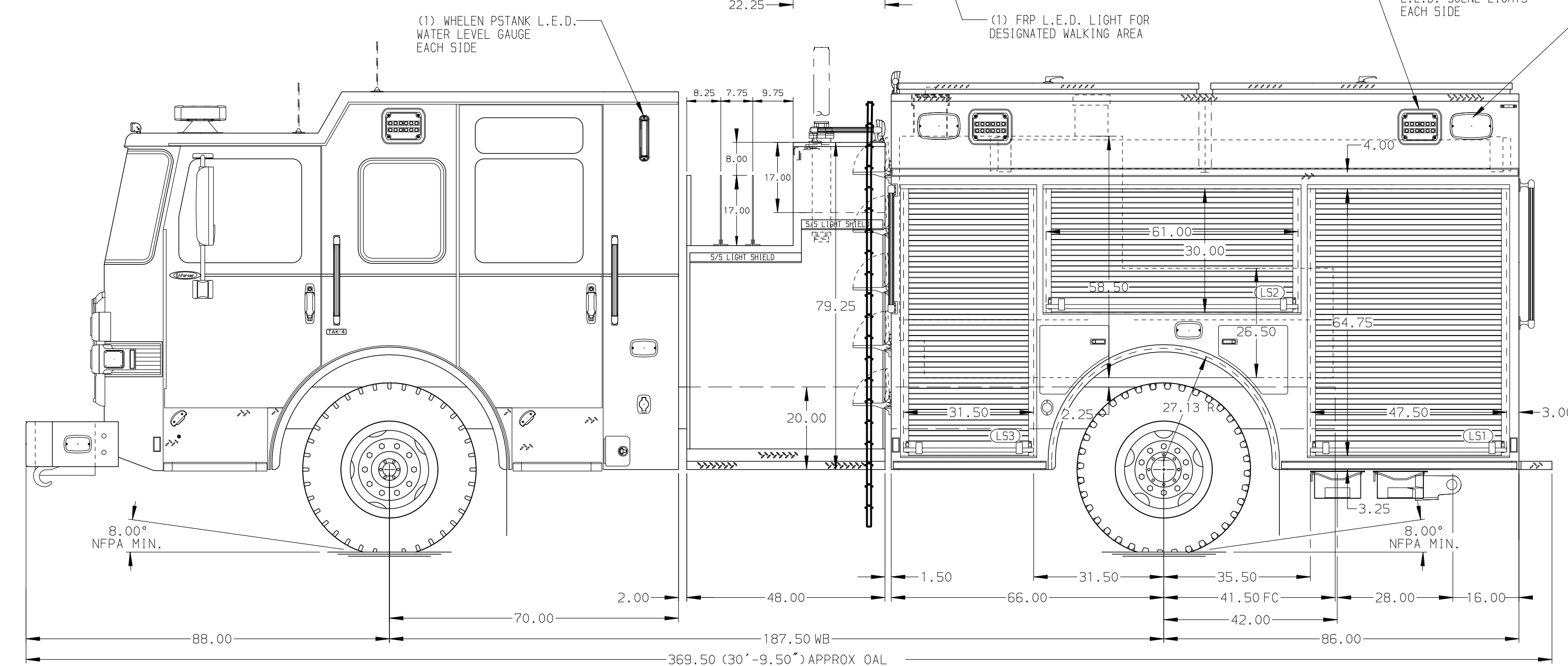
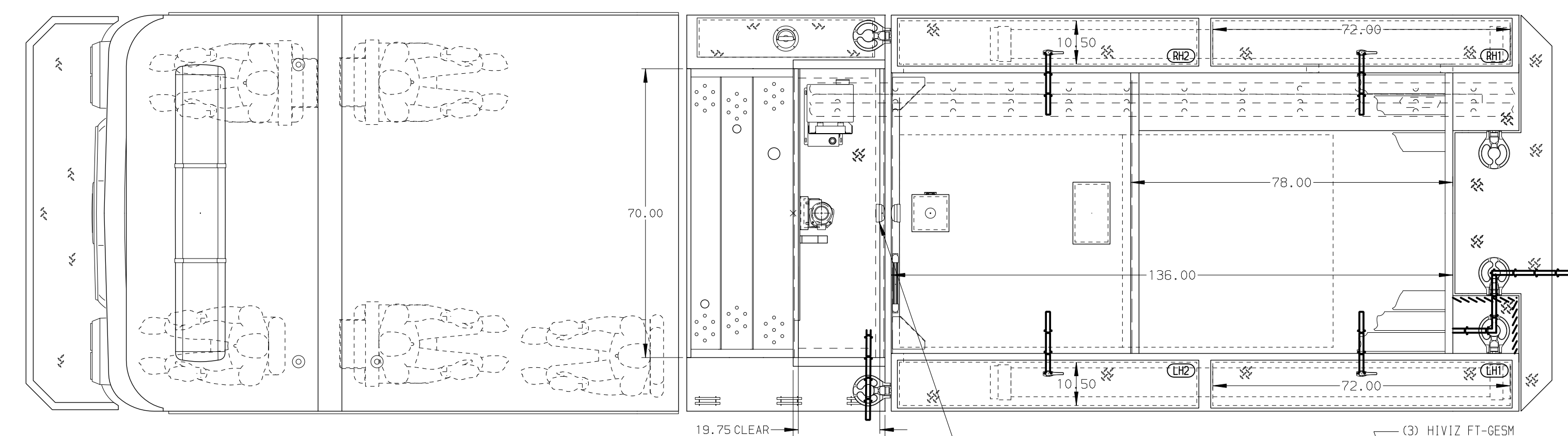
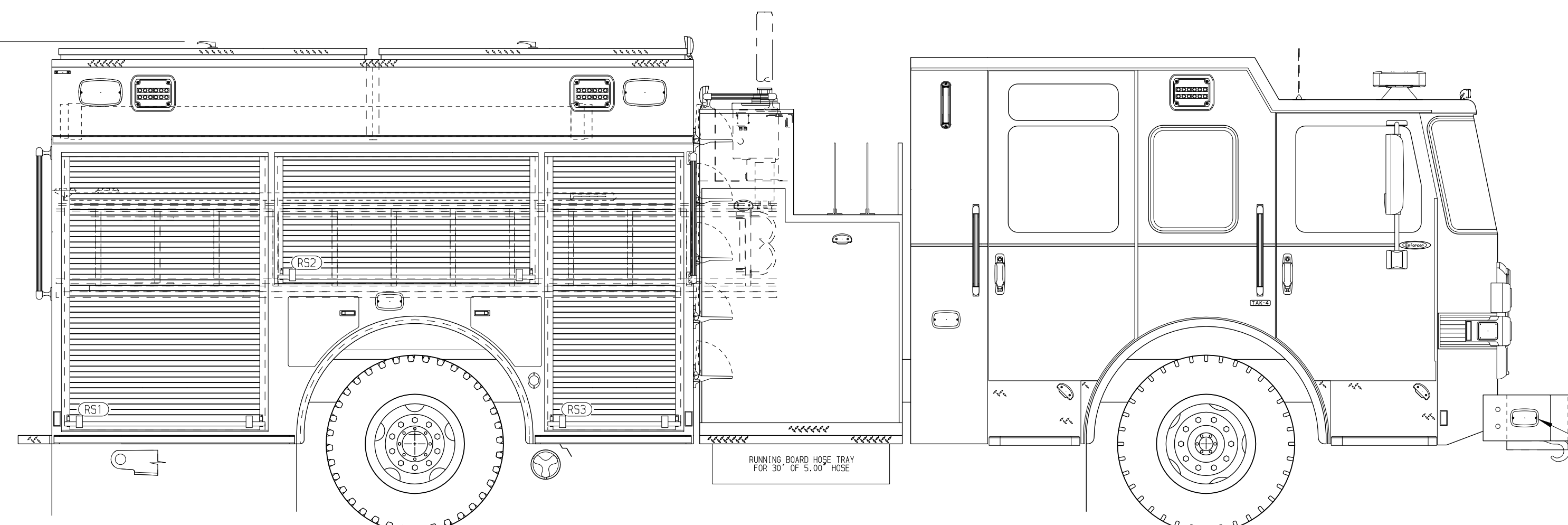
Foam System

Husky 3 Foam System

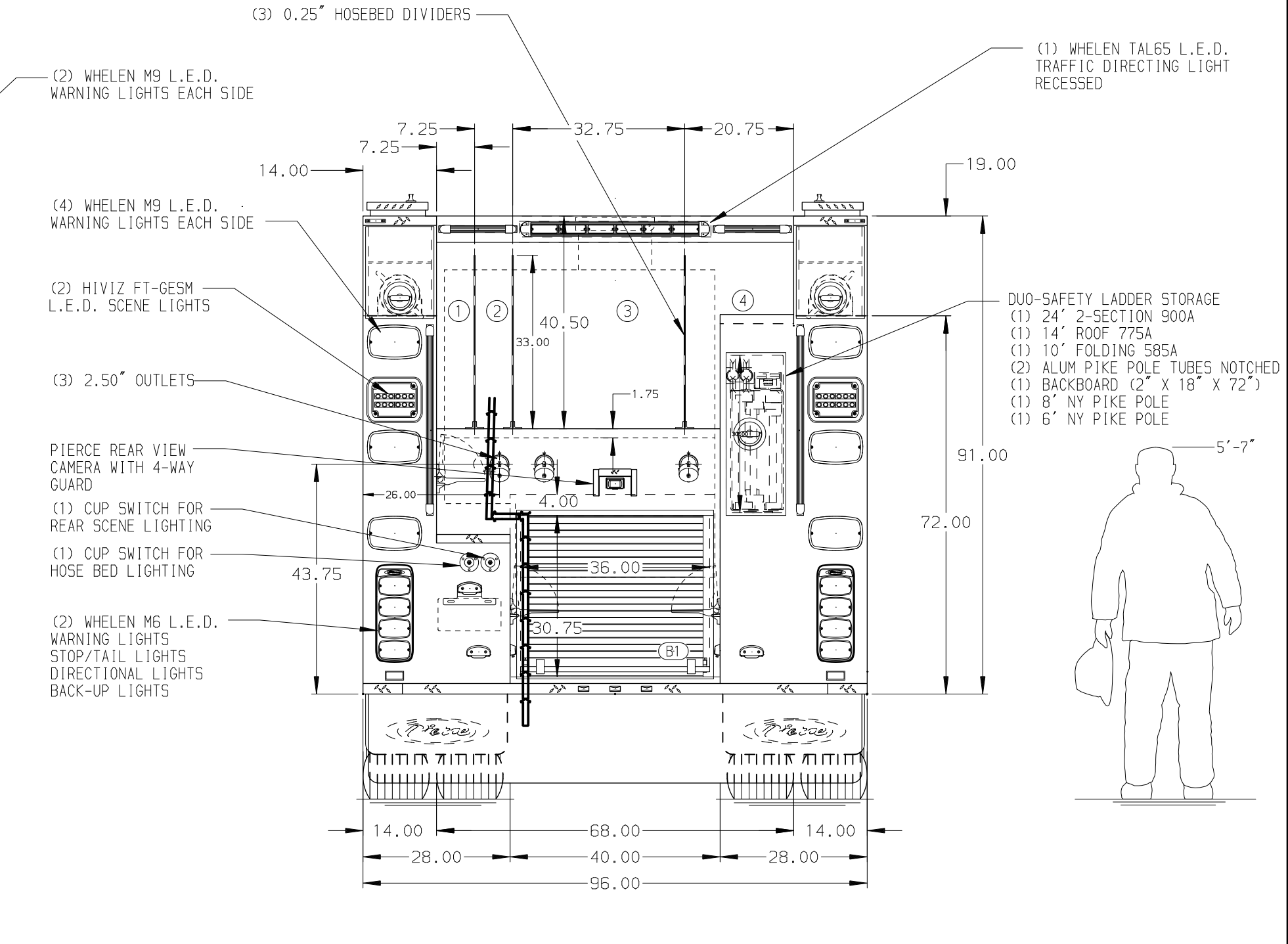
Foam Cell

20 Gallon Foam Cell, Not Reduced Water

119.00 (9'-11") APPROX O.A.H.



HOSEBED CAPACITY	
BED 1	300' OF 1.75" D.J. POLY HOSE
BED 2	300' OF 1.75" D.J. POLY HOSE
BED 3	1000' OF 5.00" D.J. POLY HOSE
BED 4	500' OF 2.50" D.J. POLY HOSE



NOTE
DIMENSIONS SHOWN ARE APPROXIMATE AND ARE SUBJECT TO MINOR DEVIATIONS AS MAY OCCUR OR BE NECESSARY IN CONSTRUCTION. MINOR DETAILS NOT SHOWN.

- ONE 1.50" OUTLET WITH 2.00" PIPING AND SWIVEL LOCATED IN CENTER BUMPER TRAY
- SHORELINE RECEPTACLE WITH KUSHHAUL SUPER AUTO-EJECT LOCATED ON DRIVER SIDE OF CREW CAB
- AIR INLET WITH DISCONNECT COUPLING IN THE DRIVER SIDE STEPWELL
- BATTERY CHARGER LOCATED BEHIND DRIVER'S SEAT
- SEVEN ADJUSTABLE SHELVES IN COMPARTMENTS PER SHOP ORDER
- TWO FLOOR MOUNTED TRAYS LOCATED IN COMPARTMENT PER SHOP ORDER
- ONE SWING-OUT TOOLBOARD LOCATED IN COMPARTMENT PER SHOP ORDER
- ONE ALUMINUM MOUNTING PLATE LOCATED IN COMPARTMENT PER SHOP ORDER
- ONE C-TECH DRAWER ASSEMBLY LOCATED IN COMPARTMENT PER SHOP ORDER

REV	DATE	BY	CH	ENFORCER
17MAY24	AMI	AST		MAKE
03MAY24	MMF	AST		PIERCE
05MAR24	MMF	AST		MODEL

		JOB NO.	41396
		SCALE	DATE
TITLE	Pierce Pumper Approval Drawing	DRAWN BY	AMI
FOR	Columbia Fire Department	CHECKED BY	AST
DWG NO.	41396AD	SHEET SIZE	SHEET NO.
		D	1 OF 1