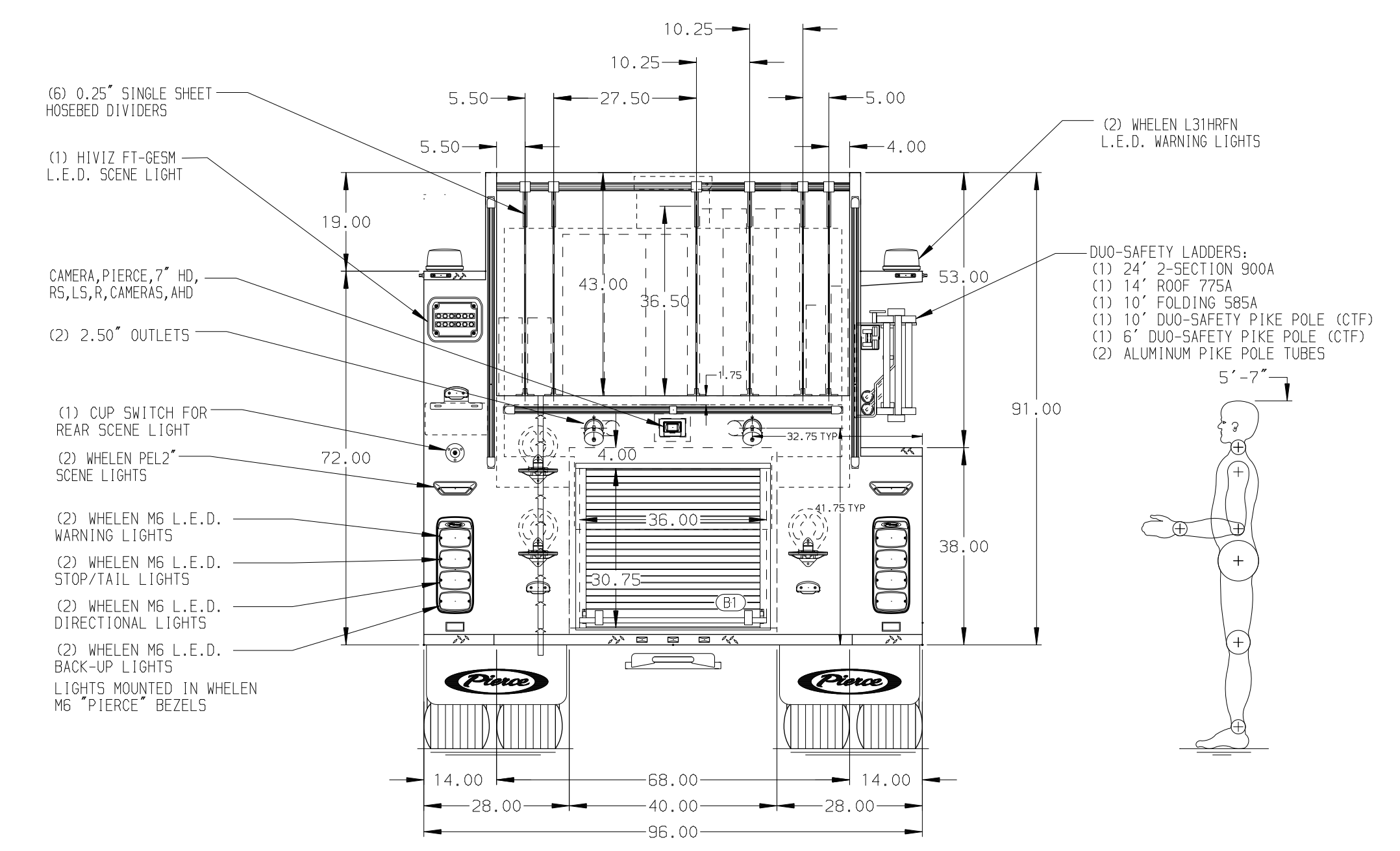
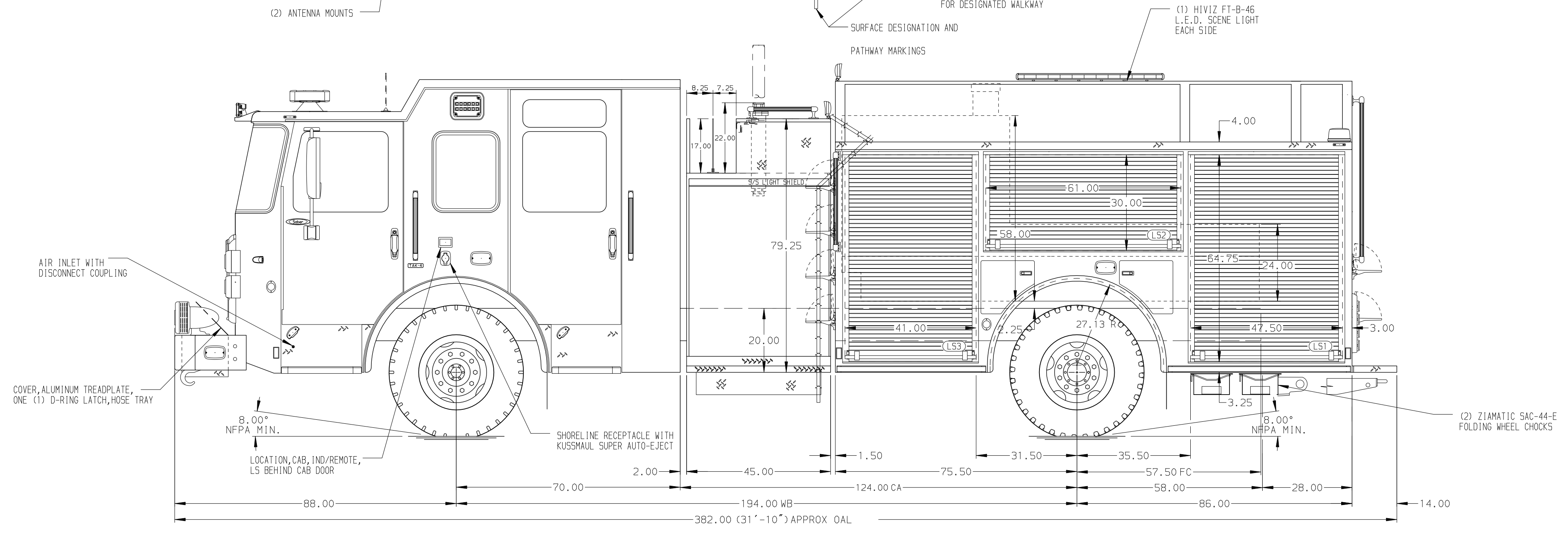


HOSEBED CAPACITIES

①	①	150' OF 2.50\" D.J. HOSE
②	②	150' OF 2.50\" D.J. HOSE
③	③	1000' OF 5.00\" D.J. HOSE
④	④	750' OF 2.50\" D.J. HOSE
⑤	⑤	750' OF 2.50\" D.J. HOSE
⑥	⑥	200' OF 2.00\" D.J. HOSE
⑦	⑦	250' OF 1.75\" D.J. HOSE



ALUMINUM BODY

SIDE ROLL AND FRONTAL IMPACT PROTECTION

NOTE
DIMENSIONS SHOWN ARE APPROXIMATE AND ARE SUBJECT TO MINOR DEVIATIONS AS MAY OCCUR OR BE NECESSARY IN CONSTRUCTION. MINOR DETAILS NOT SHOWN.

CHASSIS DATA	TITLE	1500-D-1000P, 161\"/>
MAKE	FOR	PIERCE FIELD UNIT BRADENTON, FLORIDA
MODEL	DWG NO.	41197AD
SABER FR	REV	

Pierce MANUFACTURING INC.		JOB NO.	41197
		SCALE	1:24
		DATE	14SEP23
		DRAWN BY	RHU
		CHECKED BY	JAP
		SHEET SIZE	D
		SHEET NO.	1 OF 1