

PUMPER BODY

Long Aluminum 2nd Gen Pumper

CHASSIS

Sober FR Chassis

CHASSIS AXLE, FRONT, CUSTOM

18,000 Lb Dana Axle

AXLE, REAR

27,000 Lb Dana Axle

ENGINE

450 HP Cummins L9 Engine

TRANSMISSION

Allison 6th Gen, 3000 EVS P

BUMPER

19" Extended Polished Steel

CAB

7010 Sober FR Cab

BODY

TOTAL TANK CAPACITY

1000 Gallon Poly Tank

WATER CAPACITY

980 Gallons of Water

FOAM CELL

20 Gallon Foam Cell

COMPT, PUMPER, REAR

30.75" FF RollUp Rear Compt

COMPT, PUMPER, LEFT SIDE

161" RollUp Full Height Front & Rear FDLER

COMPT, PUMPER, RIGHT SIDE

161" RollUp Full Height Front & Rear FDLER

FIRE SUPPRESSION PUMPHOUSE

45" Control Zone Side Mount

PUMP

1500 GPM Waterous CSU

CROSSLAYS, 1.50"

(2) 1.50" Standard Capacity

CROSSLAYS, 2.50"

Not Required

SPEEDLAYS

SpeedLays Not Required

GENERATOR

Generator Not Required

FOAM SYSTEM

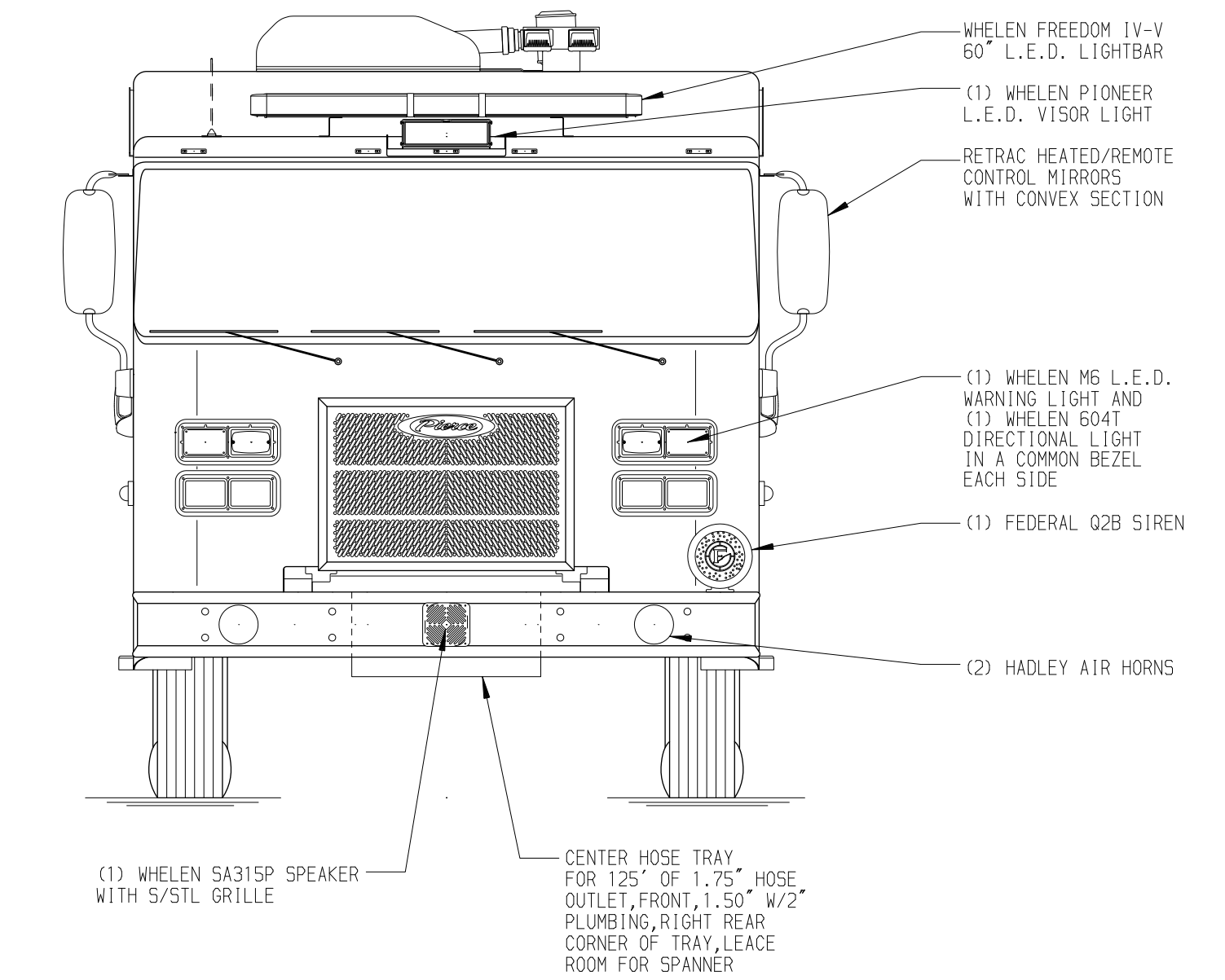
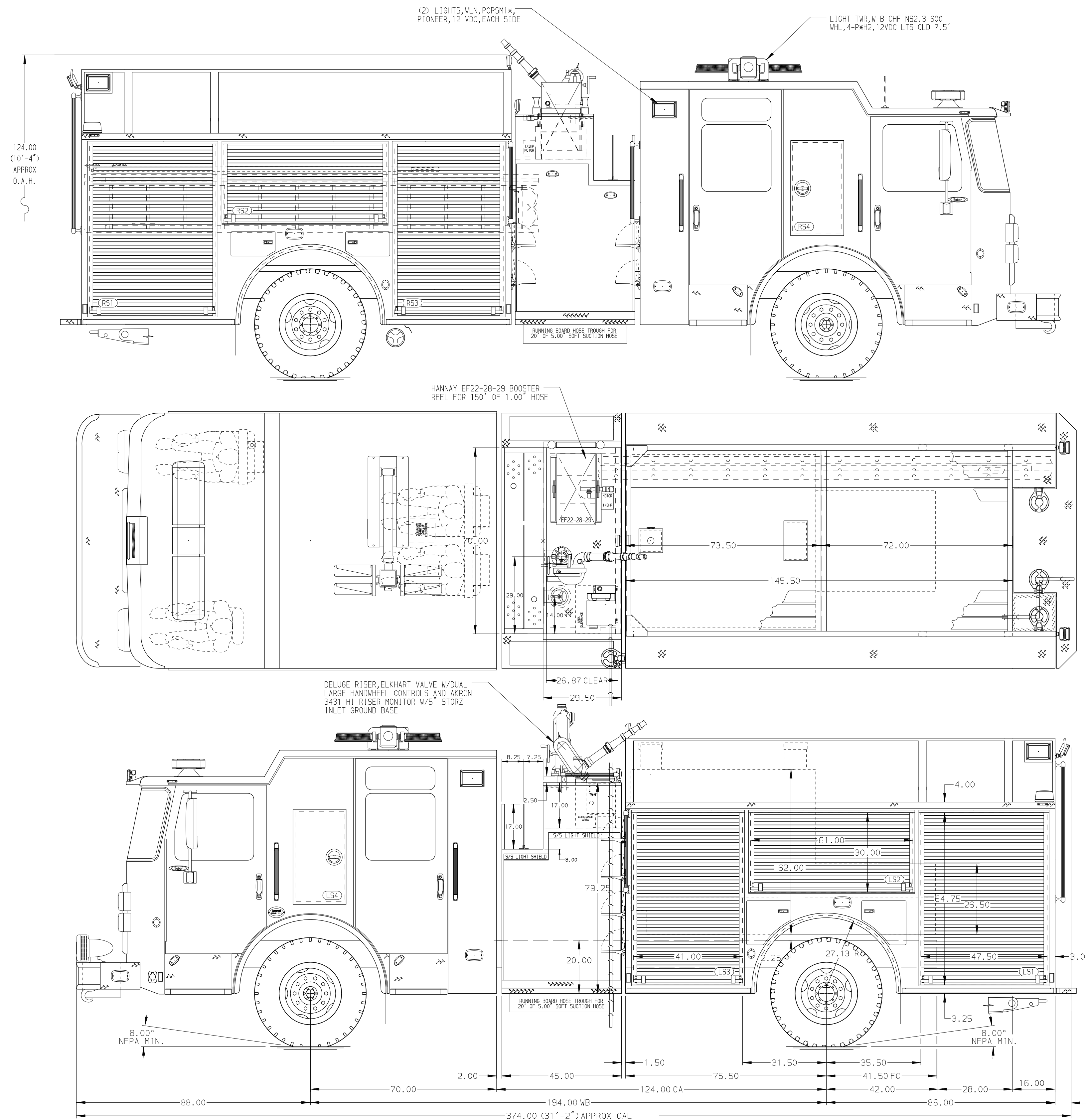
Husky 3 System

SAFETY

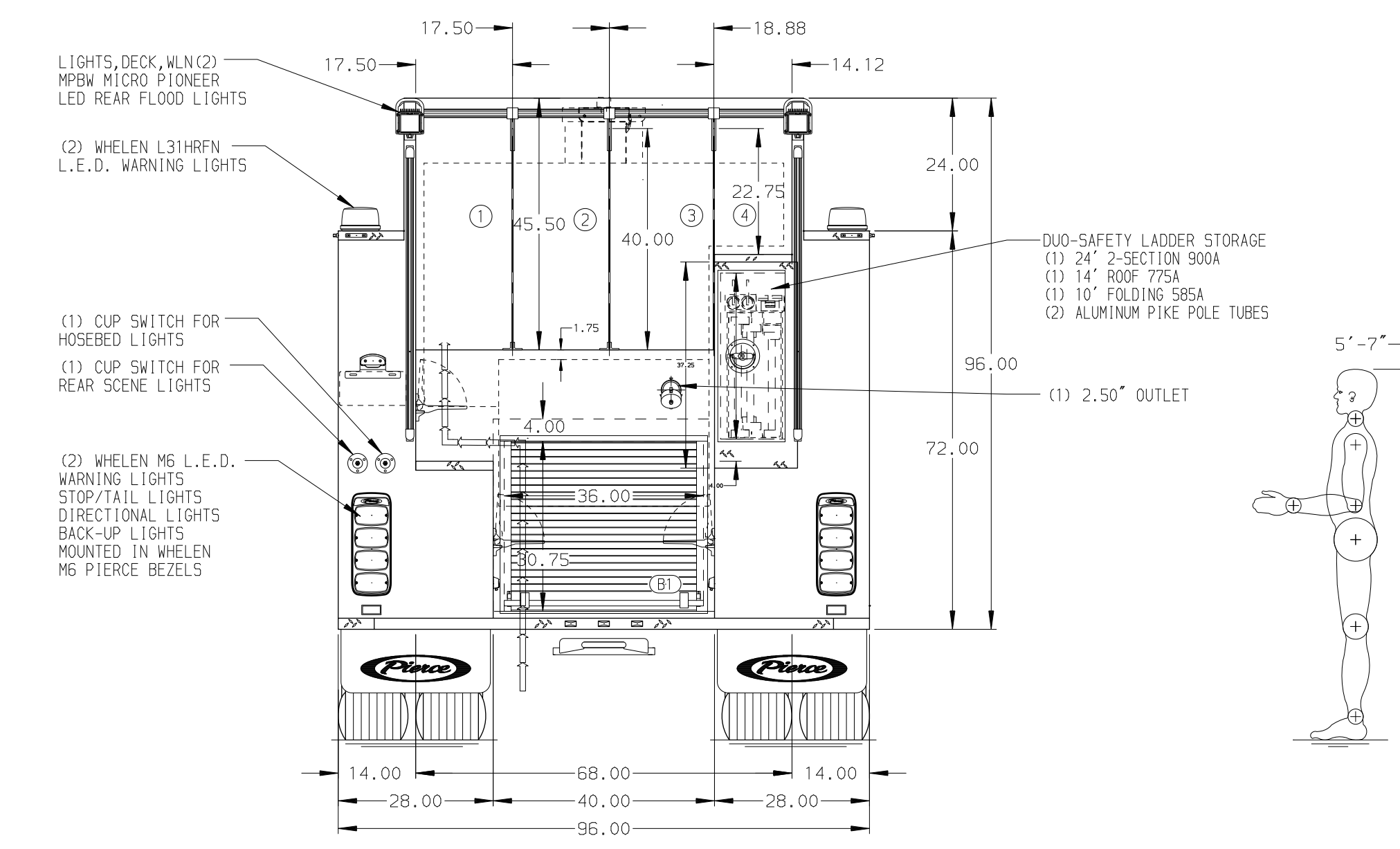
Frontal Impact Protection

NOTE

DIMENSIONS SHOWN ARE APPROXIMATE AND ARE SUBJECT TO MINOR DEVIATIONS AS MAY OCCUR OR BE NECESSARY IN CONSTRUCTION. MINOR DETAILS NOT SHOWN.



| HOSEBED CAPACITY | |
|------------------|------------------------------|
| BED 1 | 500' OF 5.00" D.J. POLY HOSE |
| BED 2 | 500' OF 5.00" D.J. POLY HOSE |
| BED 3 | 750' OF 3.00" D.J. POLY HOSE |
| BED 4 | 250' OF 3.00" D.J. POLY HOSE |



| | | | | | | | |
|---------|---------|-----|-----|----------|---------|--------------------------------|-----------|
| | | | | | | JOB NO. | 40893 |
| | | | | | | SCALE | DATE |
| | | | | TITLE | | Pierce Pumper Approval Drawing | |
| | | | | MAKE | | | |
| | | | | MODEL | | | |
| REV | DATE | BY | CH | SABER FR | FOR | Harper Fire Department | |
| 25JUL24 | 08MAY24 | WHO | RHU | CCS | DWG NO. | 40893AD | |
| | | | | | | CHECKED BY | 29JAN24 |
| | | | | | | SHEET SIZE | SHEET NO. |
| | | | | | | D | 1 OF 1 |