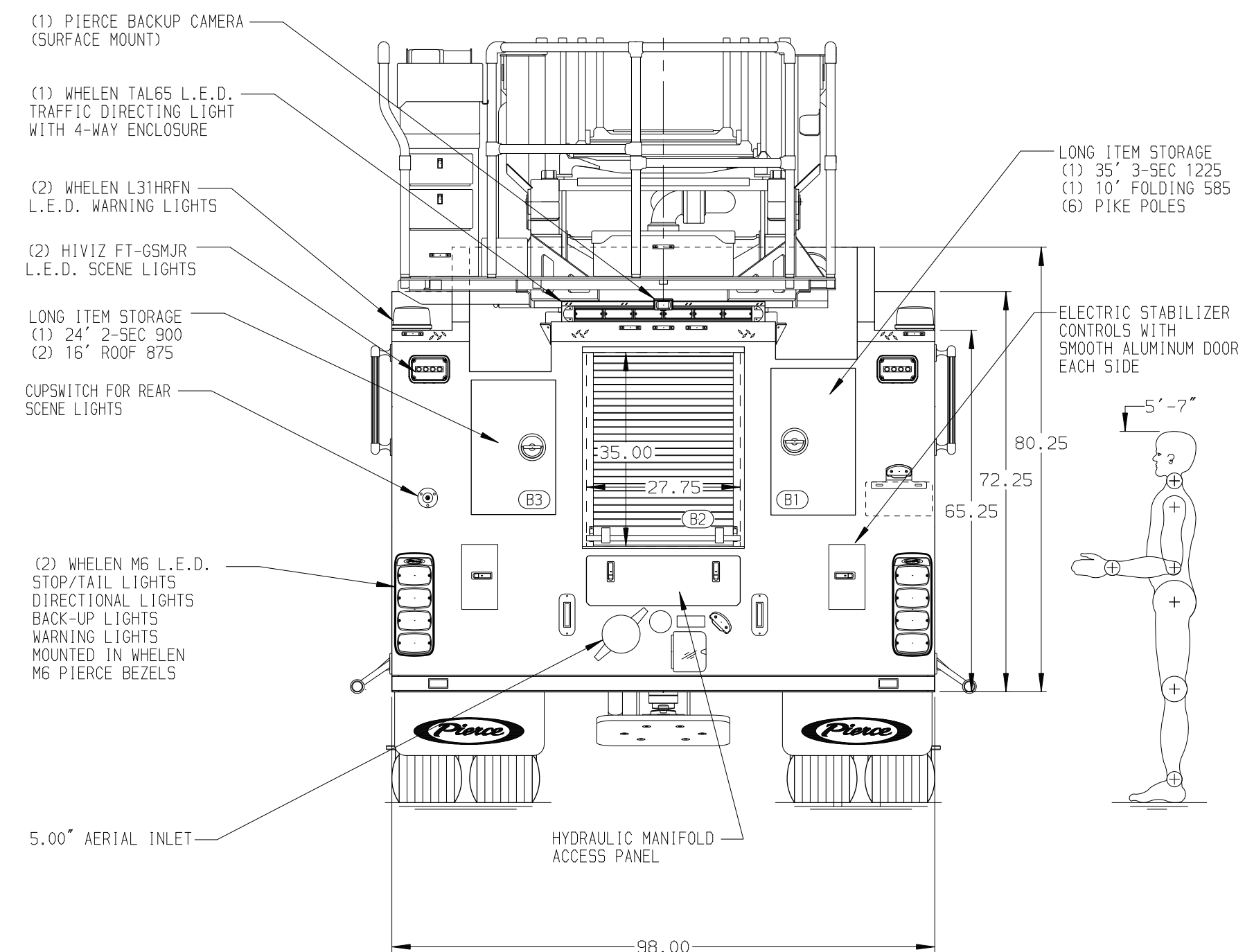
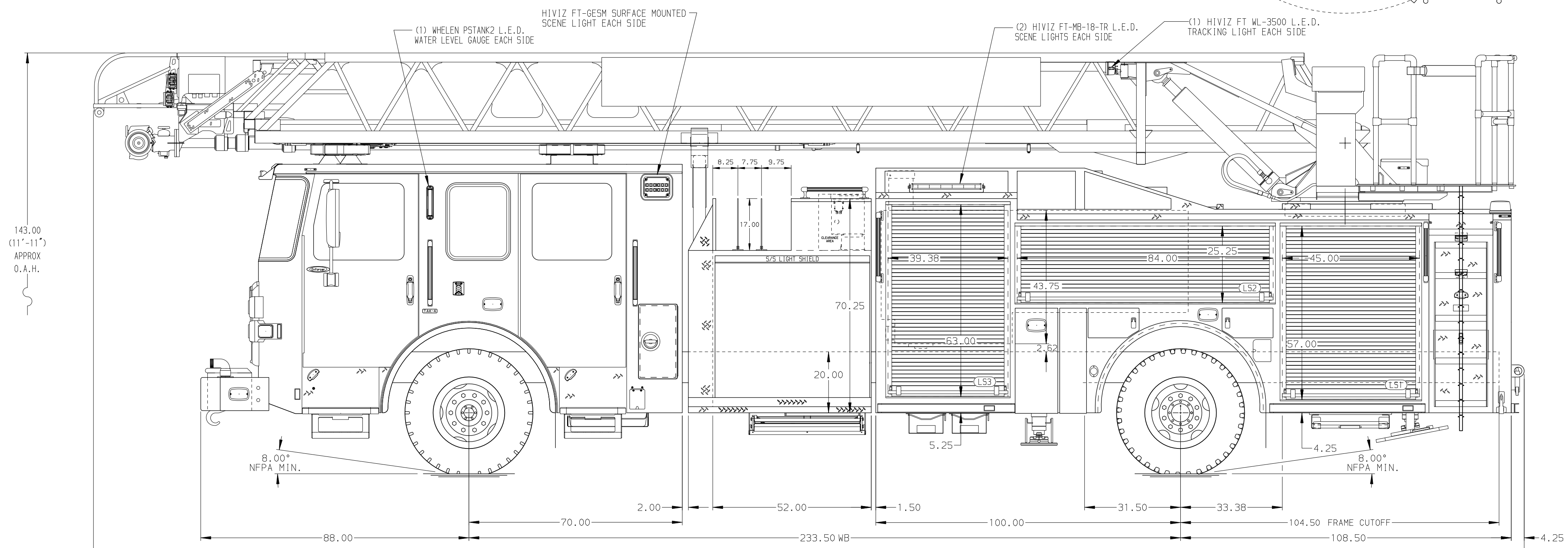


| | |
|--|--|
| BODY 107' ASL Aluminum Body | TOTAL TANK CAPACITY 500 Gallon Poly Tank |
| COMPT, LEFT SIDE FRONT Full Height RollUp Forward | WATER CAPACITY 480 Gallons of Water |
| COMPT, LEFT SIDE REAR Full Height RollUp Rearward | FOAM CELL CAPACITY 20 Gallon Foam Cell |
| COMPT, RIGHT SIDE FRONT Full Height RollUp Forward | FOAM SYSTEM Husky 3 Single Agent Foam System |
| COMPT, RIGHT SIDE REAR Full Height RollUp Rearward | |



| | | | | | | | |
|--|---|--|--|---|--|--|--|
| CHASSIS Enforcer Chassis | CAB 7000 Enforcer Cab | AXLE, FRONT, CUSTOM 22,800 Lb TAK-4 Axle | TRANSMISSION Allison 6th Gen, 4000 EV5 P | PUMPHOUSE 52" Control Zone Side Mount | CROSSLAYS, 1.50" (2) 1.50" Standard Capacity | SPEEDLAYS Speedlays Not Required | SAFETY Side Roll and Frontal Impact Protection |
| ENGINE 510 HP Paccor MX13 Engine | BUMPER 19" Extended Painted Steel | AXLE, REAR 33,500 Lb Meritor Axle | | PUMP 2000 GPM Waterous CSU | CROSSLAYS, 2.50" (1) 2.50" Standard Capacity | GENERATOR Generator Not Required | |

| | | | |
|----------------------------------|--|------------|---------|
| Pierce MANUFACTURING INC. | | JOB NO. | 40687 |
| | | SCALE | 1:24 |
| | | DATE | 09JAN24 |
| TITLE | | DRAWN BY | LWE |
| FOR | | CHECKED BY | NAK |
| DWG NO. | | SHEET SIZE | D |
| 40687AD | | SHEET NO. | 1 OF 1 |

| | | |
|--|---|--|
| NOTE DIMENSIONS SHOWN ARE APPROXIMATE AND ARE SUBJECT TO MINOR DEVIATIONS AS MAY OCCUR OR BE NECESSARY IN CONSTRUCTION. MINOR DETAILS NOT SHOWN. | 1. NO LIMITED RETRACTION REQUIRED 2. ONE SWING-OUT TOOLBOARD PER ORDER 3. SHORELINE RECEPTACLE WITH SHURE-EJECT LOCATED ON DRIVER SIDE OF THE CAB 4. AIR INLET WITH DISCONNECT COUPLING IN THE DRIVER SIDE STEPWELL 5. BATTERY CHARGER LOCATED PER ORDER 6. BATTERY CHARGE INDICATOR LOCATED ON DRIVER SEAT RISER 7. EIGHT ADJ. SHELVES PER ORDER 8. ONE FLOOR MOUNTED SLIDE-OUT TRAY PER ORDER 9. NON-RAISED AERIAL PEDESTAL 10. LIFTING EYE ROPE RESCUE ATTACHMENT AT AERIAL TIP | 11. 1500 GPM HIGH FLOW WATERWAY 12. DC POWER TO AERIAL TIP 13. RING LIGHTING ON AERIAL PER ORDER 14. THREE 120V RECEPTACLES PER ORDER 15. TWO VERTICAL PARTITION PER ORDER |
|--|---|--|

| | | | | |
|---------|------|-----|--------|----------|
| REV | DATE | BY | CH | ENFORCER |
| 11SEP24 | LWE | ZWE | MAKE | |
| 02APR24 | LWE | CSH | PIERCE | |
| 02APR24 | LWE | CSH | MODEL | |