

PUMPER BODY

Short Aluminum 2nd Gen Pumper

CHASSIS

Saber FR Chassis

CHASSIS AXLE, FRONT, CUSTOM

18,000 lb Meritor Axle

AXLE, REAR

24,000 lb Meritor Axle

ENGINE

450 HP Cummins L9 Engine

TRANSMISSION

Allison 6th Gen, 3000 EVS P

BUMPER

22" Extended Painted Steel

CAB

7000 Saber FR Cab

BODY

TOTAL TANK CAPACITY

750 Gallon New York Style Poly Tank

WATER CAPACITY

750 Gallons of Water

FOAM CELL

Foam Cell Not Required

COMPT, PUMPER, REAR

30.75" FF RollUp Rear Compt

COMPT, PUMPER, LEFT SIDE

145" Lap Full Height Front & Rear FDLER

COMPT, PUMPER, RIGHT SIDE

145" Lap Low FDLER

FIRE SUPPRESSION PUMPHOUSE

45" Control Zone Side Mount

PUMP

1500 GPM Waterous CSU

CROSSLAYS, 1.50"

(2) 1.50" Standard Capacity

CROSSLAYS, 2.50"

2.50" Crosslay Not Required

SPEEDLAYS

SpeedLays Not Required

GENERATOR

Generator Not Required

FOAM SYSTEM

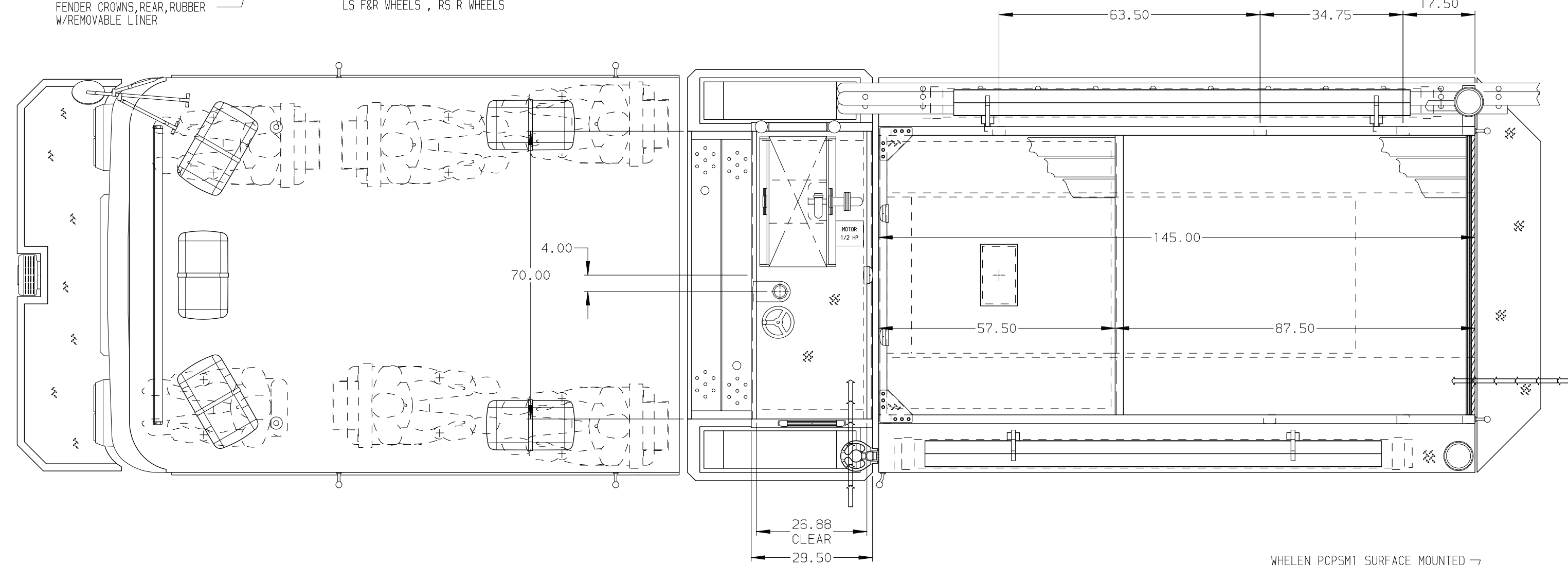
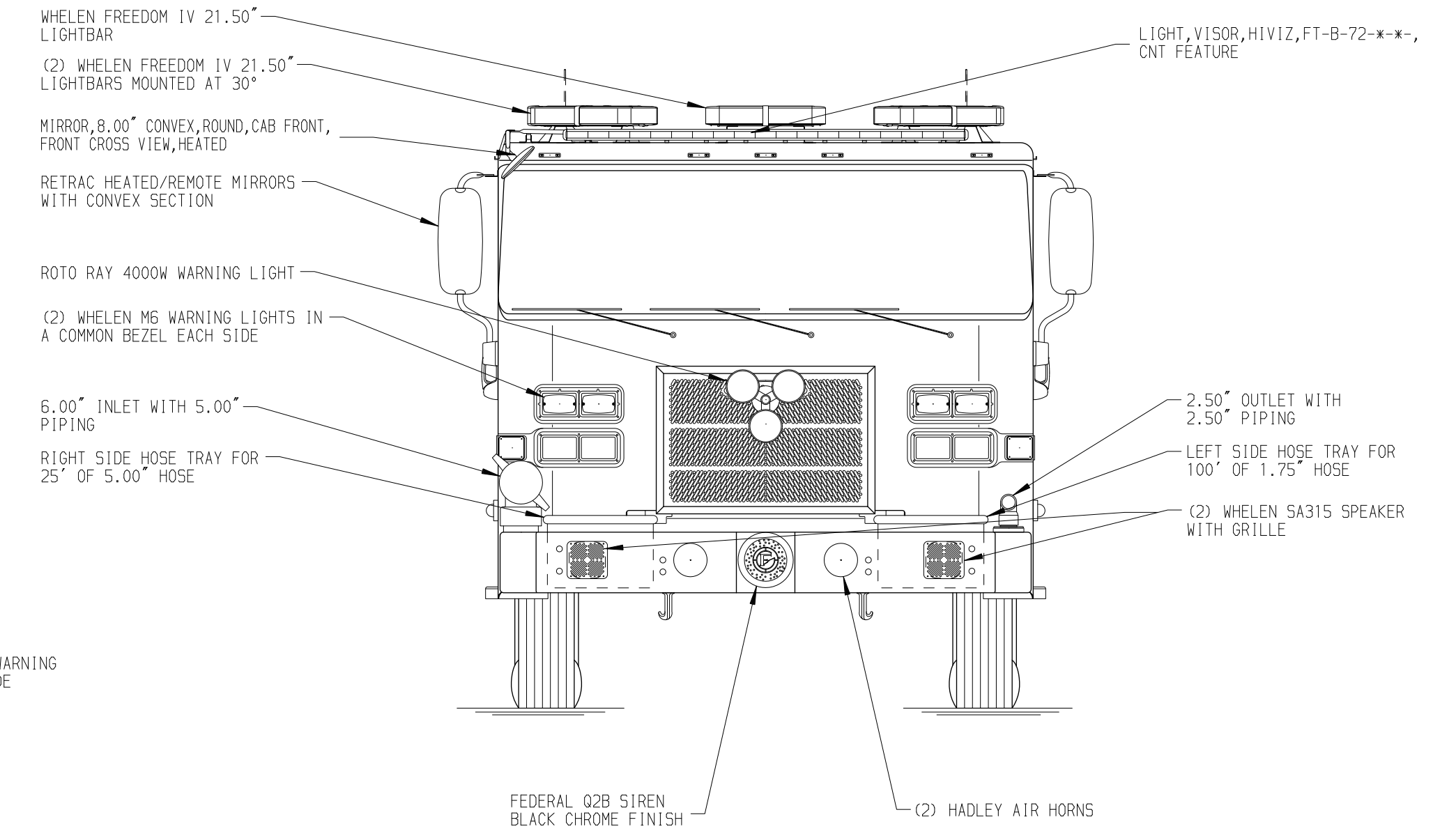
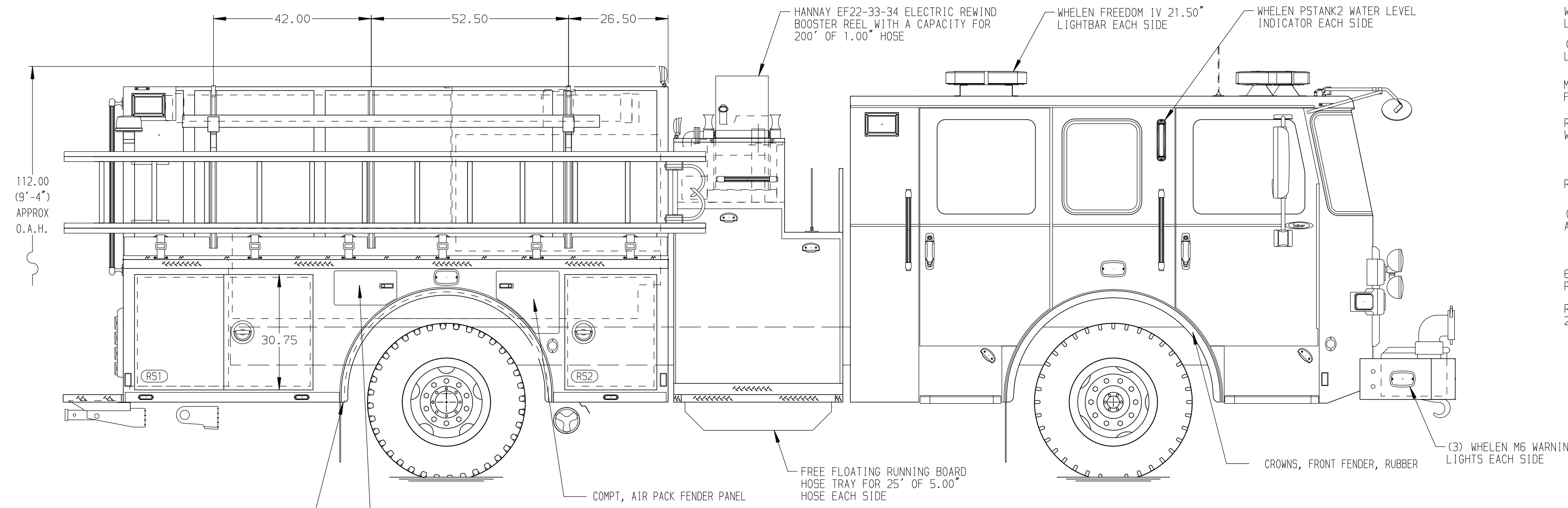
Foam System Not Required

SAFETY

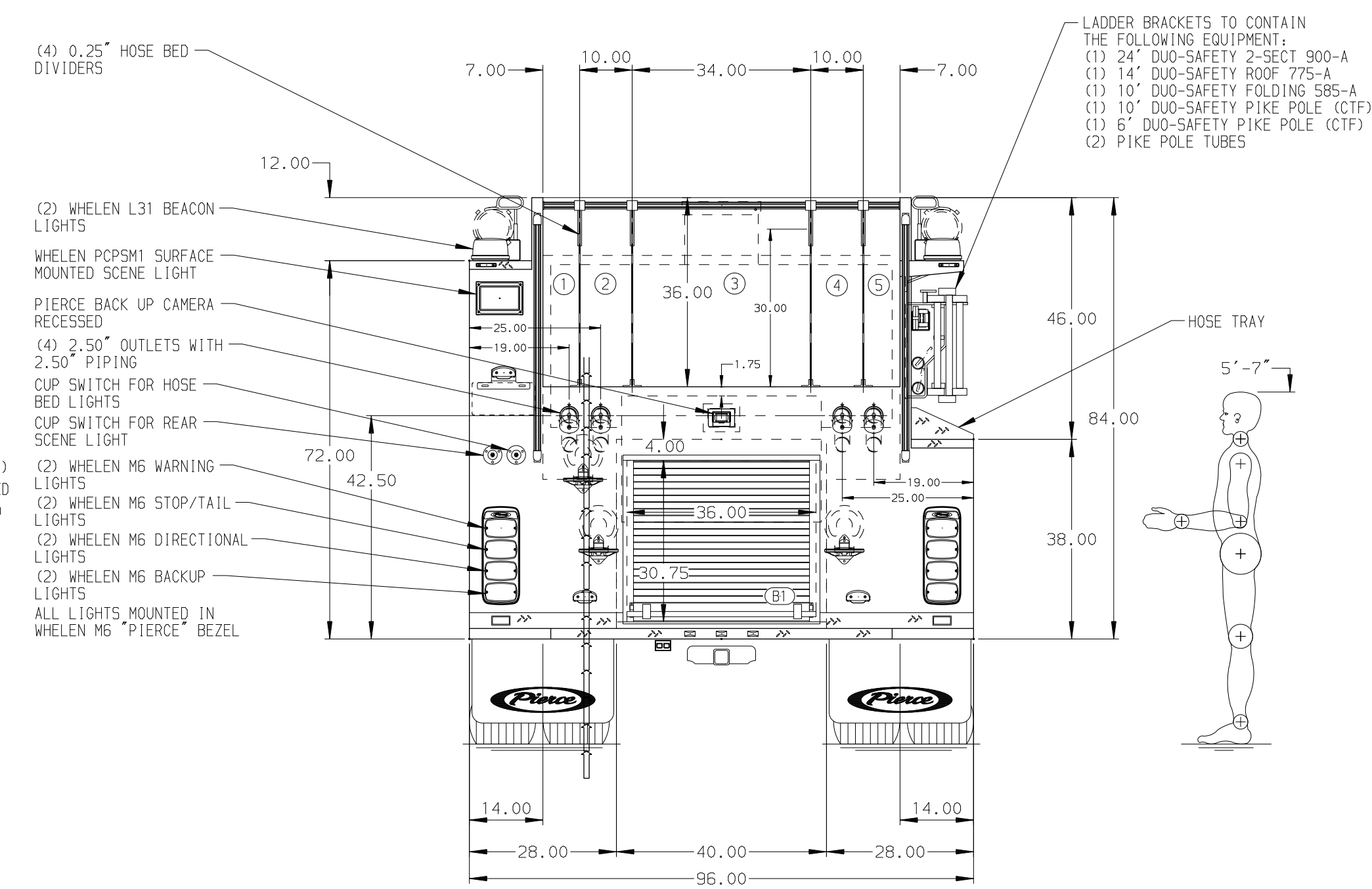
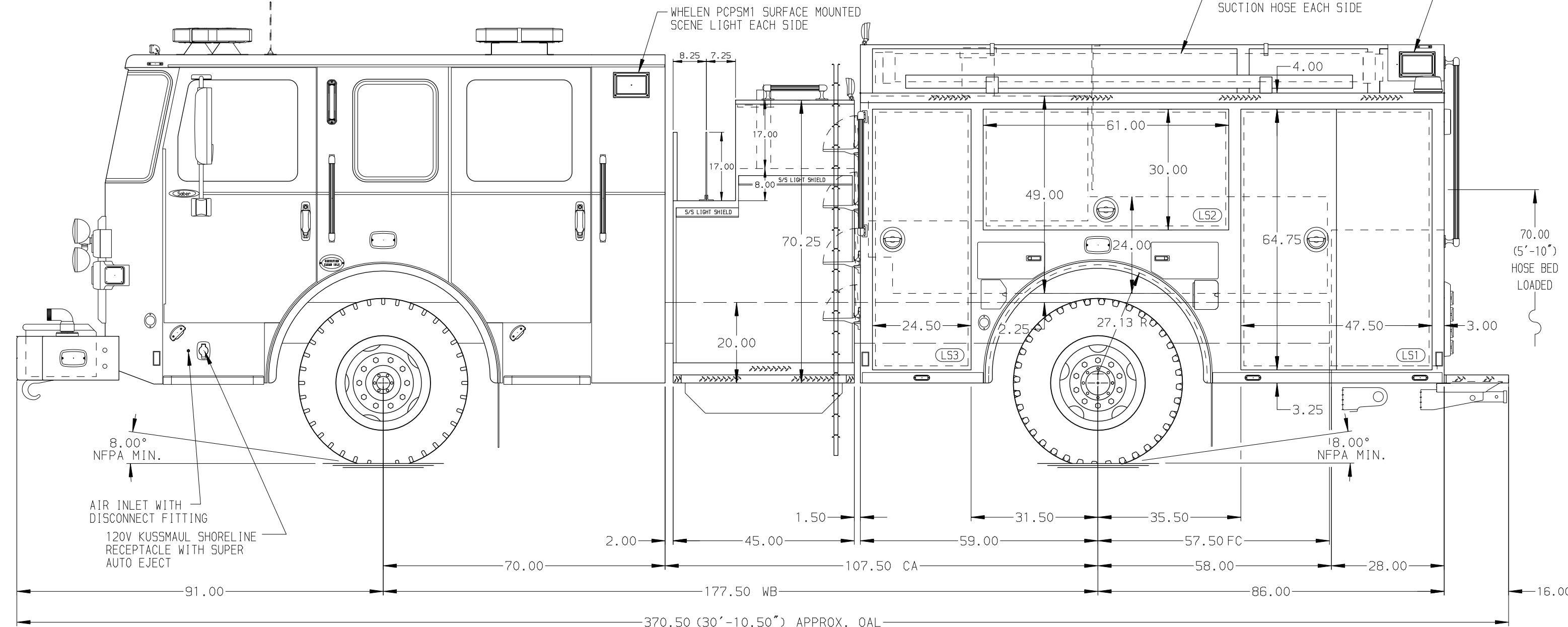
Side Roll and Frontal Impact Protection

NOTE
DIMENSIONS SHOWN ARE APPROXIMATE AND ARE SUBJECT TO MINOR DEVIATIONS AS MAY OCCUR OR BE NECESSARY IN CONSTRUCTION. MINOR DETAILS NOT SHOWN.

- 1. BATTERY CHARGER LOCATED PER ORDER
- 2. BATTERY CHARGER INDICATOR LOCATED PER ORDER
- 3. FOUR FULL WIDTH/DEPTH ADJUSTABLE SHELVES WITH SIDES LOCATED PER ORDER



HOSEBED CAPACITY	
BED 1	200' OF 1.75" D.J. POLY HOSE
BED 2	200' OF 2.50" D.J. POLY HOSE
BED 3	1000' OF 5.00" D.J. POLY HOSE
BED 4	200' OF 2.50" D.J. POLY HOSE
BED 5	200' OF 1.75" D.J. POLY HOSE



	JOB NO.	40685
	SCALE	DATE
TITLE	Pierce Pumper Approval Drawing	DRAWN BY
FOR	Mount Holly Fire Department Mount Holly, North Carolina	BST
DWG NO.	40685AD	CHECKED BY
		MMF
		SHEET SIZE
		SHEET NO.
		D
		1 OF 1

REV	DATE	BY	CH	SABER FR
23MAY24	RHU	NAS		
15MAR24	WHO	NAS		