

PUMPER BODY
MEDIUM Aluminum 2nd Gen Pumper

CHASSIS
Sober FR Chassis

CHASSIS AXLE, FRONT, CUSTOM
20,000 Lb Dana Axle

AXLE, REAR
27,000 Lb Dana Axle

ENGINE
380 HP Cummins L9 Engine

TRANSMISSION
Allison 6th Gen, 3000 EVS P

BUMPER
19" Extended Painted Steel

CAB
6010 Sober FR Cab

BODY TOTAL TANK CAPACITY
1000 Gallon Poly Tank

WATER CAPACITY
1000 Gallons of Water

FOAM CELL
Foam Cell Not Required

COMPT, PUMPER, REAR
30.75" FF RollUp Rear Compt

COMPT, PUMPER, LEFT SIDE
152" Lap Full Height Front & Rear FDLER

COMPT, PUMPER, RIGHT SIDE
125" Lap Low FDLER

FIRE SUPPRESSION PUMPHOUSE
45" Control Zone Side Mount

PUMP
1500 GPM Darley PSM

CROSSLAYS, 1.50"
(2) 1.50" Standard Capacity

CROSSLAYS, 2.50"
(1) 2.50" Standard Capacity

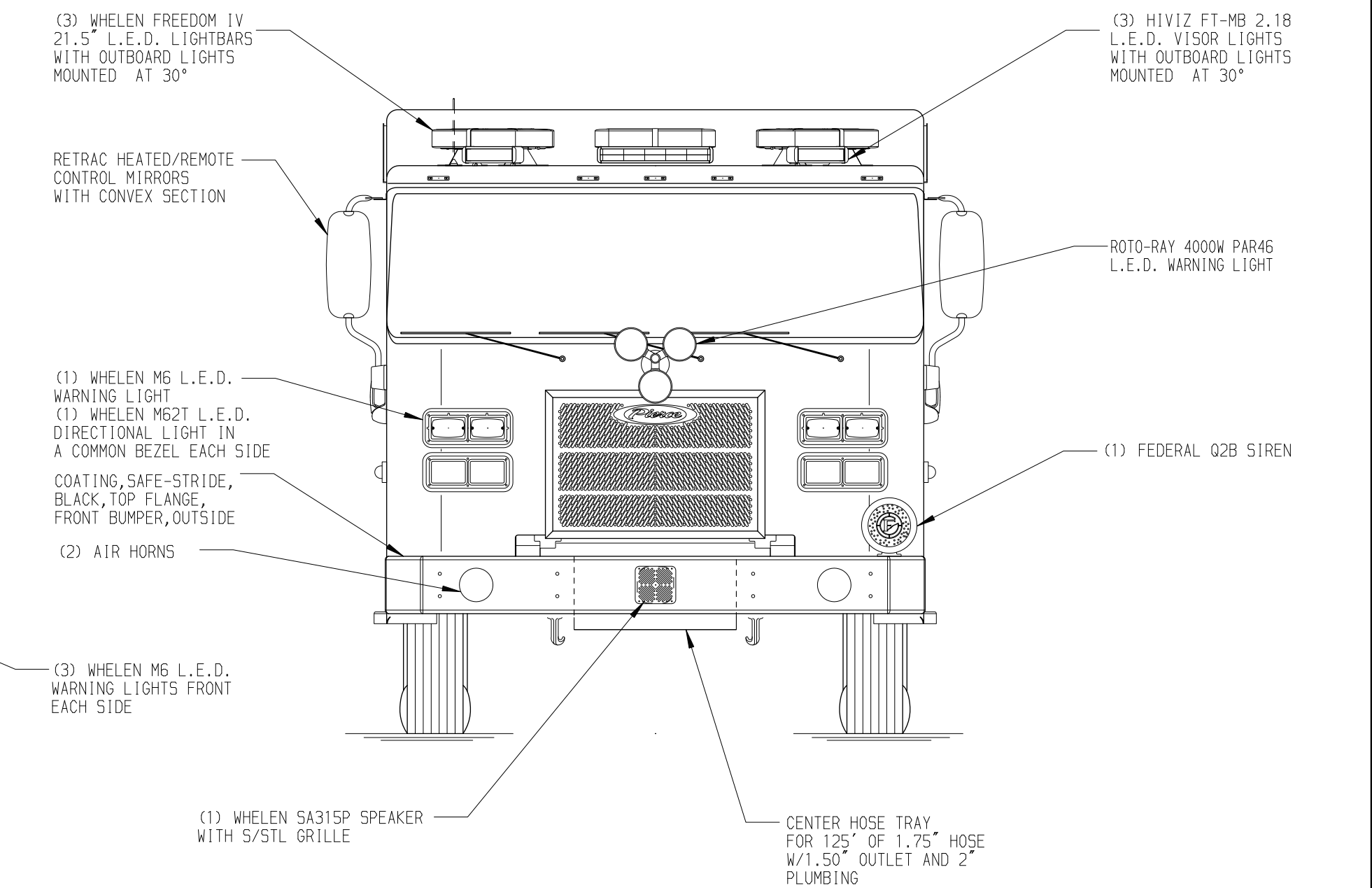
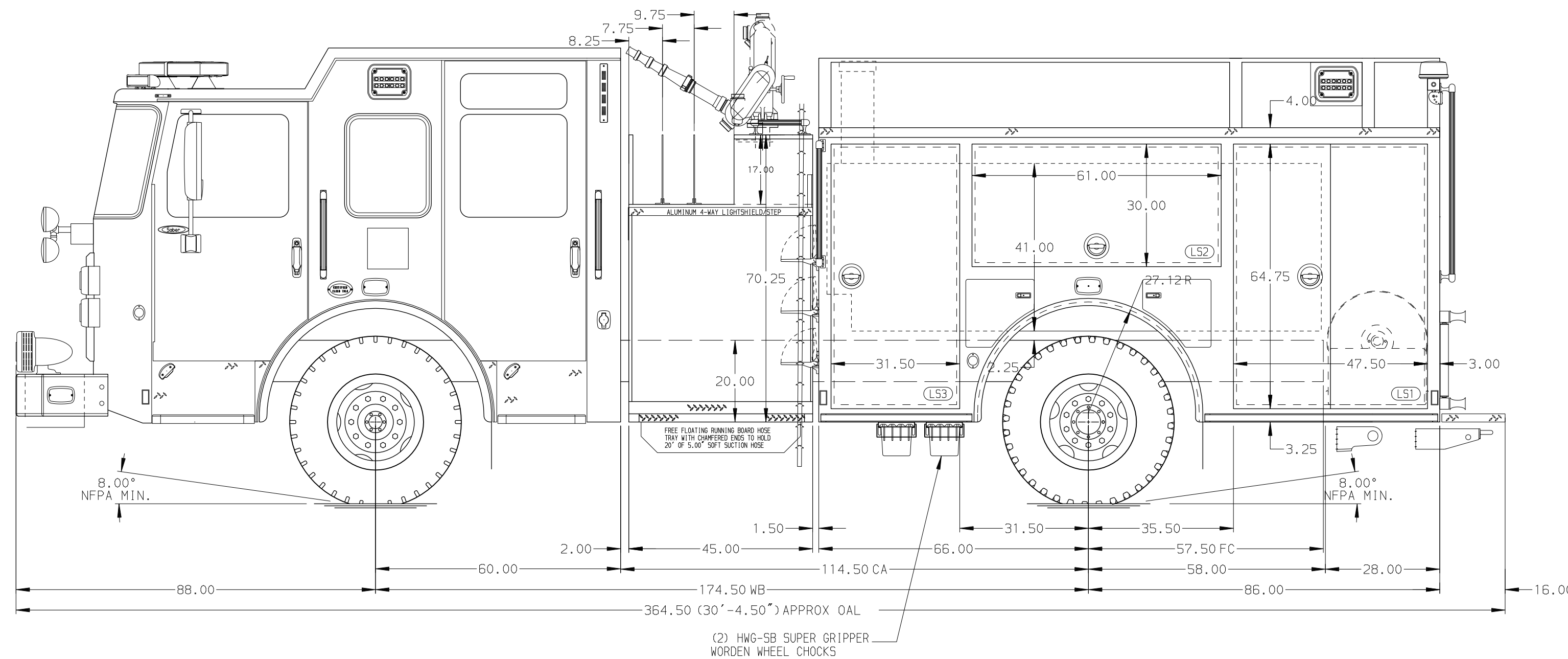
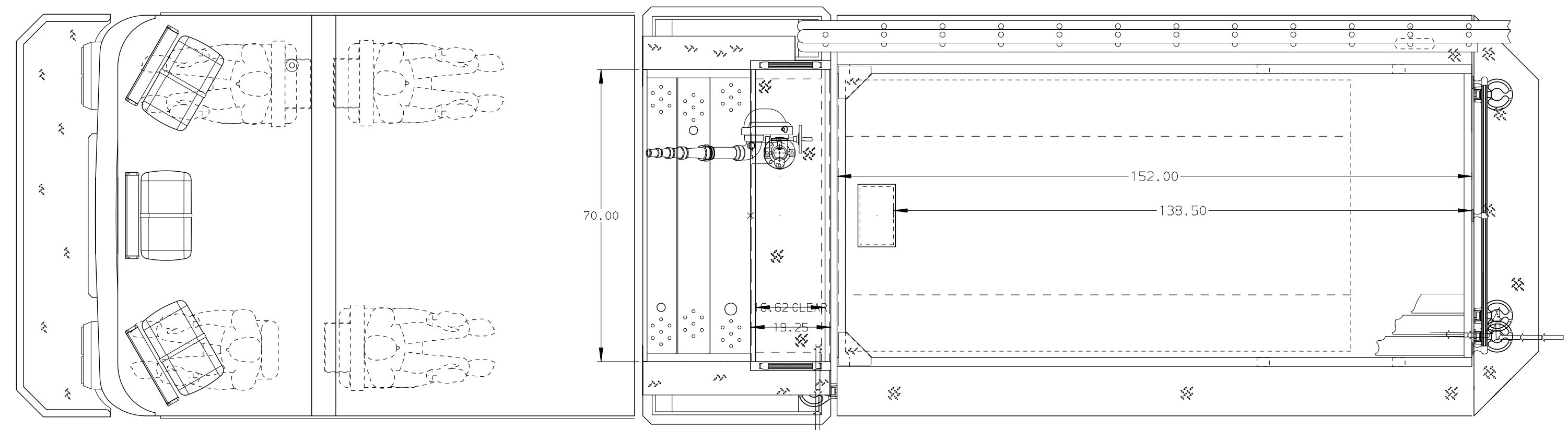
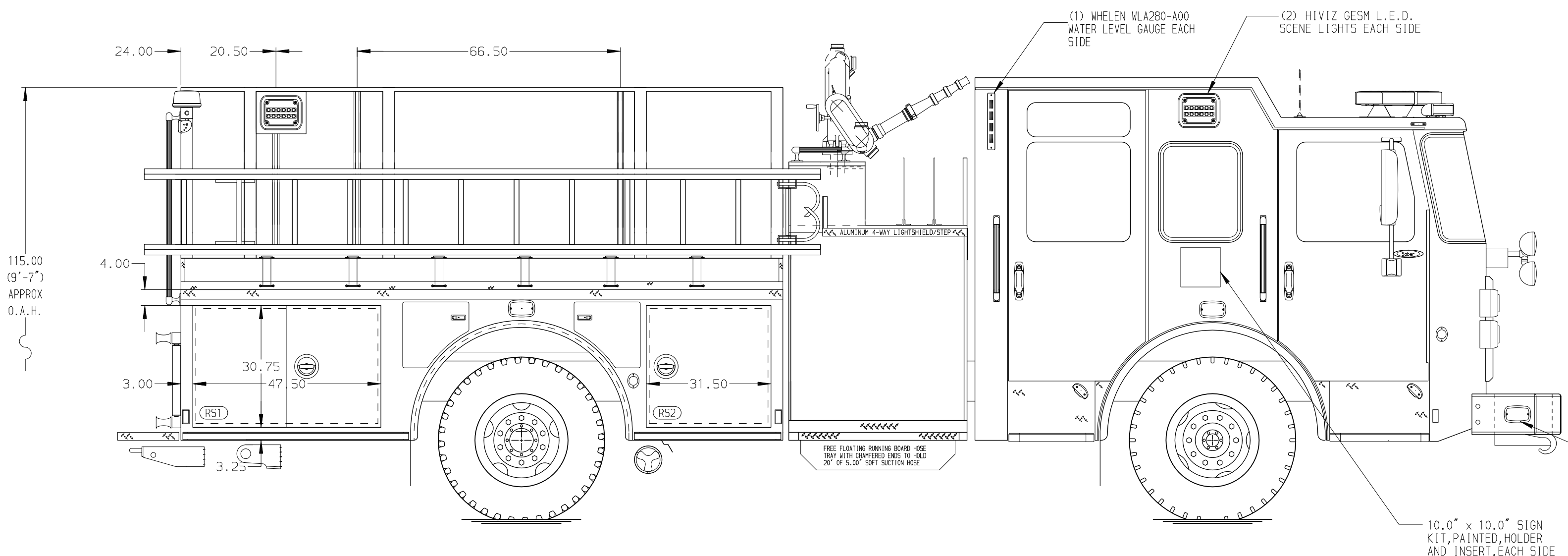
SPEEDLAYS
SpeedLays Not Required

GENERATOR
Generator Not Required

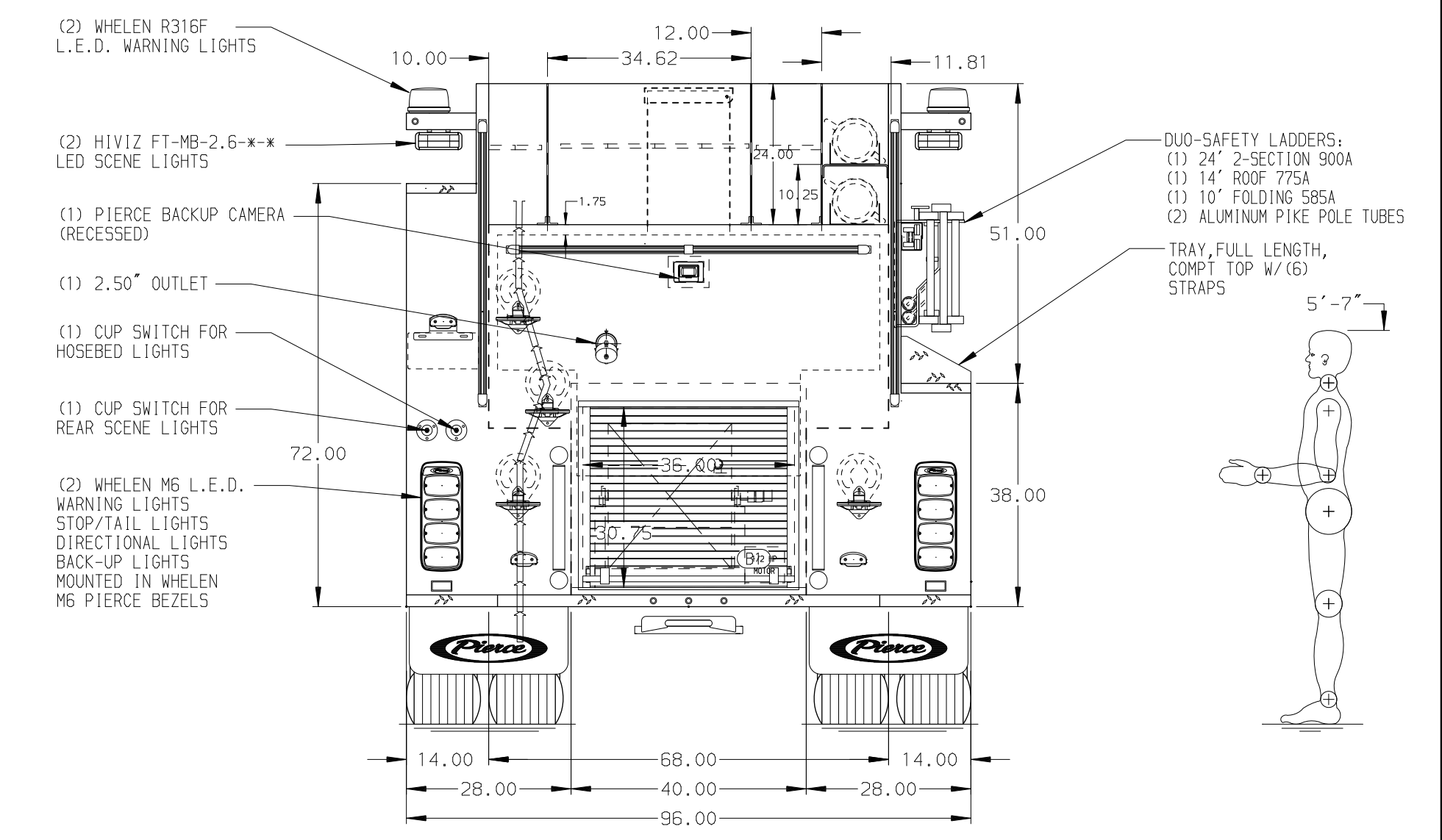
FOAM SYSTEM
Foam System Not Required

NOTE
DIMENSIONS SHOWN ARE APPROXIMATE AND ARE SUBJECT TO MINOR DEVIATIONS AS MAY OCCUR OR BE NECESSARY IN CONSTRUCTION. MINOR DETAILS NOT SHOWN.

- ONE 1.50" OUTLET WITH 2.00" PIPING AND SWIVEL LOCATED ON TOP OF BUMPER
- SHORELINE RECEPTACLE WITH KUSSMAUL SUPER AUTO-EJECT LOCATED BEHIND DS CREW CAB DOOR
- AIR INLET/OUTLET WITH DISCONNECT COUPLING LOCATED PER ORDER
- BATTERY CHARGER LOCATED PER ORDER
- BATTERY CHARGE INDICATOR LOCATED ON THE DRIVER SIDE SEAT RISER
- TWO ADJUSTABLE SHELVES LOCATED PER ORDER
- TWO FLOOR MOUNTED SLIDE-OUT TRAYS LOCATED PER ORDER
- THREE PEGBOARDS MOUNTED ON THE BACK WALL LOCATED PER ORDER



HOSEBED CAPACITY	
BED 1	400' OF 2.50" D.J. POLY HOSE
BED 2	800' OF 5.00" D.J. POLY HOSE
BED 3	400' OF 3.00" D.J. POLY HOSE
BED 4	HARD SUCTION HOSE STORAGE



Pierce MANUFACTURING INC.		JOB NO.	40676
		SCALE	DATE
		1:24	
TITLE		PIerce Pumper Approval Drawing	
FOR		Hammond Fire Department Hammond, Louisiana	
DRAWN BY		JJB	10NOV23
CHECKED BY		AMI	13NOV23
SHEET SIZE			SHEET NO.
D			1 OF 1

REV	DATE	BY	CH	SABER FR
07MAY24	RWR	NAS	CHASSIS	
03MAY24	VHO	NAS	DATA	
29FEB24	RWR	NAS	MAKE	
22FEB24	RWR	NAS	PIERCE	
20FEB24	RWR	NAS	MODEL	

TITLE	PIerce Pumper Approval Drawing
FOR	Hammond Fire Department Hammond, Louisiana
DWG NO.	40676AD