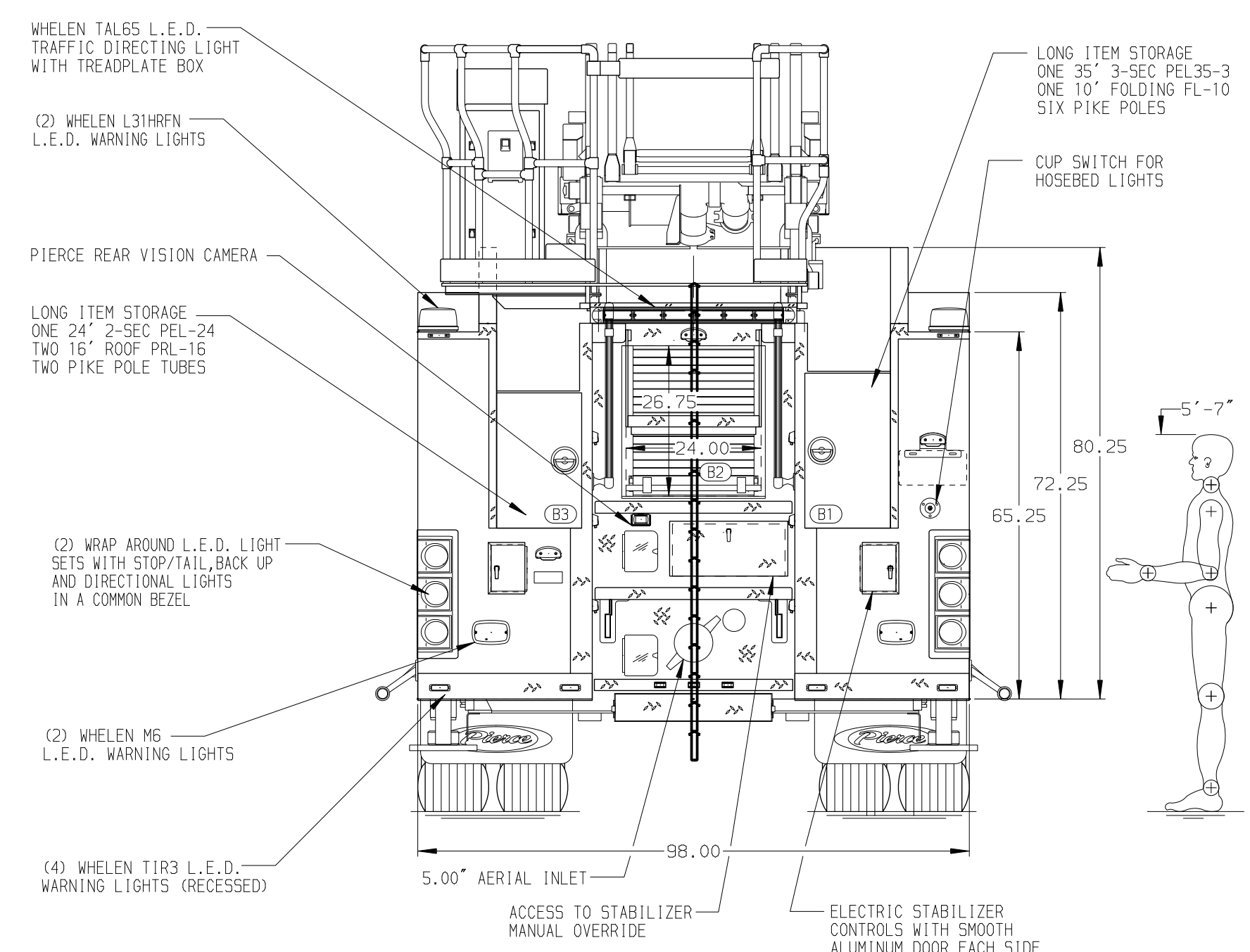
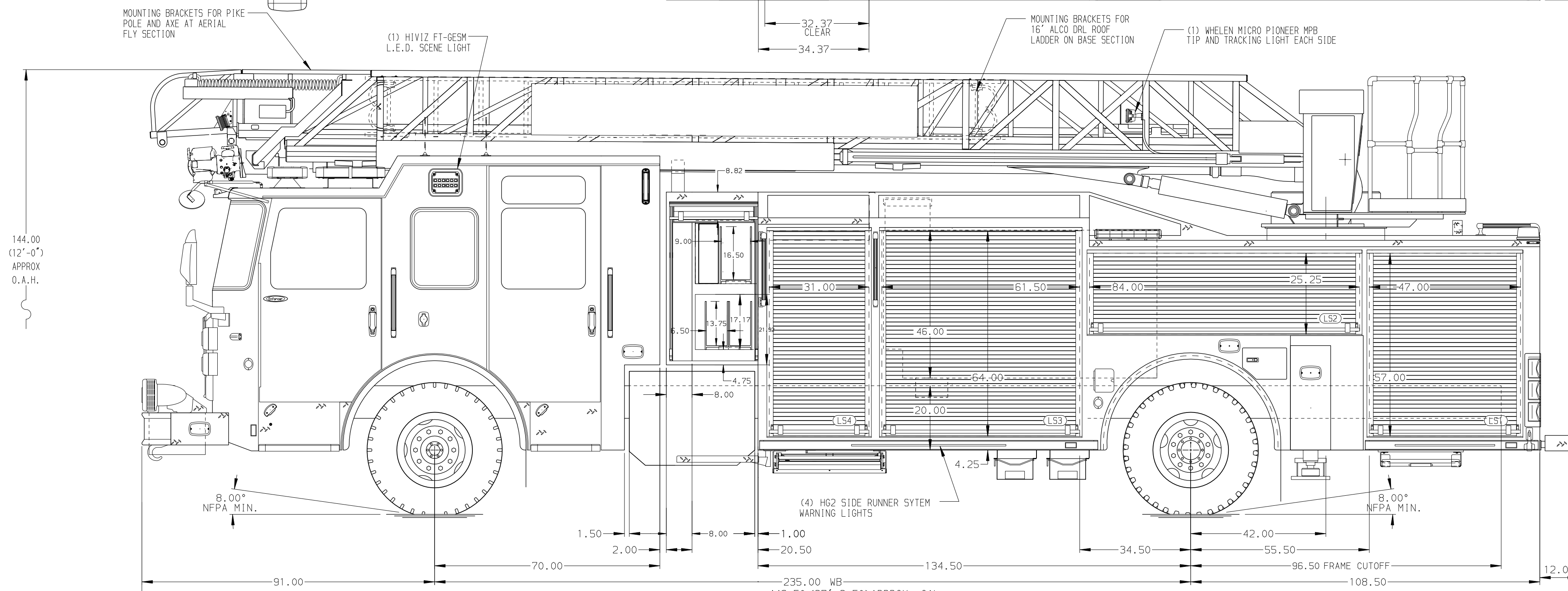


BODY	WATER TANK
75' HAL Aluminum Body	500 Gallon Poly Water Tank
COMPT, LEFT SIDE FRONT	Foam System
Full Height RollUp Forward	Foam System Not Required
COMPT, LEFT SIDE REAR	Foam Cell
Full Height RollUp Rearward	Foam Cell Not Required
COMPT, RIGHT SIDE FRONT	
Full Height RollUp Forward	
COMPT, RIGHT SIDE REAR	
Full Height RollUp Rearward	



CHASSIS	CAB	AXLE, FRONT, CUSTOM	TRANSMISSION	PUMPHOUSE	CROSSLAYS, 1.50"	SPEEDLAYS	SAFETY
Enforcer Chassis, PUC	7010 Notched Enforcer Cab, PUC	21,500 Lb Meritor Axle	Allison 6th Gen, 3000 EVS P	Control Zone, PAL/PAP PUC	(2) 1.50", Poly Trays, 200'	GENERATOR	-
ENGINE	BUMPER	AXLE, REAR		PUMP	CROSSLAYS, 2.50"	Generator Not Required	
450 HP Cummins L9 Engine	22" Extended Stainless Steel	33,500 Lb Meritor Axle		2000 GPM Pierce PUC	(1) 2.50", Poly Tray, 200'		

NOTE  
 DIMENSIONS SHOWN ARE APPROXIMATE AND ARE SUBJECT TO MINOR DEVIATIONS AS MAY OCCUR OR BE NECESSARY IN CONSTRUCTION. MINOR DETAILS NOT SHOWN.

- SHORELINE KUSSMAUL AUTO-EJECT RECEPTACLE LOCATED ON DRIVER SIDE CAB ABOVE WHEEL
- AIR INLET WITH DISCONNECT COUPLING IN THE DRIVER SIDE STEP WELL
- BATTERY CHARGER LOCATED PER ORDER
- BATTERY CHARGE INDICATOR LOCATED PER ORDER
- ELEVEN ADJUSTABLE SHELVES IN COMPARTMENTS PER ORDER
- TWO FLOOR MOUNTED SLIDE-OUT TRAY IN COMPARTMENT PER SHOP ORDER
- 1.50" RAISED AERIAL PEDIestal
- ONE CATCH FOUR DRAWER ASSEMBLY LOCATED PER SHOP ORDER
- 1500 GPM HIGH FLOW WATERWAY
- ONE SWING OUT TOOLBOARD PER ORDER
- THREE TOOLBOARDS MOUNTED ON BACK WALL PER ORDER
- FOUR 120V RECEPTACLES PER ORDER
- RUNG LIGHTING ON AERIAL LADDER
- TEN PULL STRAPS PER ORDER
- TWO SLIDE-OUT TRAYS PER ORDER
- ONE TILT/SLIDE-OUT TRAY PER ORDER
- TWO VERTICAL PARTITIONS PER ORDER

REV	DATE	BY	CH	ENFORCER	TITLE	FOR	DWG NO.
20MAY24	LWE	ZWE			CHASSIS DATA		
09MAY24	LWE	ZWE			MAKE		
01APR24	LWE	ZWE			PIERCE		
22MAR24	LWE	ZWE			MODEL		

JOB NO. 40639  
 SCALE 1:24  
 DATE 30JAN24  
 DRAWN BY LWE  
 CHECKED BY NAK  
 SHEET SIZE D  
 SHEET NO. 1 OF 1

TAMARAC, CITY OF TAMARAC, FL  
 40639AD

