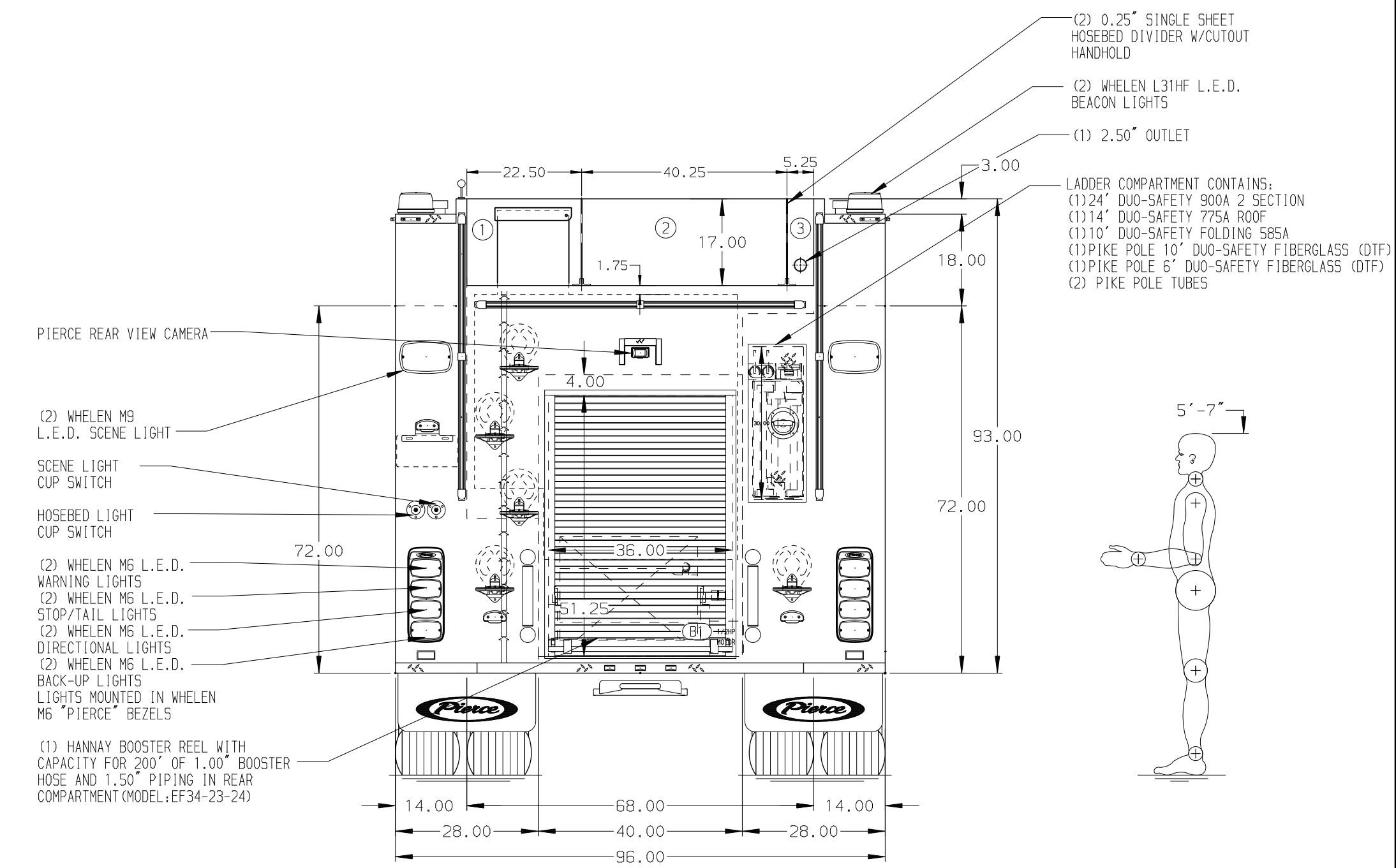
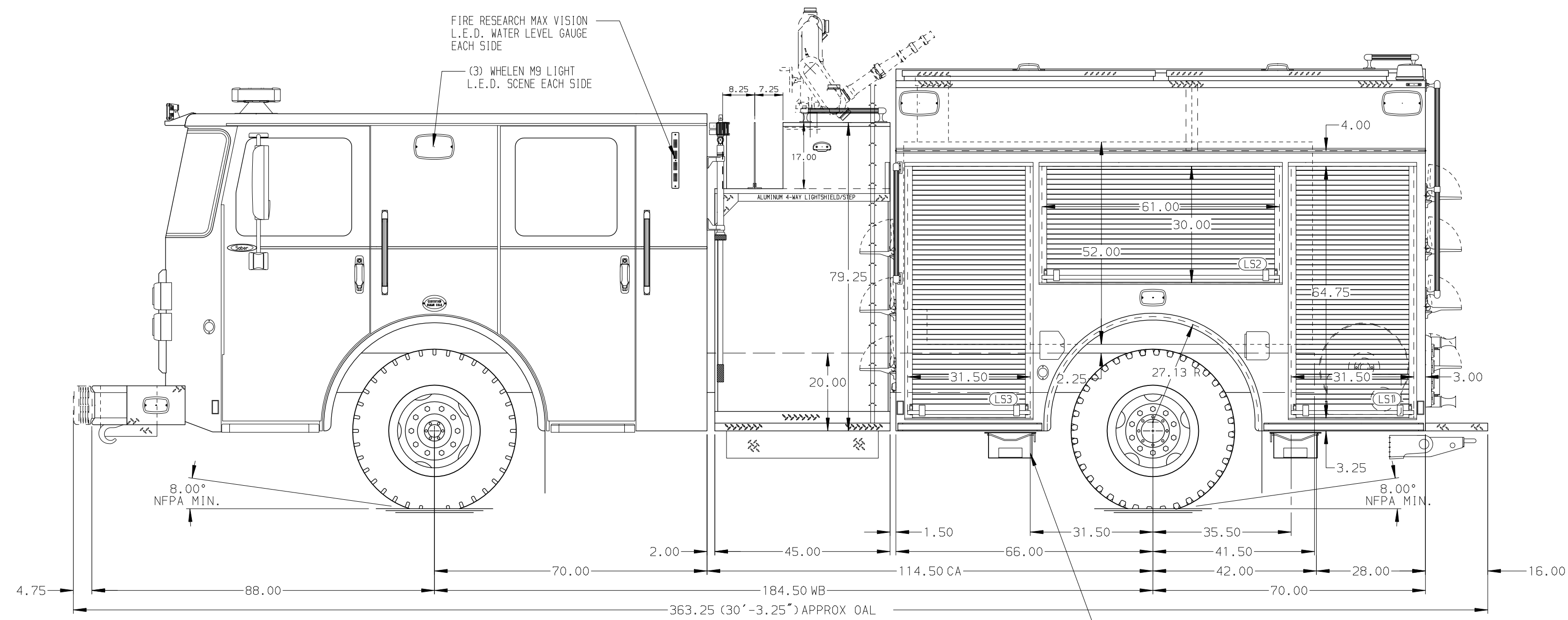


- HOSEBED CAPACITIES
- ① 600' OF 3.00" D.J. POLY
 - ② 1000' OF 5.00" D.J. POLY
 - ③ 200' OF 2.50" D.J. POLY



ALUMINUM BODY

NOTE
 DIMENSIONS SHOWN ARE APPROXIMATE AND ARE SUBJECT TO MINOR DEVIATIONS AS MAY OCCUR OR BE NECESSARY IN CONSTRUCTION. MINOR DETAILS NOT SHOWN.

REV	DATE	BY	CH	SABER FR
15JUL24	WHO	NAS		
16MAY24	RHU	NAS		
16FEB24	JAM	SJS		

		JOB NO.	40302
		SCALE	DATE
TITLE	1500-D-1000P 136" BODY, DS FH, PS FH FD (2)CROSSLAYS, DELUGE, BOOSTER REEL	DRAWN BY	JAM 07FEB24
FOR	WAYCROSS FIRE DEPARTMENT WAYCROSS, GEORGIA	CHECKED BY	SJS 07FEB24
DWG NO.	40302AD	SHEET SIZE	D SHEET NO. 1 OF 1