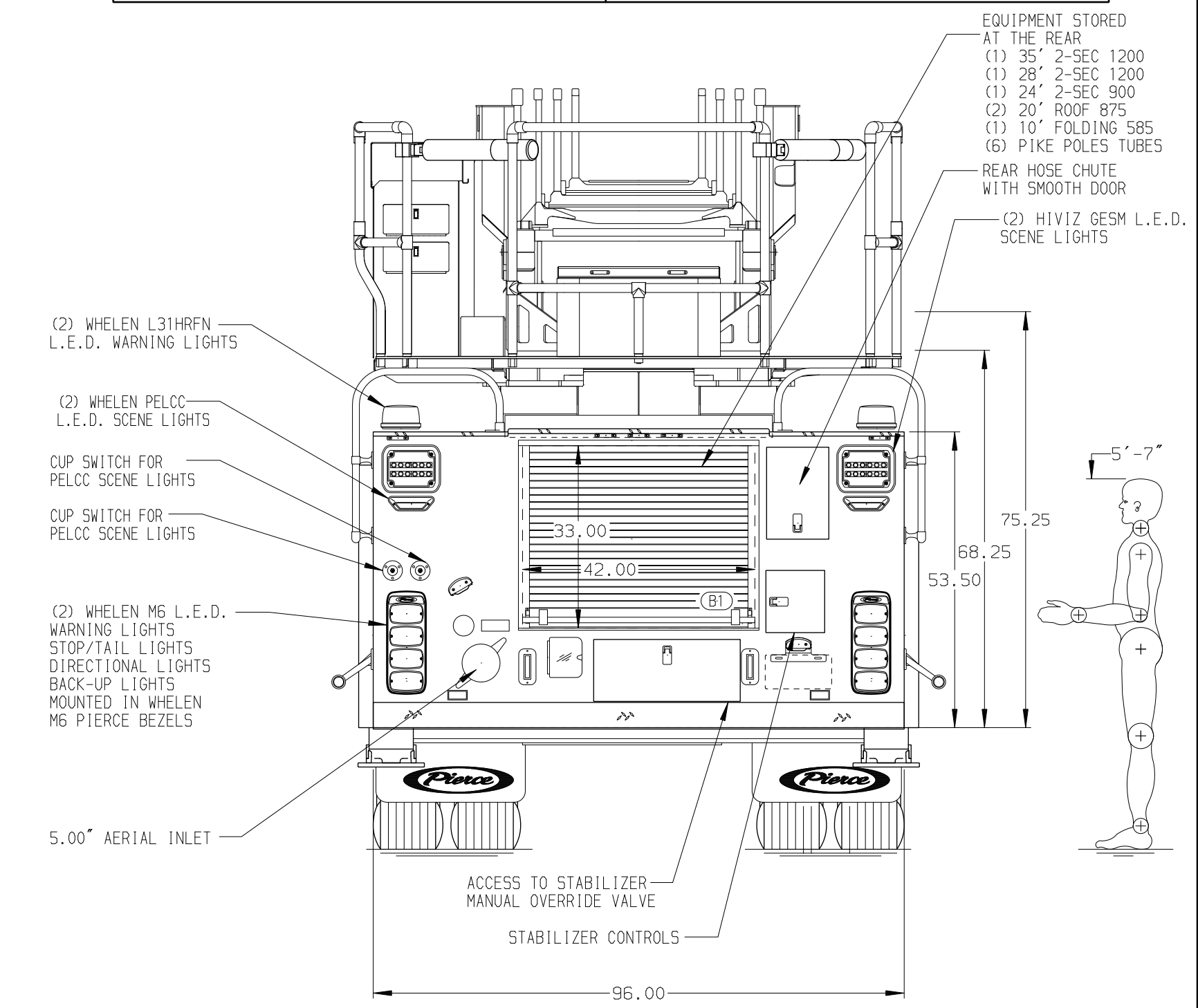


<b>BODY</b> 107' ASL Tandem Axle Aluminum Body	<b>TOTAL TANK CAPACITY</b> 500 Gallon Poly Tank
<b>COMPT, LEFT SIDE FRONT</b> FH/FD RollUp Forward w/o Chute	<b>WATER CAPACITY</b> 500 Gallons of Water
<b>COMPT, LEFT SIDE REAR</b> FH/FD RollUp and Lift-up Rearward	<b>FOAM CELL CAPACITY</b> Foam Cell Not Required
<b>COMPT, RIGHT SIDE FRONT</b> Full Height RollUp Forward	<b>FOAM SYSTEM</b> Foam System Not Required
<b>COMPT, RIGHT SIDE REAR</b> Full Height RollUp and Lift-up Rearward	



<b>CHASSIS</b> Enforcer Chassis 525 HP Cummins X12 Engine	<b>CAB</b> 7010 Notched Enforcer Cab 16" Extended Stainless Steel BUMPER	<b>AXLE, FRONT, CUSTOM</b> 22,800 Lb TAK-4 Axle <b>AXLE, REAR</b> 44,000 Lb Meritor Axle	<b>TRANSMISSION</b> Allison 6th Gen, 4500 EV5 P	<b>PUMPHOUSE</b> 52" Control Zone Side Mount PUMP 2000 GPM Waterous CSU	<b>CROSSLAYS, 1.50"</b> (2) 1.50" Single Stack <b>CROSSLAYS, 2.50"</b> (2) 2.50" Single Stack	<b>SPEEDLAYS</b> Speedlays Not Required <b>GENERATOR</b> Generator Not Required	<b>SAFETY</b> Side Roll and Frontal Impact Protection
---	--	---	--	---	--	--	--

<b>NOTE</b> DIMENSIONS SHOWN ARE APPROXIMATE AND ARE SUBJECT TO MINOR DEVIATIONS AS MAY OCCUR OR BE NECESSARY IN CONSTRUCTION. MINOR DETAILS NOT SHOWN.	1. 14" LIMITED RETRACTION REQUIRED 2. ONE 1.50" OUTLET WITH 2.00" PIPING AND SWIVEL LOCATED IN CENTER BUMPER TRAY 3. SHORELINE RECEPTACLE WITH KUSSMALL SUPER AUTO-EJECT LOCATED ON DRIVERS SIDE CAB 4. AIR INLET WITH DISCONNECT COUPLING IN THE DRIVER SIDE OF CAB WITH COVER 5. BATTERY CHARGER LOCATED PER ORDER 6. BATTERY CHARGE INDICATOR LOCATED ON DRIVER SEAT RISER 7. TEN ADJUSTABLE SHELVES LOCATED PER ORDER 8. THREE FLOOR MOUNTED SLIDE-OUT TRAY LOCATED PER ORDER 9. 3.00" RAISED AERIAL PEDESTAL 10. LIFTING EYE ROPE RESCUE ATTACHMENT AT AERIAL TIP	11. 1500 GPM HIGH FLOW WATERWAY 12. RING LIGHTING ON AERIAL LADDER PER ORDER 13. FOUR 120V RECEPTACLES PER ORDER	MAXIMUM O.A.H. = 11' - 8.00"
--	---	--	------------------------------

<b>Pierce MANUFACTURING INC.</b>		JOB NO.	40254
		SCALE	DATE
		1:24	18MAR24
		CHECKED BY	27MAR24
		NAK	
		SHEET SIZE	SHEET NO.
		D	1 OF 1

01NOV24	LWE	GKH	MAKE
17JULY24	LWE	GKH	PIERCE
22MAY24	LWE	GKH	MODEL
REV	DATE	BY	CH
			ENFORCER

CHASSIS DATA	TITLE	107' ASCENDANT HSL AERIAL LADDER AND BODY ASSEMBLY
	FOR	500 GALLON WATER TANK
		CITY OF LYNDEN
		LYNDEN, WA
DWG NO.	40254AD	