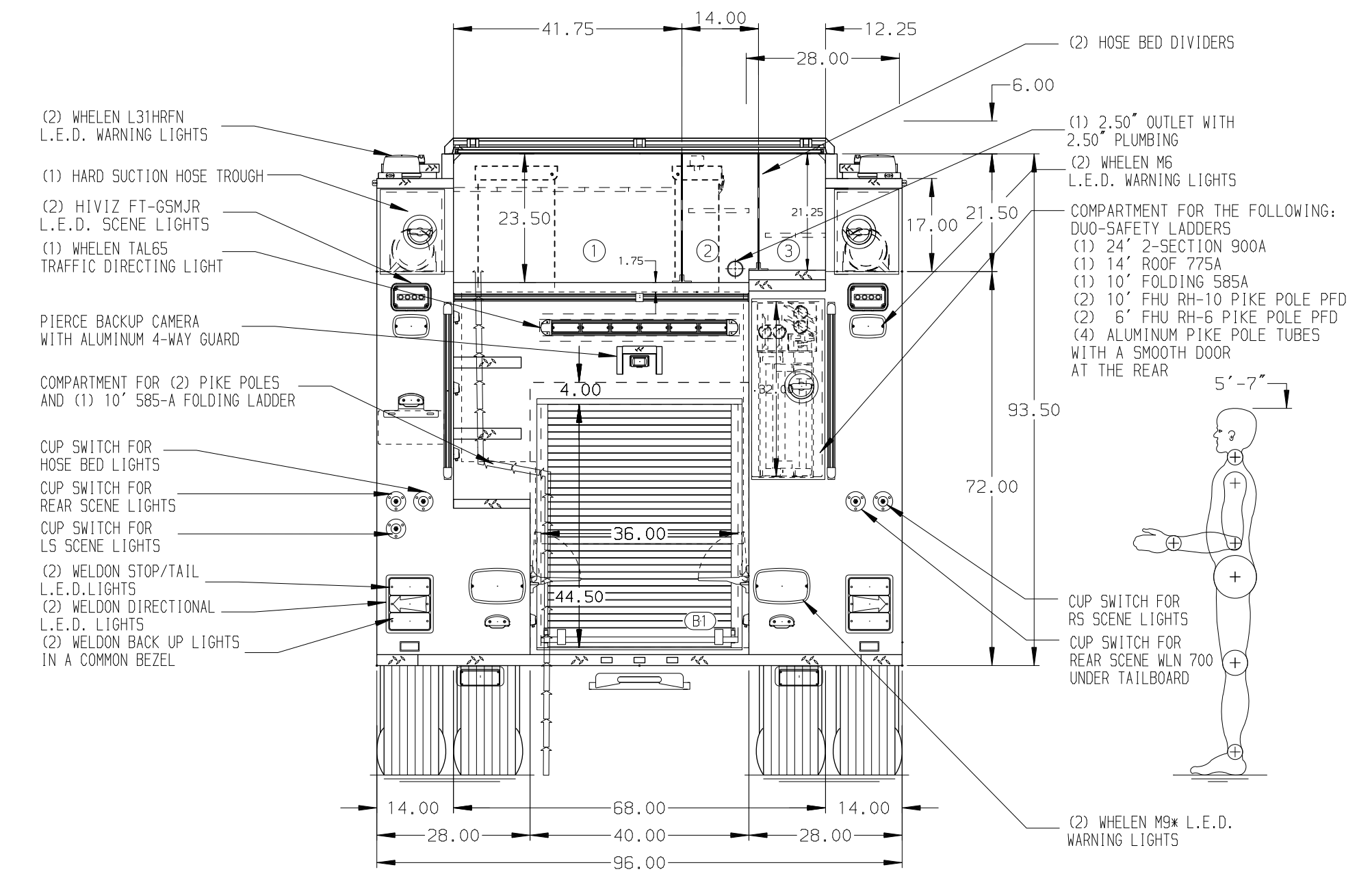


- HOSEBED CAPACITIES
- ① - 1000' OF 5.00" D.J. POLY HOSE
 - ② - 300' OF 2.50" D.J. POLY HOSE
 - ③ - 150' OF 2.50" D.J. POLY HOSE



ALUMINUM BODY

NOTE
DIMENSIONS SHOWN ARE APPROXIMATE AND ARE SUBJECT TO MINOR DEVIATIONS AS MAY OCCUR OR BE NECESSARY IN CONSTRUCTION. MINOR DETAILS NOT SHOWN.

240CT24	RHU	EEM	CHASSIS	DATA
230CT24	RHU	EEM	DATA	
06JUN24	RHU	NAS	MAKE	
15MAY24	RHU	NAS	PIERCE	
25APR24	VHO	NAS	MODEL	
REV	DATE	BY	CH	SABER FR

	JOB NO.	40228
	SCALE	DATE
TITLE	1:24	
FOR	DRAWN BY	JJB
	CHECKED BY	SJS
DWG NO.	SHEET SIZE	D
	SHEET NO.	1 OF 1

1500-D-1025P, 1000G WATER, 25G FOAM, 171" FDLER BODY
RS LADDER RACK, (2) CROSSLAYS, (3) SPEEDLAYS, DELUGE
COCONUT CREEK
COCONUT CREEK, FLORIDA

40228AD