

PUMPER BODY

Short Aluminum 2nd Gen Pumper

CHASSIS

Enforcer Chassis

CHASSIS AXLE, FRONT, CUSTOM

20,000 Lb Dana Axle

AXLE, REAR

27,000 Lb Meritor Axle

ENGINE

510 HP Paccor MX13 Engine

TRANSMISSION

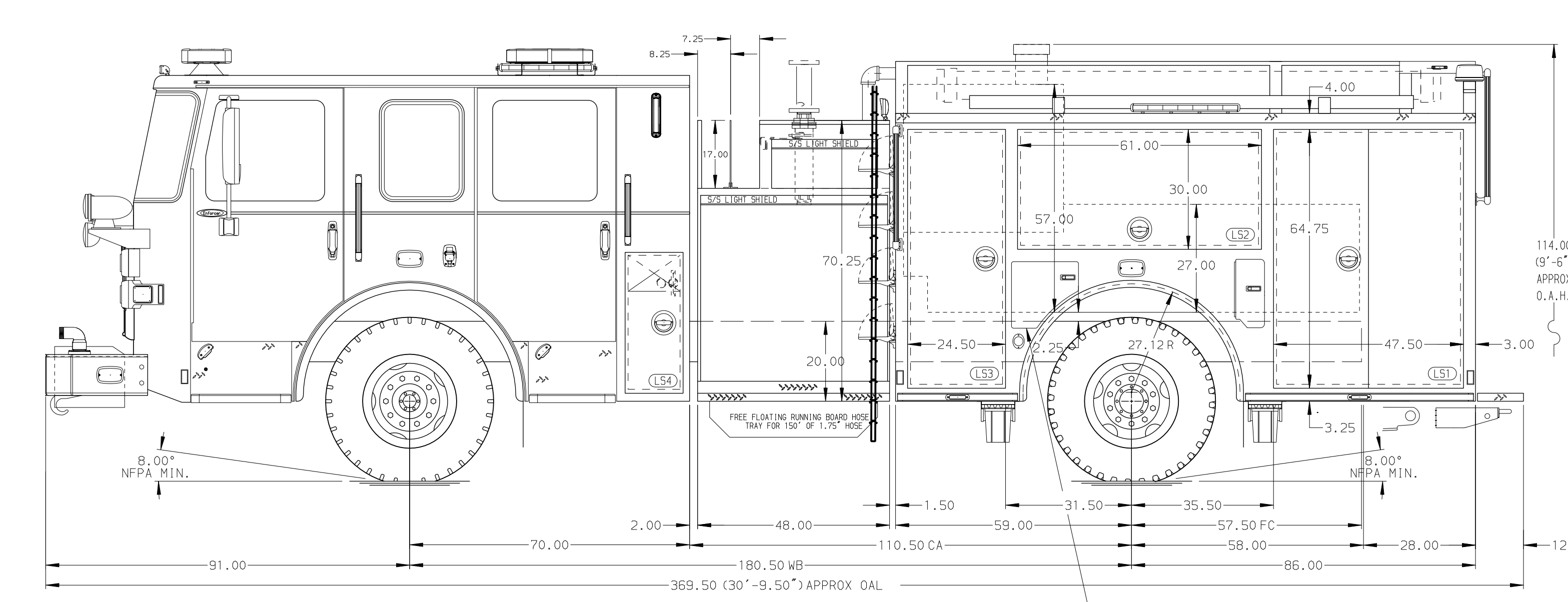
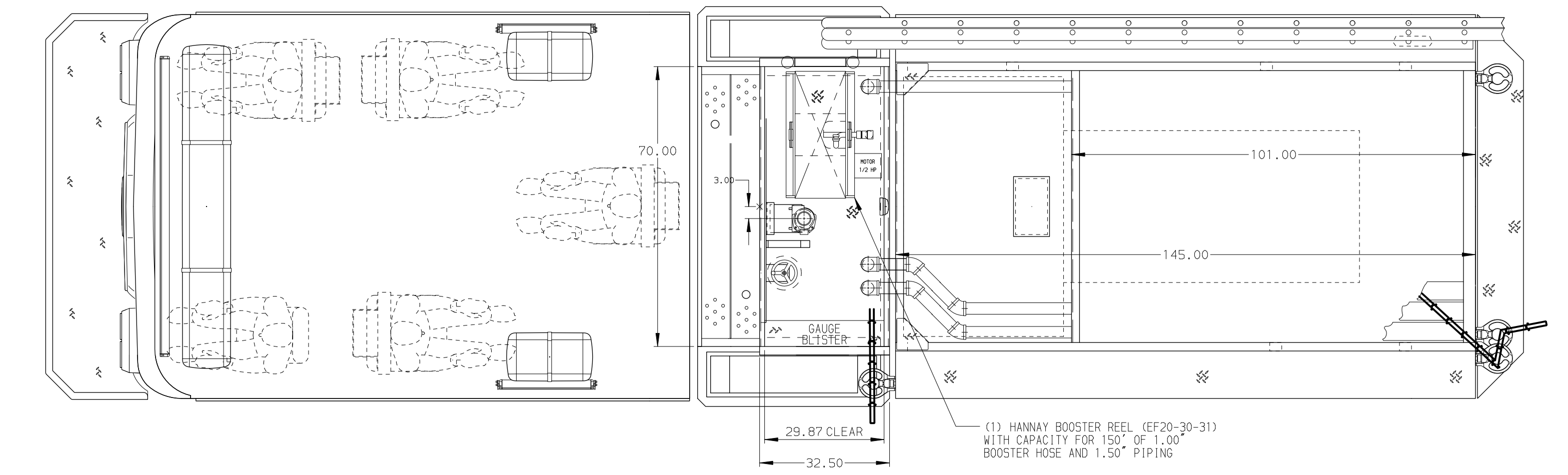
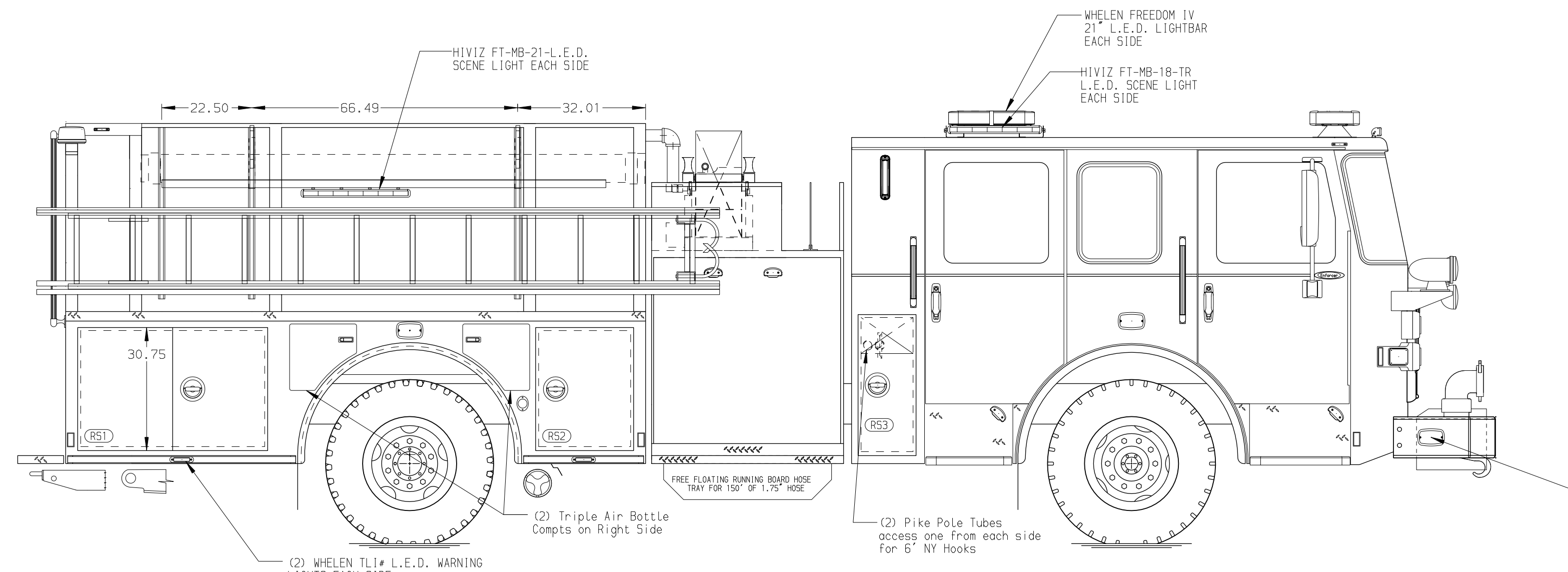
Allison 6th Gen, 4000 EVS P

BUMPER

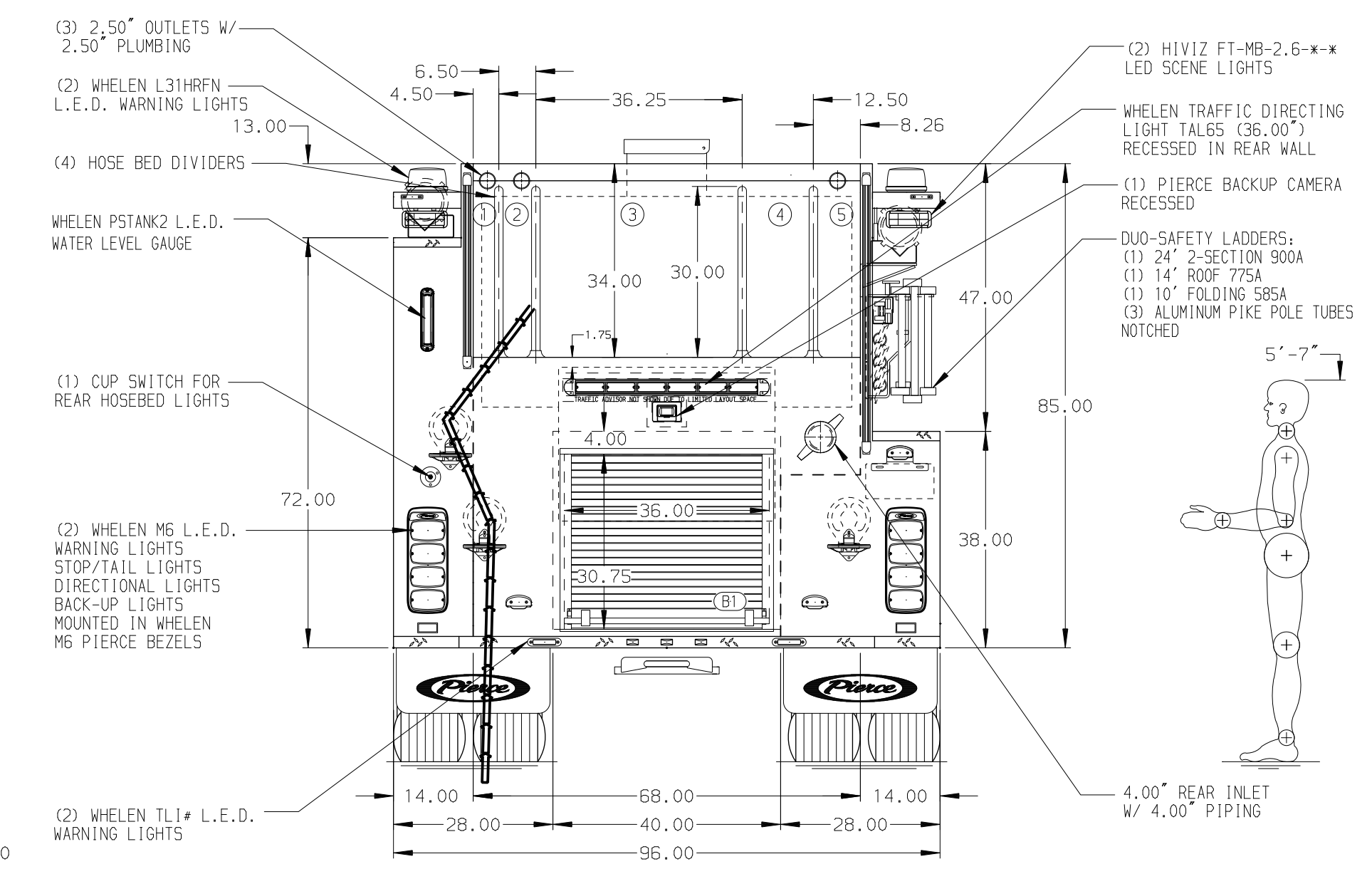
22" Extended Painted Steel

CAB

7000 Enforcer Cab



HOSEBED CAPACITY	
BED 1	300' OF 1.75" D.J. POLY HOSE
BED 2	300' OF 2.50" D.J. POLY HOSE
BED 3	1000' OF 4.00" D.J. POLY HOSE
BED 4	500' OF 3.00" D.J. POLY HOSE
BED 5	400' OF 2.00" D.J. POLY HOSE



FIRE SUPPRESSION PUMPHOUSE

48" Control Zone Side Mount

PUMP

1500 GPM Waterous CSU

CROSSLAYS, 1.50"

(2) 1.50" Standard Capacity

CROSSLAYS, 2.50"

2.50" Crosslay Not Required

SPEEDLAYS

SpeedLays Not Required

GENERATOR

Generator Not Required

FOAM SYSTEM

Foam System Not Required

SAFETY

Side Roll and Frontal Impact Protection

NOTE
DIMENSIONS SHOWN ARE APPROXIMATE AND ARE SUBJECT TO MINOR DEVIATIONS AS MAY OCCUR OR BE NECESSARY IN CONSTRUCTION. MINOR DETAILS NOT SHOWN.

- ONE 2.50 OUTLET WITH 2.50 PIPING AND SWIVEL LOCATED ON TOP OF BUMPER LEFT SIDE
- SHORELINE RECEPTACLE WITH KUSSMAUL SUPER AUTO-EJECT LOCATED ON DRIVER SIDE OF THE CAB
- AIR INLET WITH DISCONNECT COUPLING FORWARD IN DRIVER SIDE STEP WELL
- BATTERY CHARGER LOCATED PER ORDER
- BATTERY CHARGE INDICATOR LOCATED ON DRIVER SEAT RISER
- FIVE ADJUSTABLE SHELVES LOCATED PER ORDER
- ONE FLOOR MOUNTED SLIDE-OUT TRAY LOCATED PER ORDER
- AUTOMATIC FIRE CHAINS
- (1) Swing-Out Tool Board .188" Peg Board Located Per Order
- (1) Peg Board, Back Wall Mounted Located Per Order

REV	DATE	BY	CH	ENFORCER
06DEC24	SJM	ZWE		CHASSIS DATA
29AUG24	SJM	ZWE		MAKE
24JUN24	SJM	CSH		PIERCE
24JUN24	SJM	CSH		MODEL
21JUN24	SJM	CSH		

		JOB NO.	40220
		SCALE	DATE
TITLE	Pierce Pumper Approval Drawing	DRAWN BY	KLE
FOR	Lois Volunteer Fire Company	CHECKED BY	MMF
DWG NO.	40220AD	SHEET SIZE	SHEET NO.
		D	1 OF 1