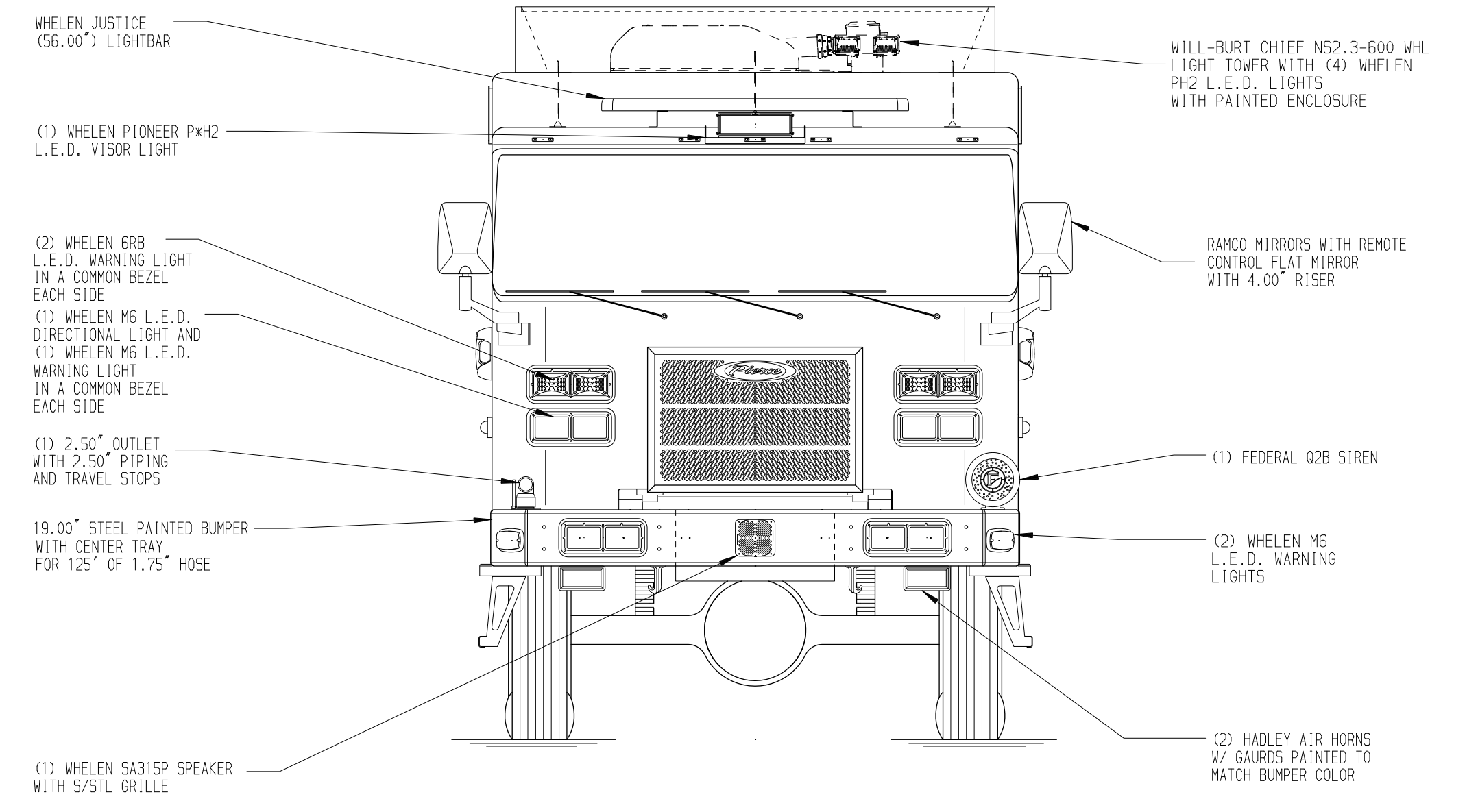
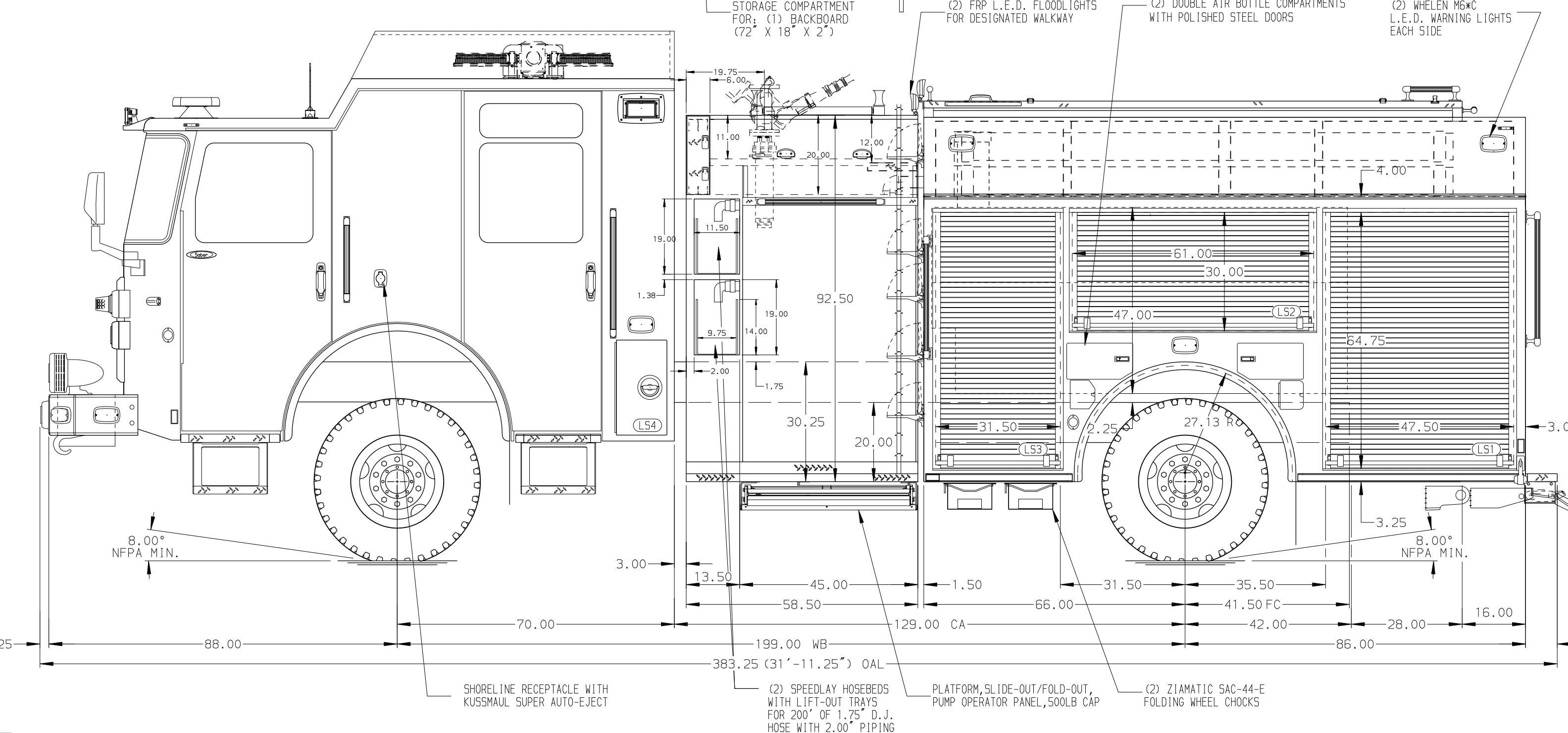
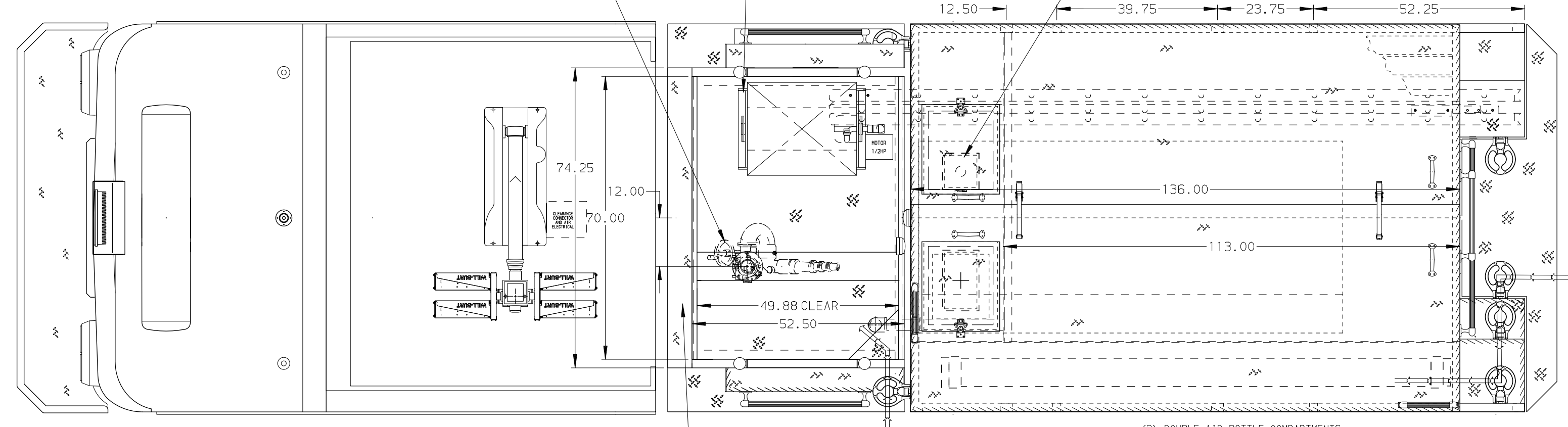
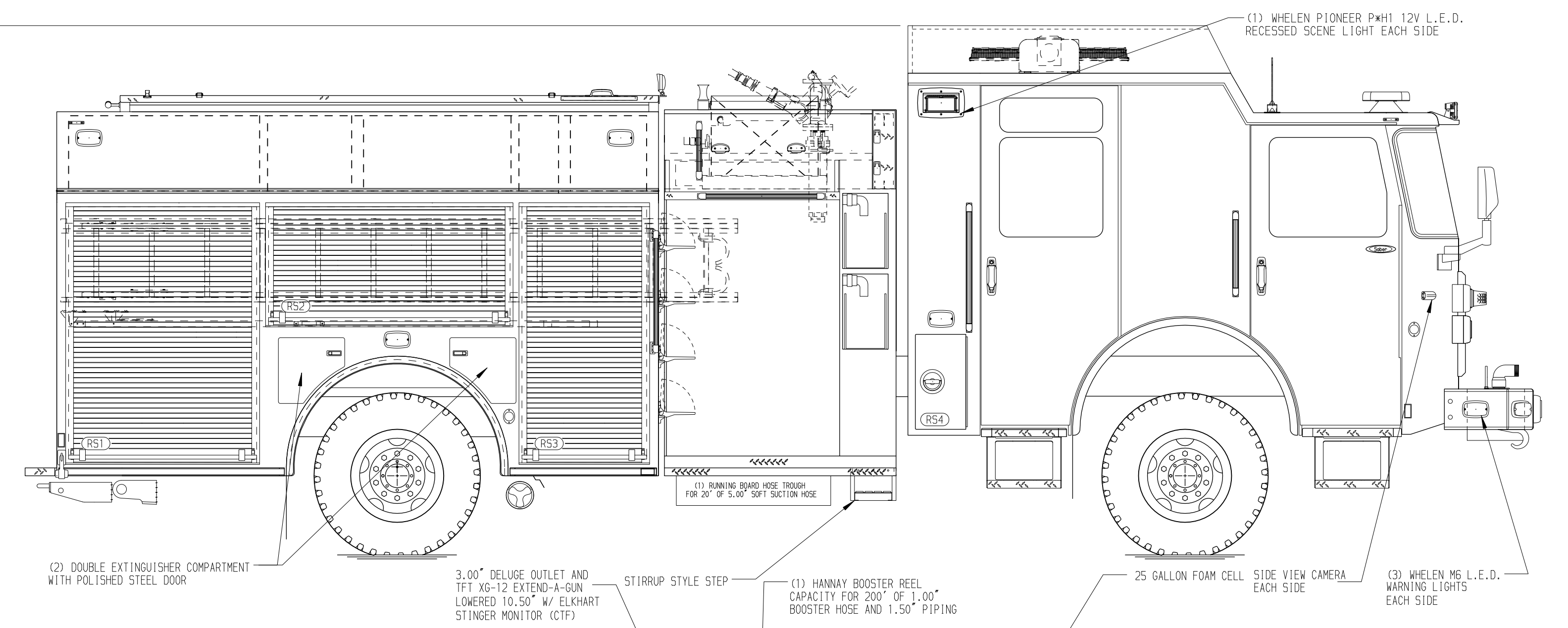
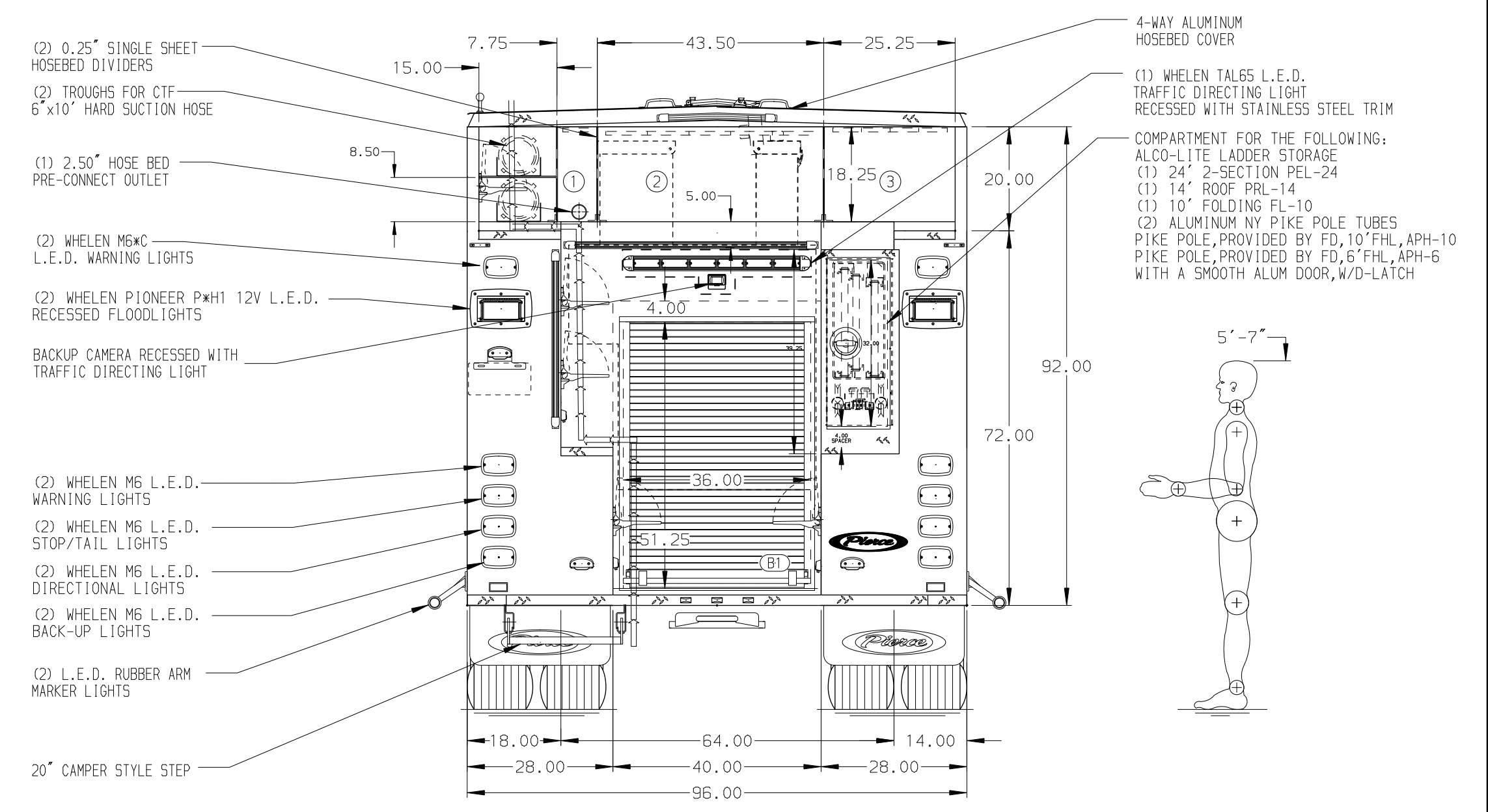


136.00
(11'-6")
APPROX
O.A.H.



- HOSEBED CAPACITIES
- ① - 200' OF 3.00" D.J. POLY HOSE
 - ② - 1000' OF 5.00" D.J. POLY HOSE
 - ③ - 800' OF 3.00" D.J. POLY HOSE



ALUMINUM BODY

NOTE
DIMENSIONS SHOWN ARE APPROXIMATE AND ARE SUBJECT TO MINOR DEVIATIONS AS MAY OCCUR OR BE NECESSARY IN CONSTRUCTION. MINOR DETAILS NOT SHOWN.

1. AIR INLET/ OUTLET W/ DISCONNECT FITTING LOCATED PER SHOP ORDER
2. ONE 120V NEMA DUPLEX RECEPTACLE LOCATED IN THE CAB PER SHOP ORDER
3. INVERTER/ BATTERY CHARGER LOCATED IN THE CAB PER SHOP ORDER
4. BATTERY CHARGER INDICATOR LOCATED PER SHOP ORDER

		JOB NO.	40154									
		SCALE	DATE									
CHASSIS DATA TITLE FOR DWG NO.	16AUG24	RHU	CCS	MAKE	PIERCE	MODEL	SABER FR 4X4	1500-D-775P, 750G WATER, 25G FOAM, 152" PUMPER 4X4 LADDERS BTWN TANK & SS, (2) SPEEDLAYS, LIGHT TOWER	CLAY COUNTY FIRE RESCUE GREEN COVE SPRINGS, FLORIDA	DRAWN BY	JJB	14FEB24
	03AUG24	RHU	CCS	DATE	BY	CH				CHECKED BY	JJR	16FEB24
	18APR24	RWR	CCS	REV	DATE	BY	CH			SHEET SIZE	D	SHEET NO.

40154AD-SH1