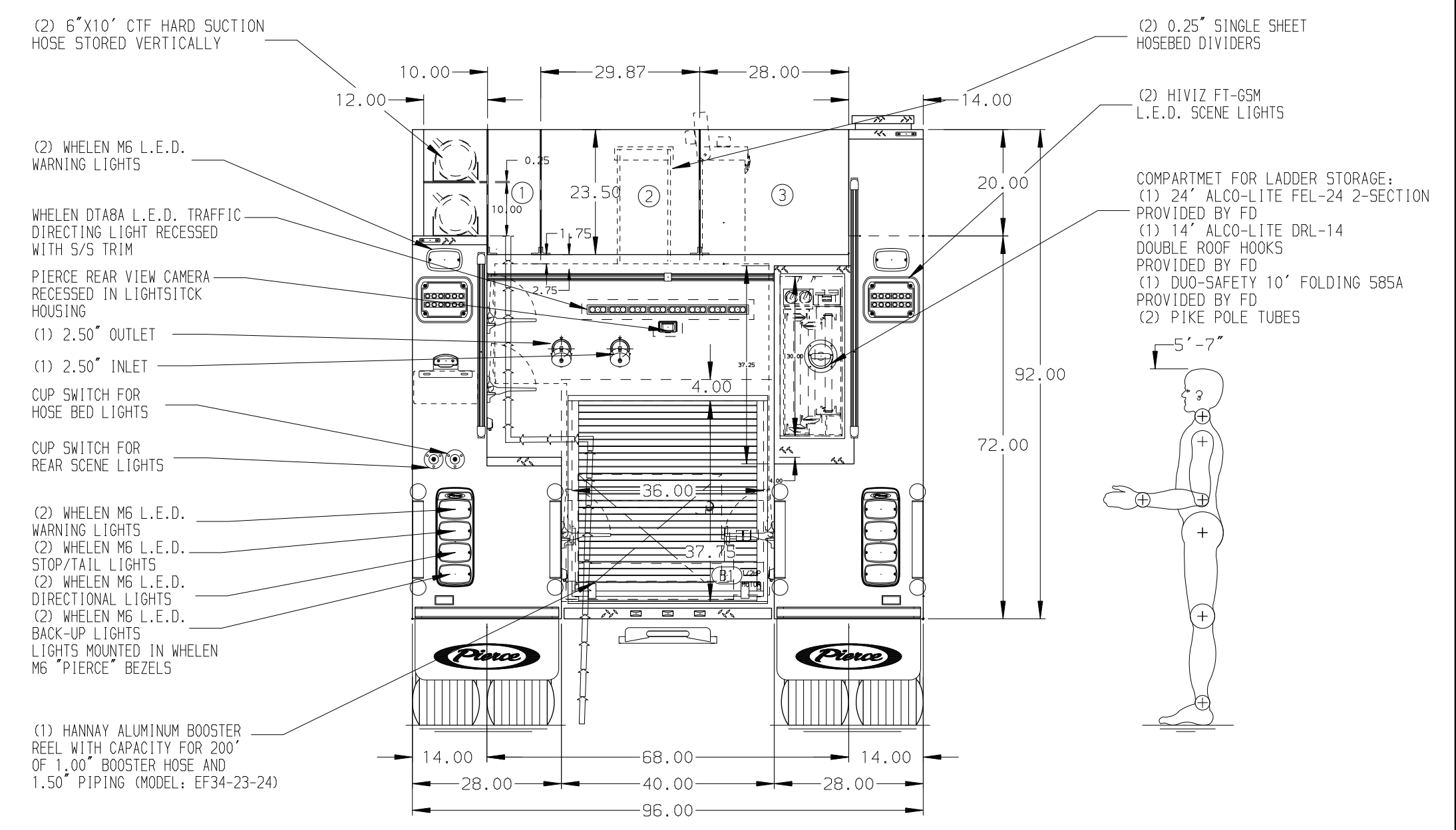
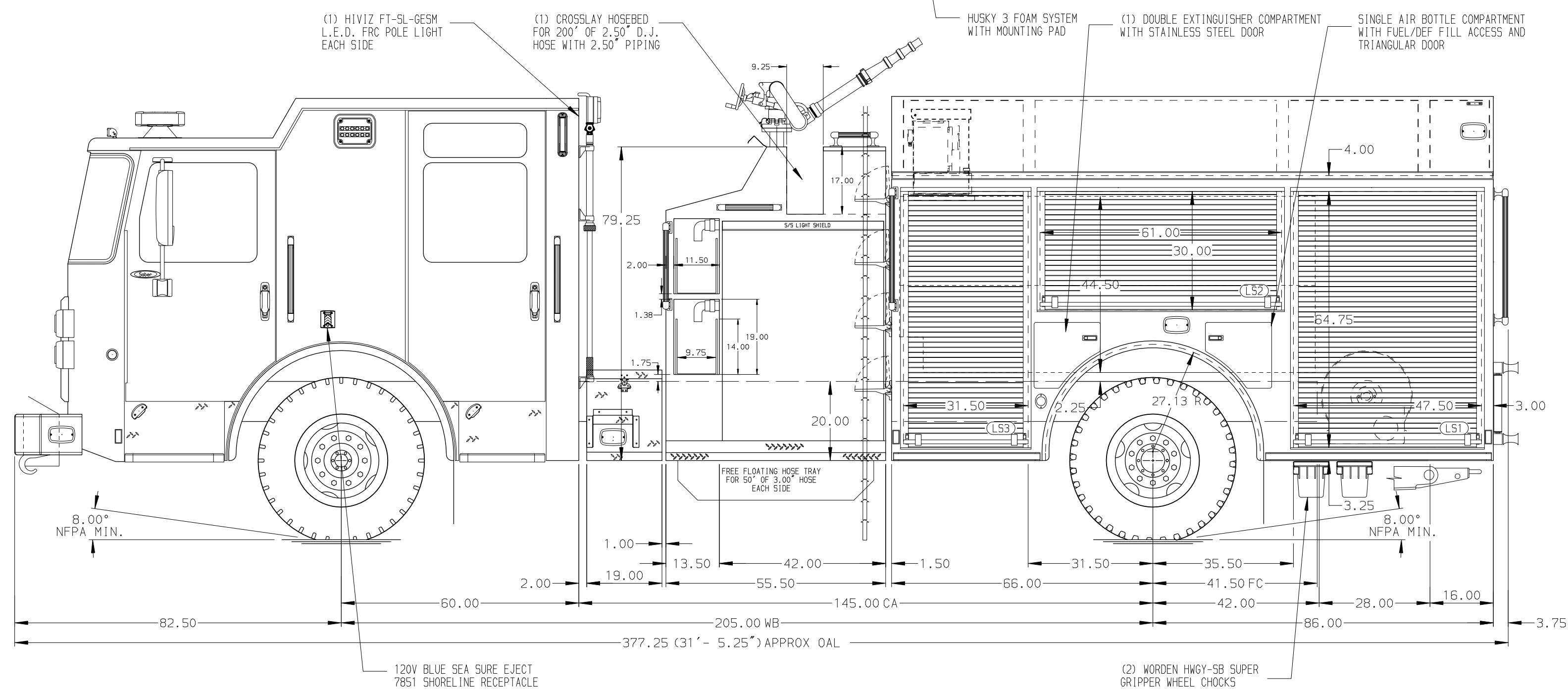


- HOSEBED CAPACITIES
- ① - 500' OF 2.5" D.J. POLY HOSE
  - ② - 800' OF 5.00" D.J. POLY HOSE
  - ③ - 1500' OF 2.50" D.J. POLY HOSE



ALUMINUM BODY

MAXIMUM O.A.L. - 384.00"

NOTE  
DIMENSIONS SHOWN ARE APPROXIMATE AND ARE SUBJECT TO MINOR DEVIATIONS AS MAY OCCUR OR BE NECESSARY IN CONSTRUCTION. MINOR DETAILS NOT SHOWN.

				CHASSIS DATA	TITLE	1500-D-770P, 750G WATER, 20G FOAM, 152" FDLER BODY LADDERS BTWN TANK & SS, (2)SPDLAYS, (1)XLAY ,DELUGE
				MAKE	FOR	ACADIA PARISH FIRE DISTRICT #11 - CROWLEY FD
				MODEL	DWG NO.	40124AD
REV	DATE	BY	CH	SABER FR	SHEET NO.	D
14JUN24	RHU	CCS			JOB NO.	40124-01-02
01MAY24	RWR	CCS			SCALE	1:24
					DATE	
					DRAWN BY	JJB
					CHECKED BY	WKL
					SHEET SIZE	D
					SHEET NO.	1 OF 1

**Pierce** MANUFACTURING INC.