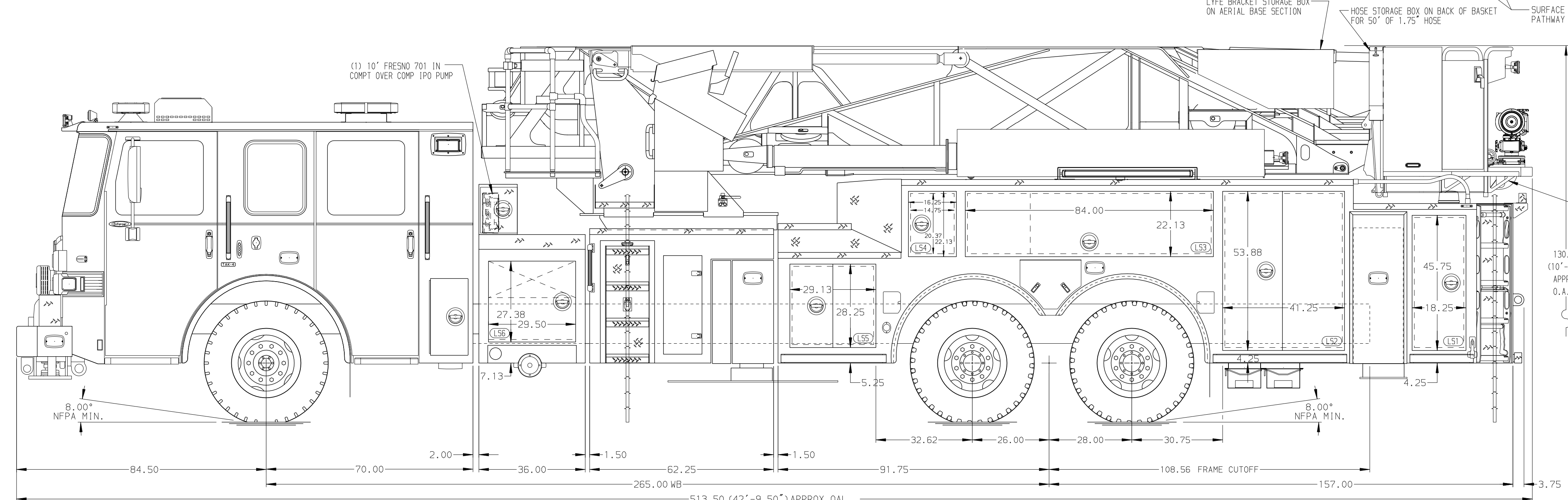


**BODY**  
 100' Ascendant Aerial Tower No Pump Alum Body  
**COMPT, LEFT SIDE**  
 Full Height & Full Depth Lap Doors  
**COMPT, RIGHT SIDE**  
 Full Height & Full Depth Lap Doors



<b>CHASSIS</b> Enforcer Chassis <b>ENGINE</b> 565 HP Cummins X15 Engine	<b>CAB</b> 7000 Enforcer Cab <b>BUMPER</b> 15" Painted Aluminum	<b>AXLE, FRONT, CUSTOM</b> 24,000 Lb TAK-4 Axle <b>AXLE, REAR</b> 52,000 Lb Meritor Axle	<b>TRANSMISSION</b> Allison 6th Gen, 4500 EV5 P <b>GENERATOR</b> Generator CTF (2) Honda EU 2000i	<b>COMPARTMENT-NO PUMP</b> 36" Compartment, No Pump, Lap Door	<b>SAFETY</b> Side Roll and Frontal Impact Protection
--	--	---	--	--	--

**NOTE**  
 DIMENSIONS SHOWN ARE APPROXIMATE AND ARE SUBJECT TO MINOR DEVIATIONS AS MAY OCCUR OR BE NECESSARY IN CONSTRUCTION. MINOR DETAILS NOT SHOWN.

- SHORELINE RECEPTACLE WITH KUSSMAUL SUPER AUTO-EJECT LOCATED ON DRIVER SIDE OF THE CAB
- AIR INLET WITH DISCONNECT COUPLING IN THE DRIVER SIDE STEPWELL
- BATTERY CHARGER LOCATED PER ORDER
- FOUR ADJUSTABLE SHELVES LOCATED PER ORDER
- NON-RAISED AERIAL PEDESTAL
- 3-in-1 LYFCOMBO BRACKETS AT AERIAL BASKET
- ONE FLOOR MOUNTED 5/8" LID-OUT TRAY PER ORDER
- CIRCUIT BREAKER PANELS PER ORDER
- FOUR 120V RECEPTACLES PER ORDER
- RUNG LIGHTING ON AERIAL LADDER
- DC POWER TO AERIAL TIP
- PULL STRAPS LOCATED PER ORDER
- RETAINING LIP (1.00") PER ORDER
- ONE POLY TOOL BOX PER ORDER
- TWO PEGBOARD ON FLOOR PER ORDER

REV	DATE	BY	CH	ENFORCER
15JUL24	LWE	JGO	MAKE	CHASSIS DATA
26APR24	LWE	JGO	PIERCE	FOR
20FEB24	LWE	JGO	MODEL	DWG NO.

<b>Pierce MANUFACTURING INC.</b>		JOB NO.	39989
		SCALE	1:24
		DATE	06NOV23
		DRAWN BY	LWE
		CHECKED BY	NAK
		DATE	08NOV23
		SHEET SIZE	D
		SHEET NO.	1 OF 1
		TITLE	100' ASCENDANT AERIAL TOWER AND BODY ASSEMBLY
		FOR	COLUMBIA FIRE DEPARTMENT COLUMBIA, SC
		DWG NO.	39989AD