

PUMPER BODY

Long Aluminum 2nd Gen Pumper

CHASSIS

Enforcer Chassis

CHASSIS AXLE, FRONT, CUSTOM

22,800 Lb Dana Axle

AXLE, REAR

27,000 Lb Dana Axle

ENGINE

510 HP Paccor MX13 Engine

TRANSMISSION

Allison 6th Gen, 4000 EVS P

BUMPER

16" Extended Painted Steel

CAB

7000 Enforcer Cab

BODY

TOTAL TANK CAPACITY

775 Gallon New York Style Poly Tank

WATER CAPACITY

750 Gallons of Water

FOAM CELL

25 Gallon Foam Cell

COMPT, PUMPER, REAR

30.75" FF RollUp Rear Compt

COMPT, PUMPER, LEFT SIDE

161" RollUp Full Height Front & Rear FDLR

COMPT, PUMPER, RIGHT SIDE

161" RollUp Low FDLR

FIRE SUPPRESSION PUMPHOUSE

45" Control Zone Side Control

PUMP

1500 GPM Waterous CSU

CROSSLAYS, 1.50"

1.50" Crosslay Not Required

CROSSLAYS, 2.50"

2.50" Crosslay Not Required

SPEEDLAYS

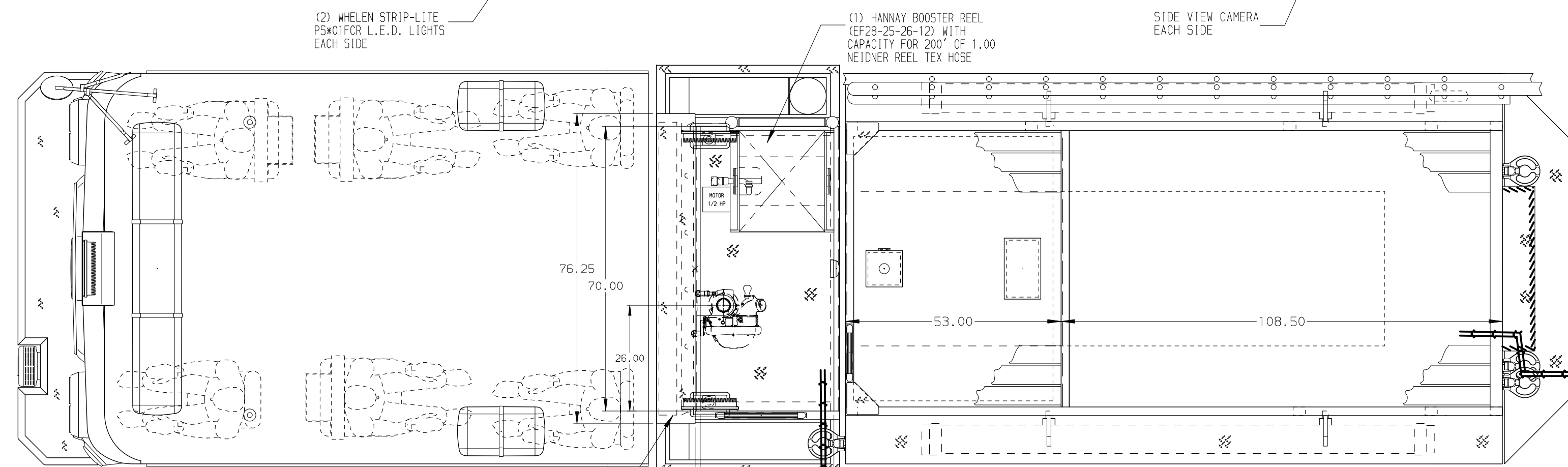
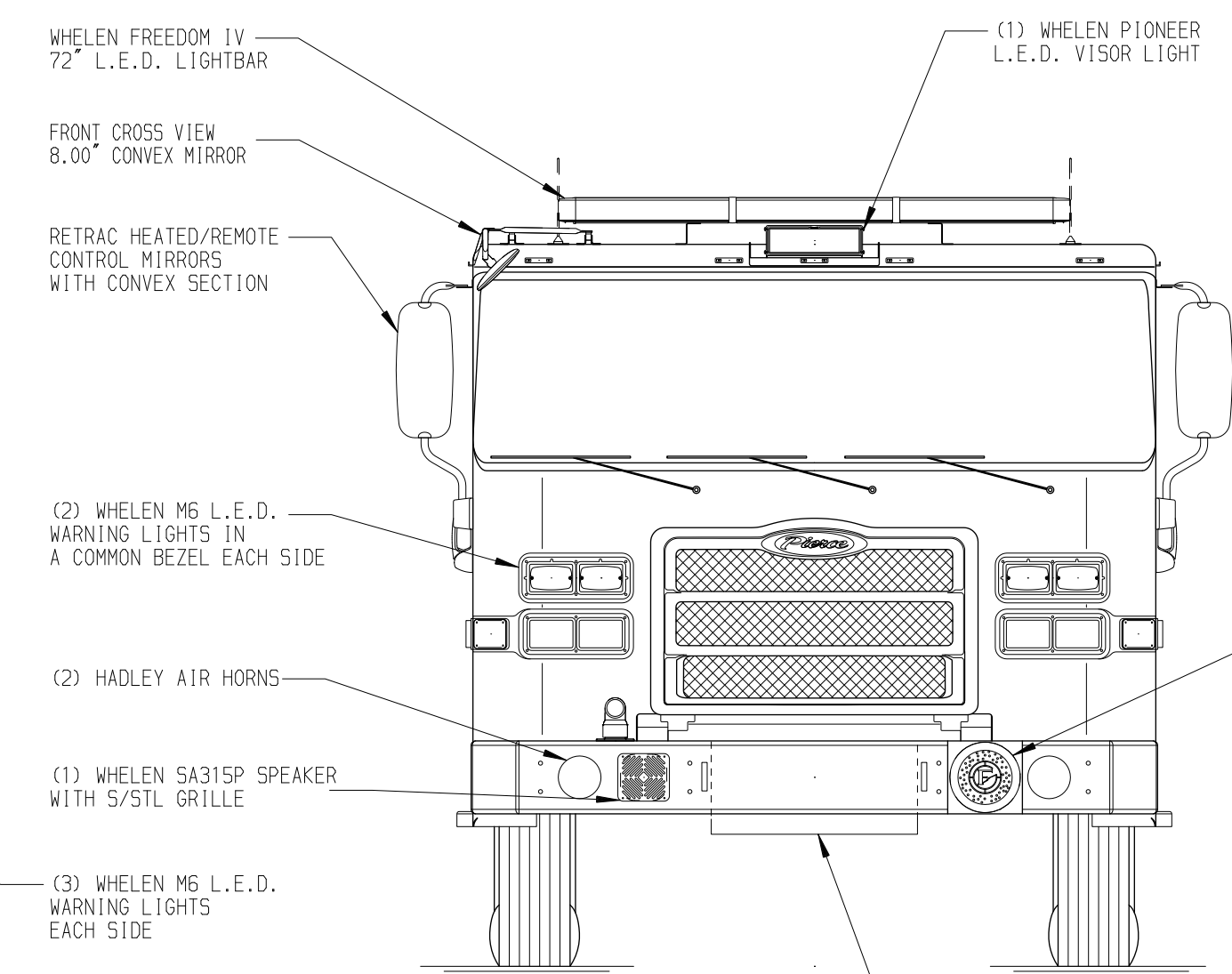
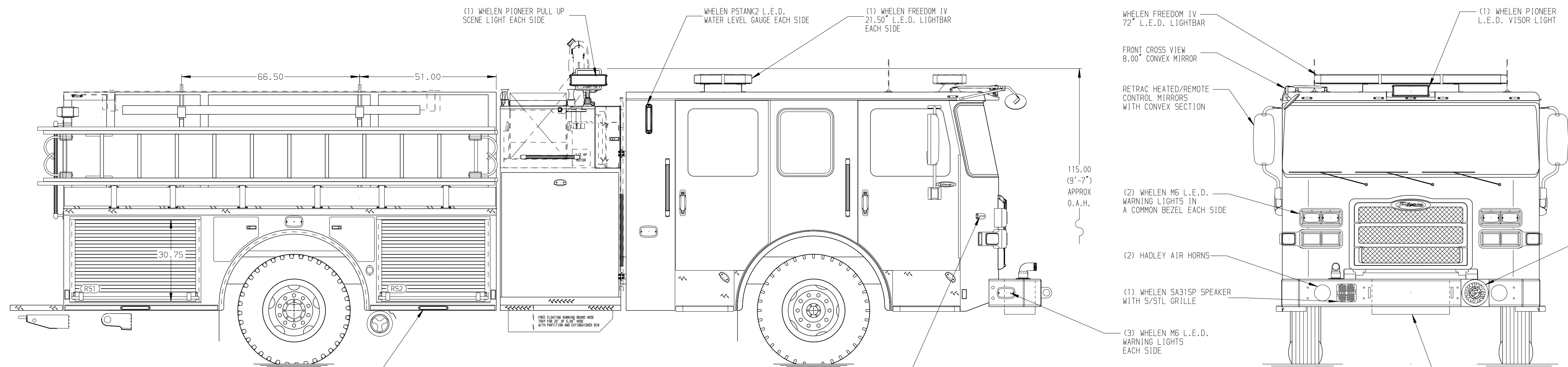
SpeedLays Not Required

GENERATOR

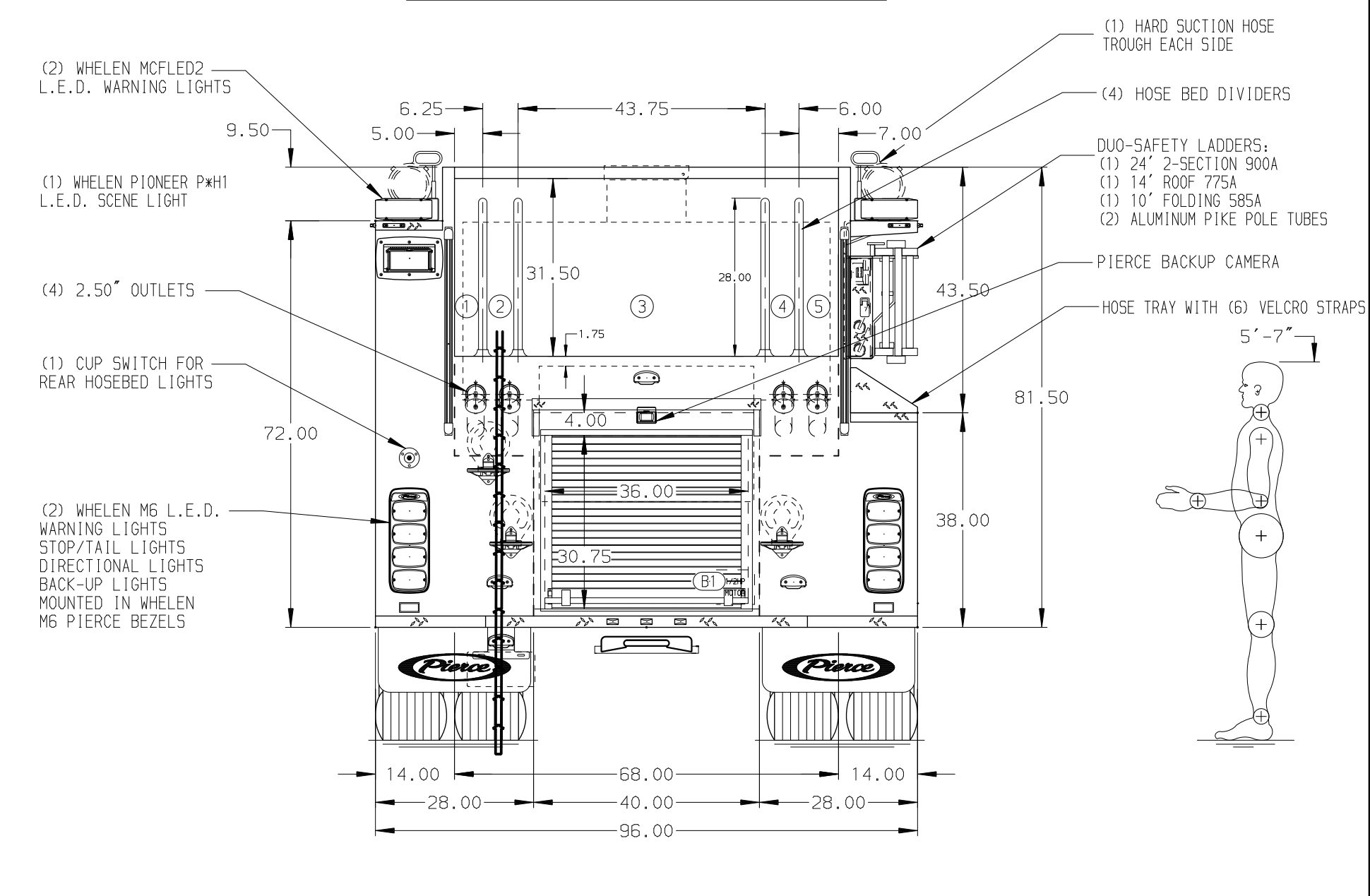
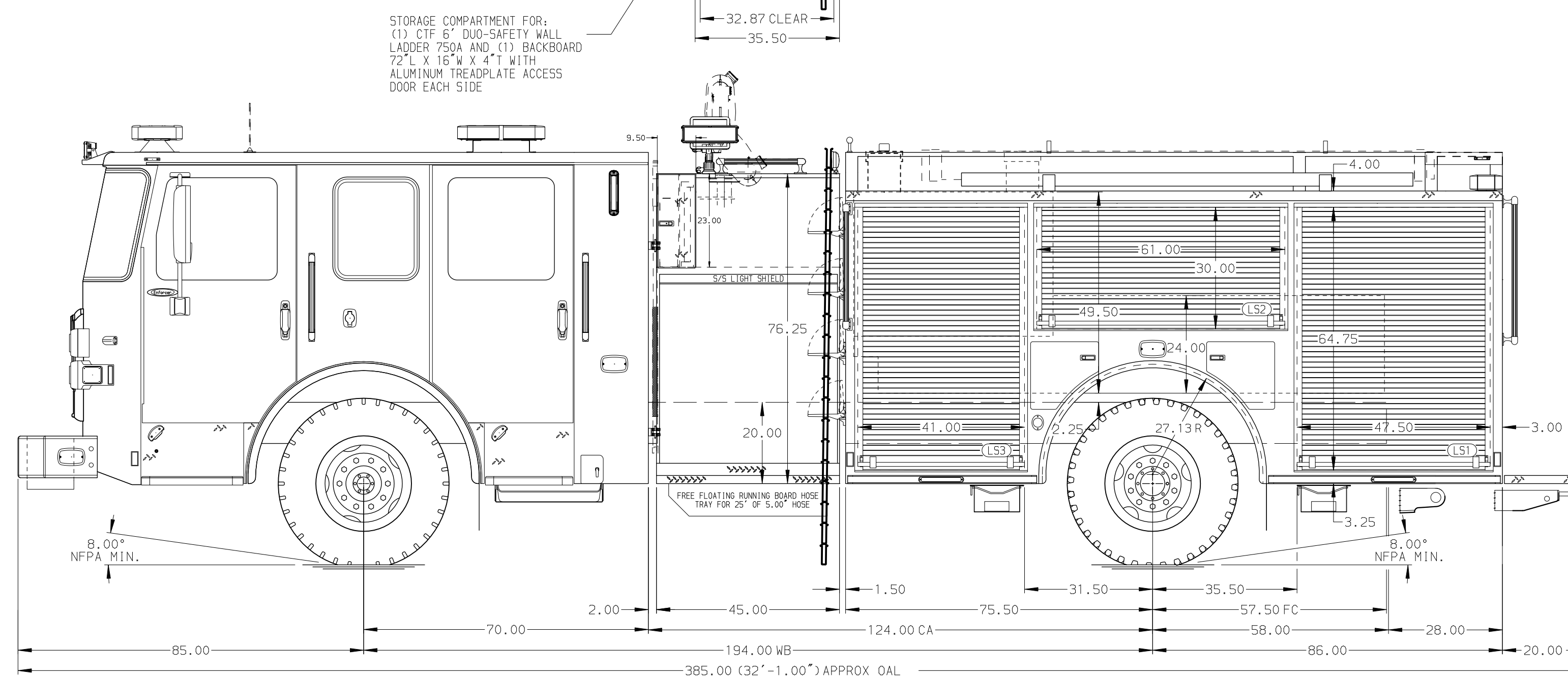
Generator Not Required

FOAM SYSTEM

External Foam System



HOSEBED CAPACITY	
BED 1	200' OF 1.75" D.J. POLY HOSE
BED 2	300' OF 1.75" D.J. POLY HOSE
BED 3	1200' OF 5.00" D.J. POLY HOSE
BED 4	200' OF 1.75" D.J. POLY HOSE
BED 5	300' OF 3.00" D.J. POLY HOSE



NOTE
DIMENSIONS SHOWN ARE APPROXIMATE AND ARE SUBJECT TO MINOR DEVIATIONS AS MAY OCCUR OR BE NECESSARY IN CONSTRUCTION. MINOR DETAILS NOT SHOWN.

- ONE 2.50 OUTLET WITH 2.50 PIPING AND SWIVEL LOCATED ON TOP OF BUMPER
- ONE SWING-OUT TOOLBOARD WITH NO HOLES LOCATED PER ORDER
- SHORELINE RECEPTACLE WITH KUSSMAIL SUPER AUTO-EJECT LOCATED ON DRIVER SIDE OF THE CAB
- AIR INLET WITH DISCONNECT COUPLING IN THE DRIVER SIDE STEPPWELL
- BATTERY CHARGER LOCATED PER ORDER
- BATTERY CHARGE INDICATOR LOCATED ON DRIVER SEAT RISER
- FIVE ADJUSTABLE SHELVES LOCATED PER ORDER
- REAR TRANS COMPARTMENT PARTITIONS LOCATED PER ORDER
- THREE ALUMINUM MOUNTING PLATES LOCATED PER ORDER

REV	DATE	BY	CH	ENFORCER
05JUN24	JJB	JGO	MAKE	
11APR24	JJB	JGO	PIERCE	
11APR24	JJB	JGO	MODEL	

		JOB NO.	39986-01-02
		SCALE	DATE
TITLE	Pierce Pumper Approval Drawing	DRAWN BY	JJB
FOR	Anderson City Fire Department	CHECKED BY	MMF
DWG NO.	39986AD	SHEET SIZE	SHEET NO.
		D	1 OF 1