

### PUMPER BODY

Medium Aluminum 2nd Gen Pumper

### CHASSIS

Enforcer Chassis

### CHASSIS AXLE, FRONT, CUSTOM

22,800 Lb TAK-4 Axle

### AXLE, REAR

27,000 Lb Meritor Axle

### ENGINE

450 HP Cummins L9 Engine

### TRANSMISSION

Allison 6th Gen, 3000 EVS P

### BUMPER

22" Extended Stainless Steel

### CAB

7010 Enforcer Cab

### BODY WATER TANK

750 Gallon New York Style Water Tank

### COMPT, PUMPER, REAR

30.75" FF RollUp Rear Compt

### COMPT, PUMPER, LEFT SIDE

152" Lap Full Height Front & Rear FOLER

### COMPT, PUMPER, RIGHT SIDE

152" Lap Full Height Front & Rear FOLER

### FIRE SUPPRESSION PUMPHOUSE

52" Control Zone Side Mount

### PUMP

1500 GPM Waterous CSU

### CROSSLAYS, 1.50"

(2) 2.00" Special Capacity

### CROSSLAYS, 2.50"

2.50" Crosslay Not Required

### SPEEDLAYS

Speedlays Not Required

### GENERATOR

Generator Not Required

### Foam System

Husky 12 Single Agent Foam System

### Foam Cell

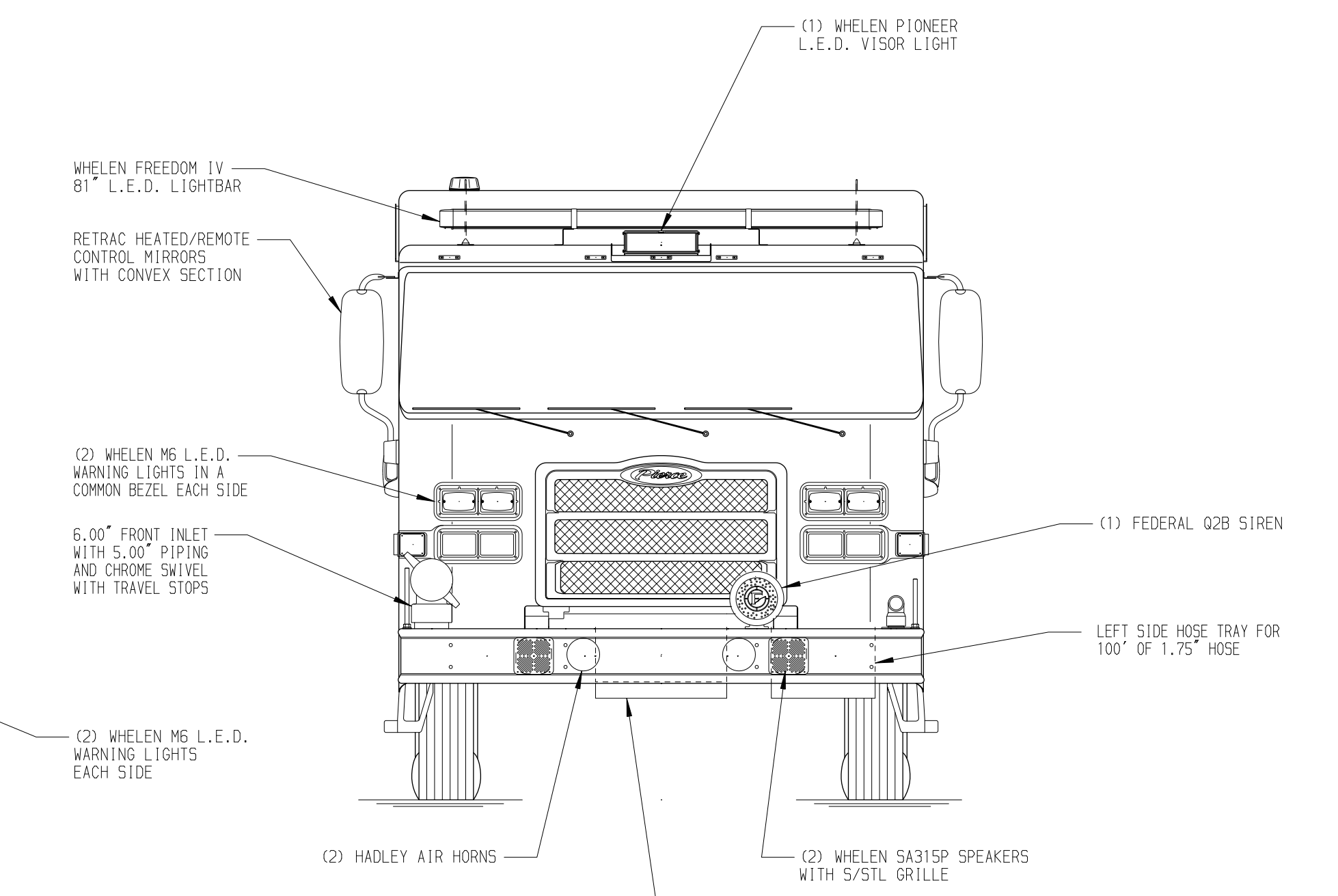
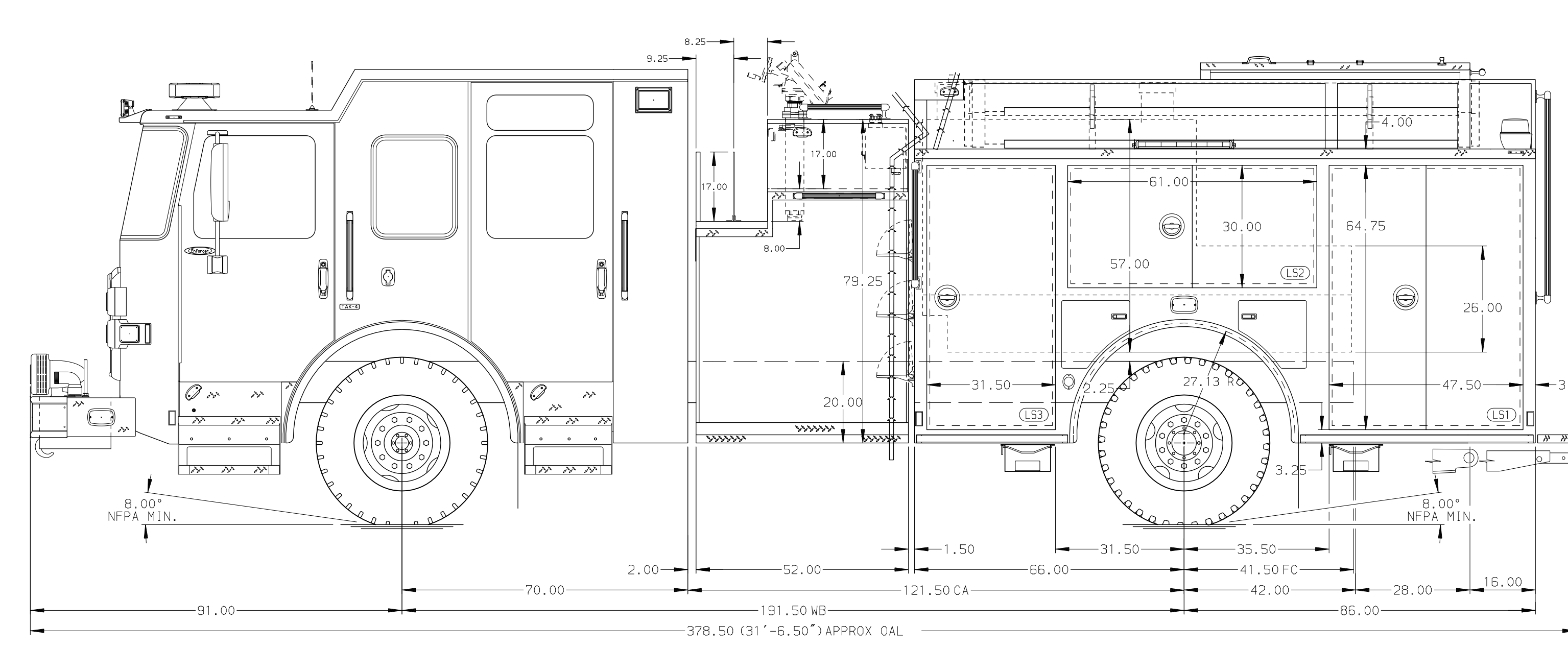
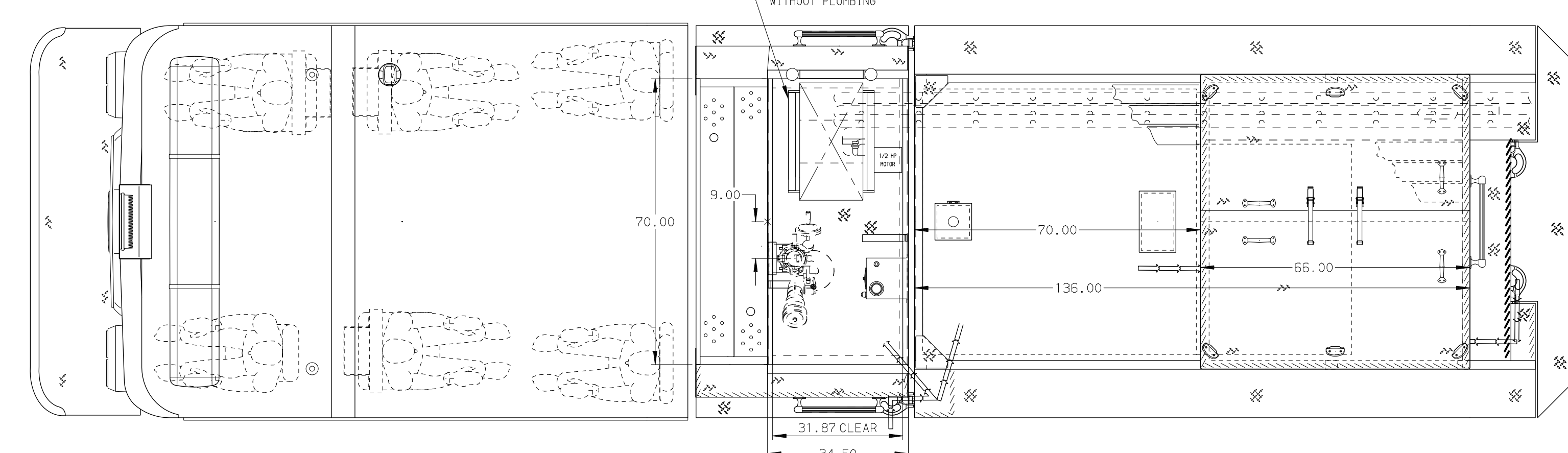
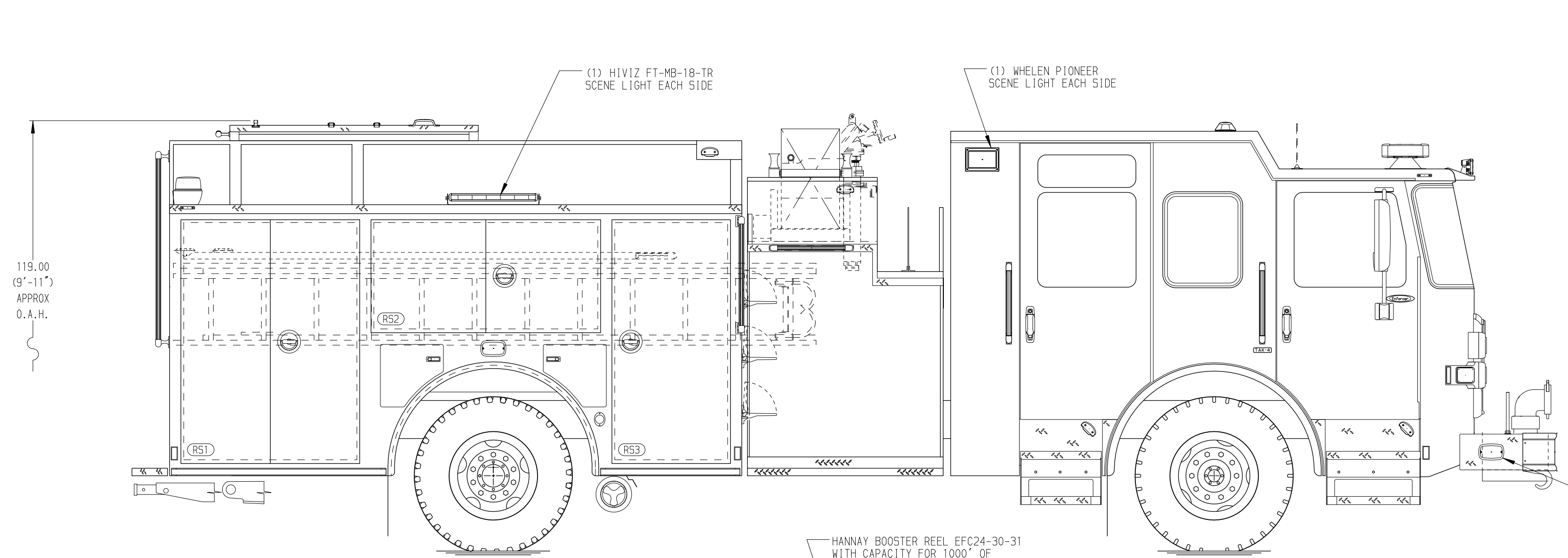
100 Gallon Foam Cell, Not Reduced Water

Side Roll and Frontal Impact Protection

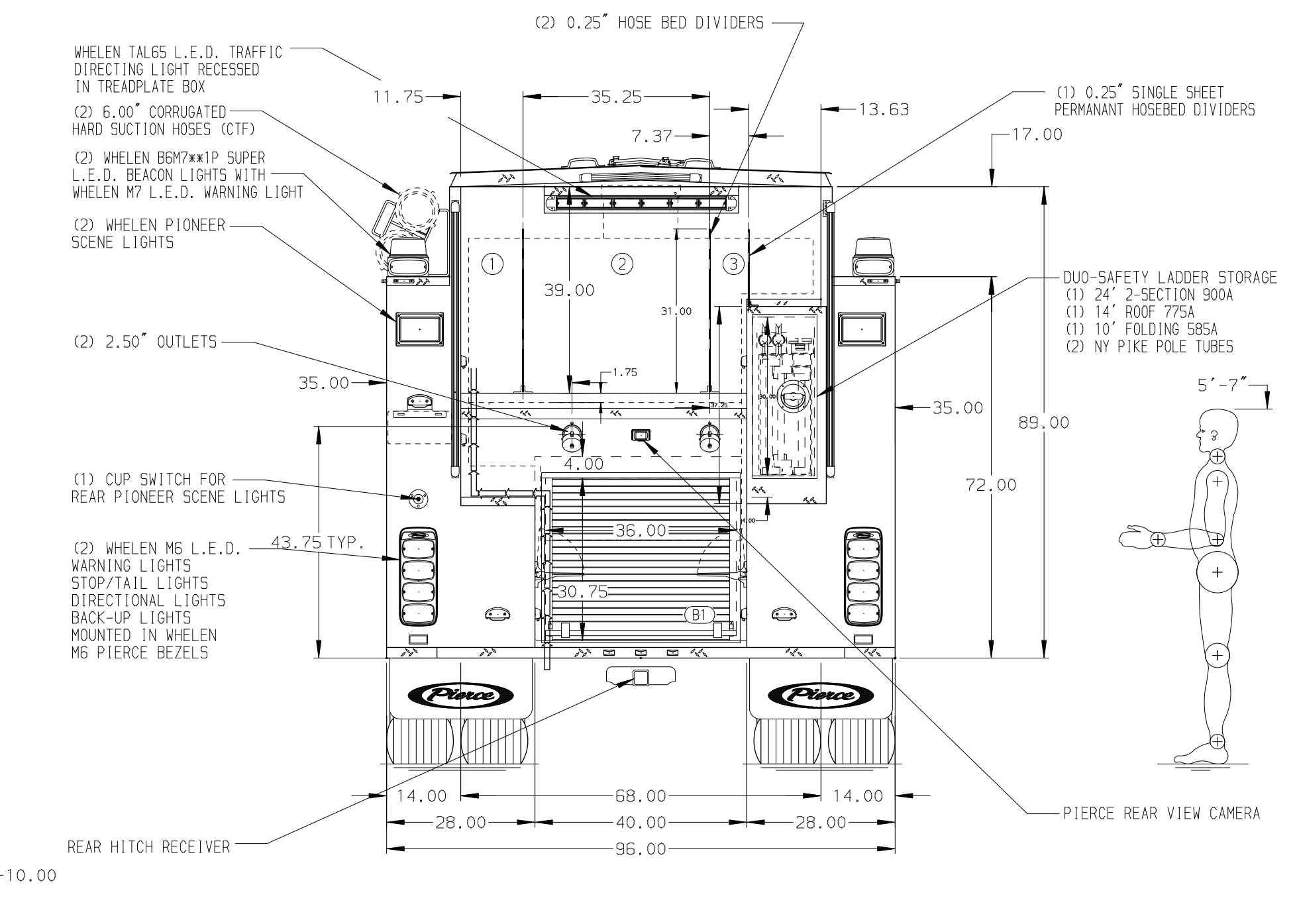
#### NOTE

DIMENSIONS SHOWN ARE APPROXIMATE AND ARE SUBJECT TO MINOR DEVIATIONS AS MAY OCCUR OR BE NECESSARY IN CONSTRUCTION. MINOR DETAILS NOT SHOWN.

- ONE 2.50" OUTLET WITH 2.50" PIPING AND SWIVEL LOCATED ON TOP BUMPER LEFT SIDE
- SHORELINE RECEPTACLE WITH KISSMALL SUPER AUTO-EJECT LOCATED ON DRIVER SIDE OF THE CAB
- AIR INLET WITH DISCONNECT COUPLING ON THE DRIVER'S SIDE STEPWELL
- BATTERY CHARGER LOCATED PER ORDER
- BATTERY CHARGE INDICATOR LOCATED ON THE DRIVER SIDE SEAT RISER
- SIX ADJUSTABLE SHELVES LOCATED PER ORDER
- ONE SLIDE-OUT TOOLBOARD LOCATED PER ORDER
- PEGBOARD ON BACK WALL LOCATED PER SHOP ORDER
- HOSE STORAGE RACK LOCATED PER SHOP ORDER



HOSEBED CAPACITY	
BED 1	250' OF 2.50" D.J. POLY HOSE
BED 2	1000' OF 4.00" D.J. POLY HOSE
BED 3	300' OF 1.75" D.J. POLY HOSE



		JOB NO.	39936
		SCALE	DATE
TITLE Pierce Pumper Approval Drawing		DRAWN BY	LST 04MAR24
		CHECKED BY	MMF 04MAR24
FOR Framingham Fire Department		SHEET SIZE	SHEET NO.
		DWG NO.	39936AD
REV DATE BY CH ENFORCER		1 OF 1	