

PUMPER BODY
Medium Aluminum 2nd Gen Pumper

CHASSIS
Enforcer Chassis

CHASSIS AXLE, FRONT, CUSTOM
18,000 Lb Dana Axle

AXLE, REAR
24,000 Lb Dana Axle

ENGINE
450 HP Cummins L9 Engine

TRANSMISSION
Allison 6th Gen, 3000 EVS P

BUMPER
16" Extended Painted Steel

CAB
7000 Enforcer

BODY WATER TANK
500 Gallon New York Style Water Tank

COMPT, PUMPER, REAR
30.75" FF Lap Rear Compt

COMPT, PUMPER, LEFT SIDE
152" RollUp Full Height Front & Rear FDLR

COMPT, PUMPER, RIGHT SIDE
152" RollUp Full Height Front & Rear FDLR

FIRE SUPPRESSION PUMPHOUSE
48" Control Zone Side Control

PUMP
1500 GPM Darley PSM

CROSSLAYS, 1.50"
(2) 1.50" Crosslays Std. Capacity

CROSSLAYS, 2.50"
(1) 2.50" Crosslay Std. Capacity

SPEEDLAYS
Speedlays Not Required

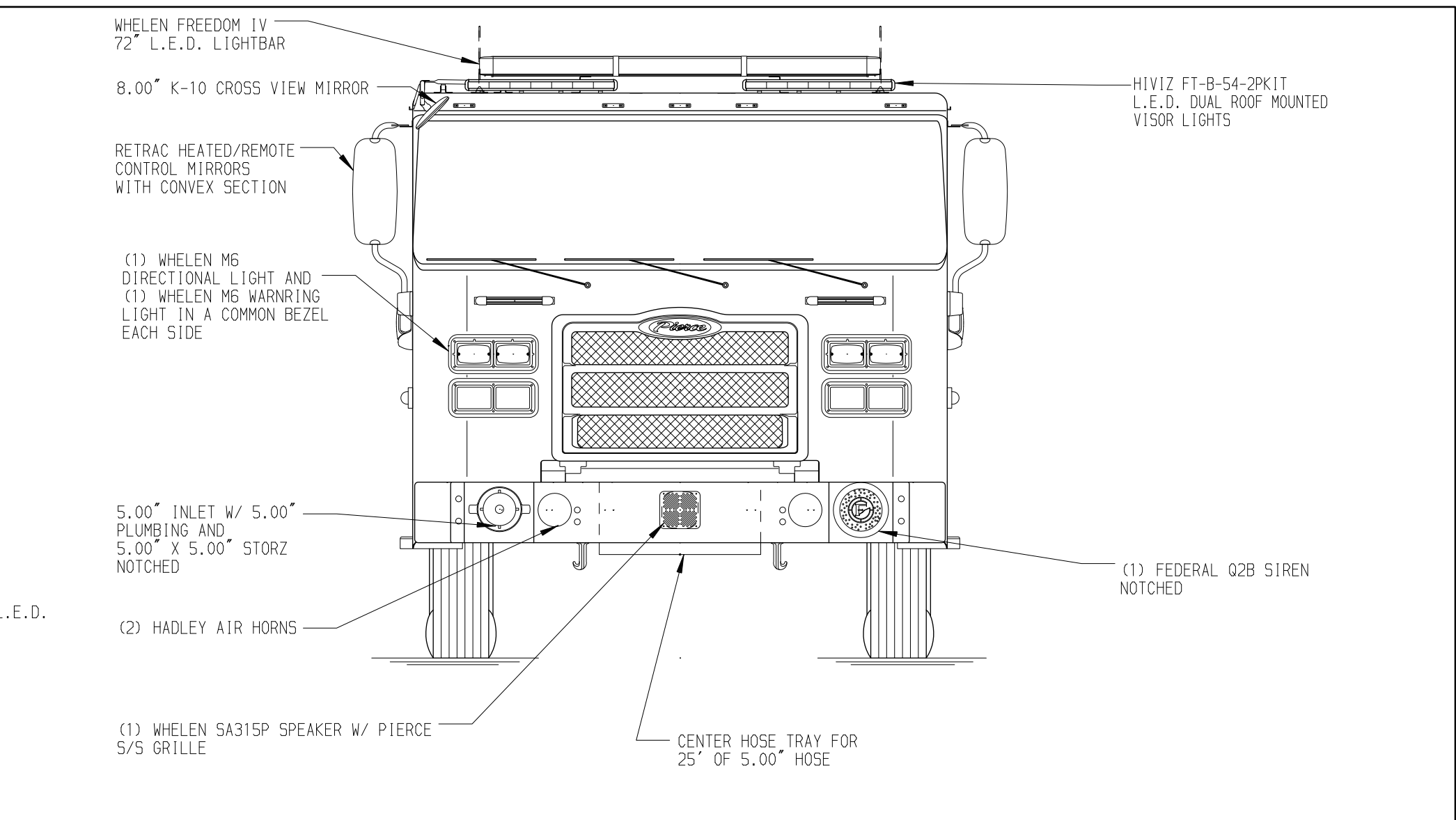
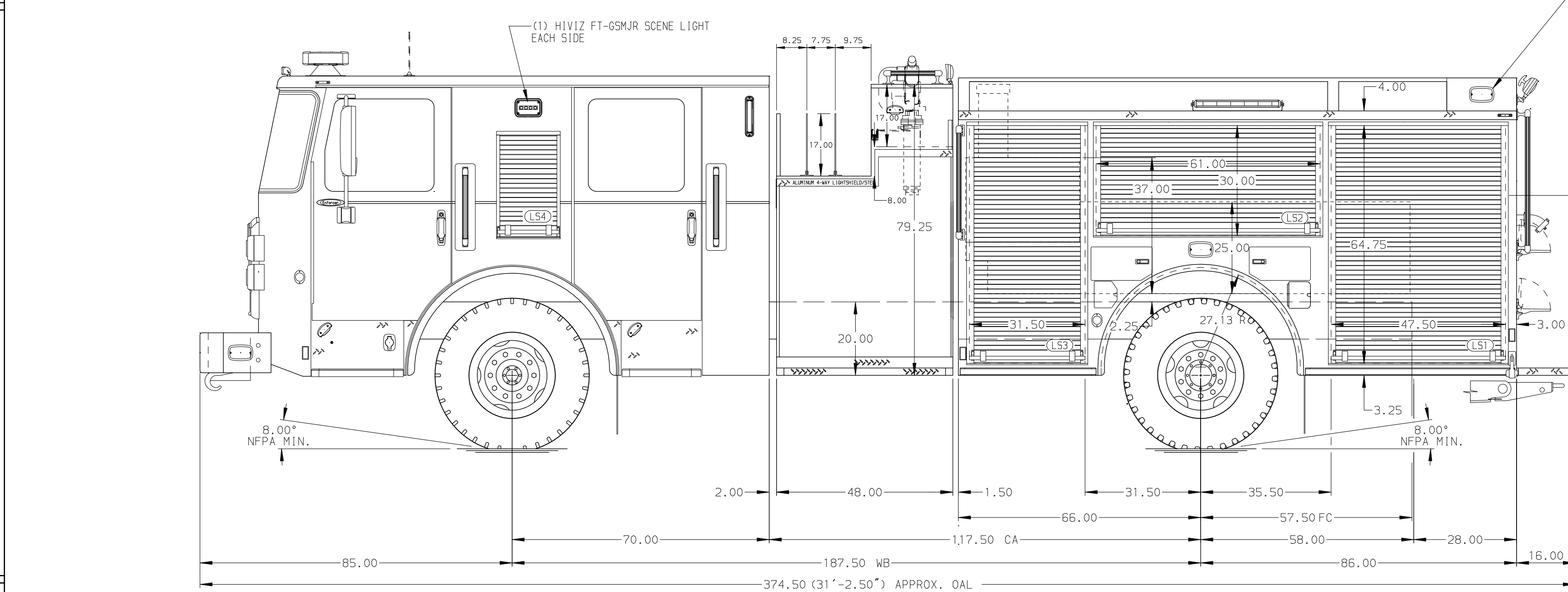
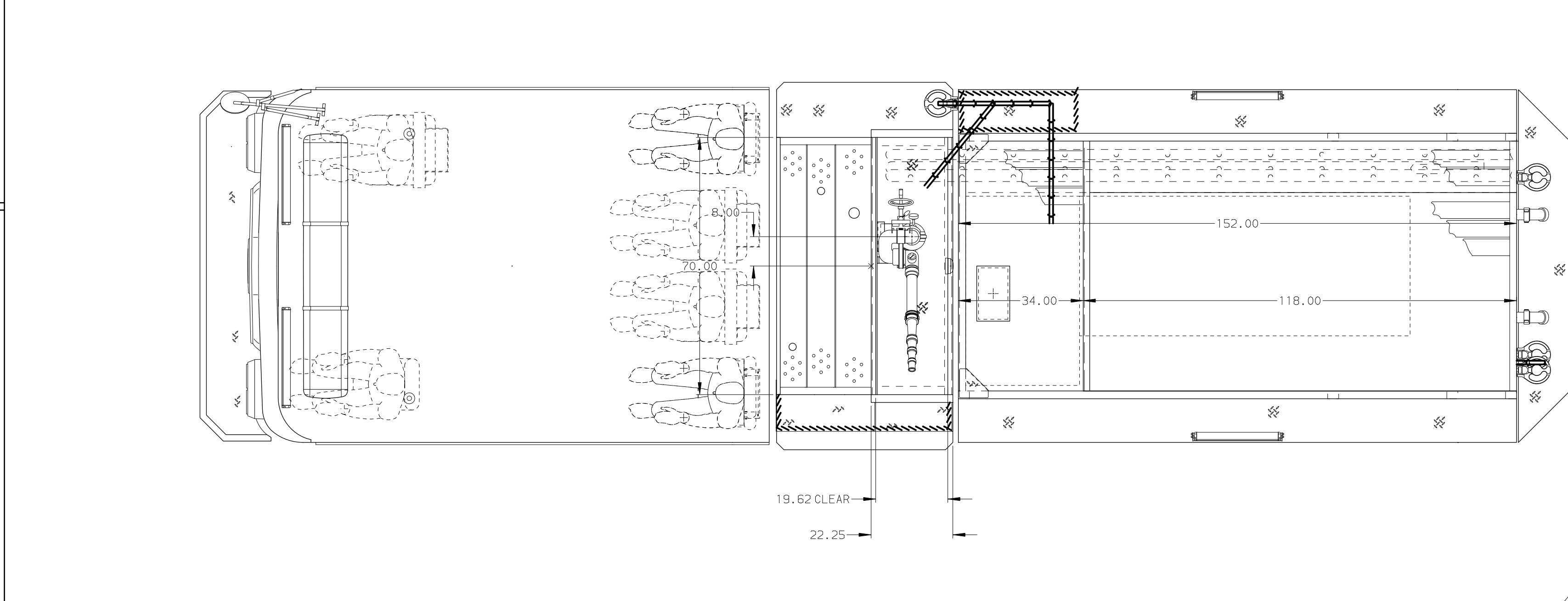
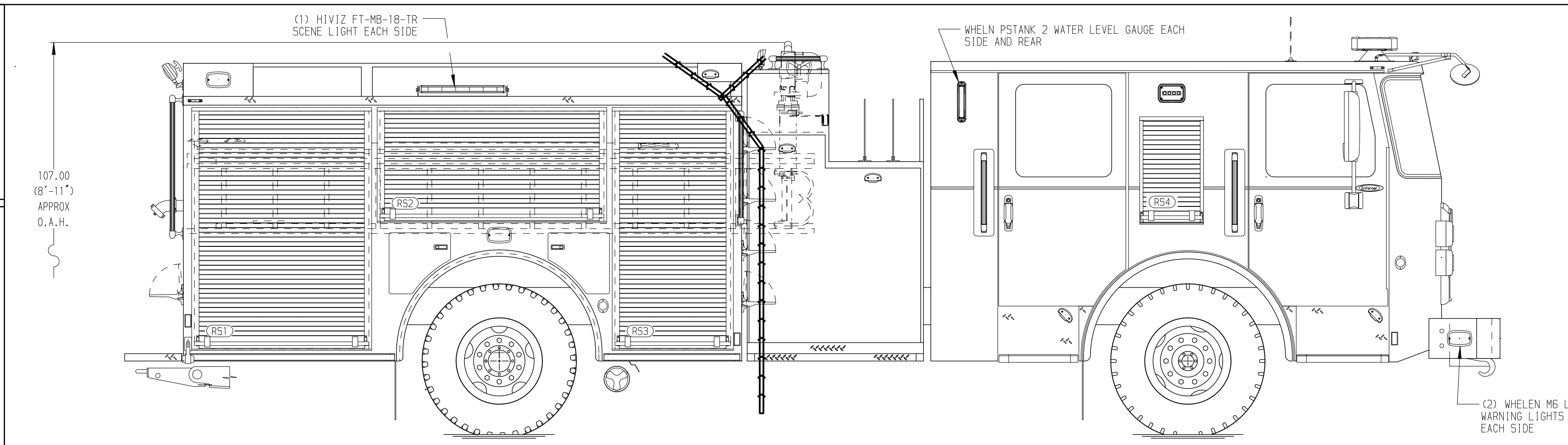
GENERATOR
Generator Not Required

Foam System
Not Required

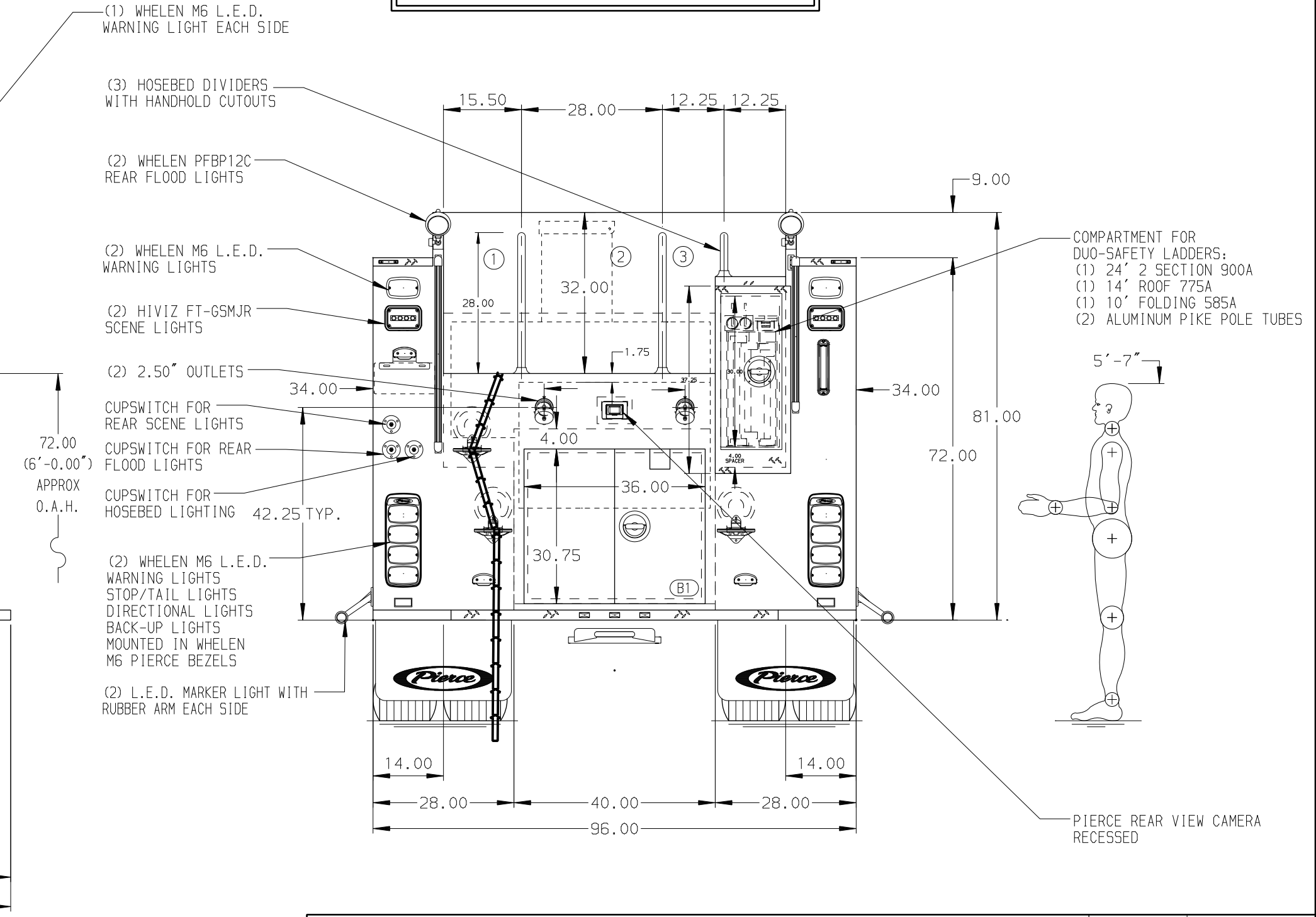
Foam Cell
Not Required

Side Roll and Frontal Impact Protection

NOTE
DIMENSIONS SHOWN ARE APPROXIMATE AND ARE SUBJECT TO MINOR DEVIATIONS AS MAY OCCUR OR BE NECESSARY IN CONSTRUCTION. MINOR DETAILS NOT SHOWN.



HOSEBED CAPACITY	
BED 1	800' OF 2.50" D.J. POLY HOSE
BED 2	1000' OF 4.00" D.J. POLY HOSE
BED 3	150' OF 2.50" D.J. POLY HOSE WITH 200' OF 1.75" D.J. POLY HOSE



Pierce MANUFACTURING INC.		JOB NO.	39932
		SCALE	1:24
		DATE	
TITLE	Pierce Pumper Approval Drawing	DRAWN BY	LST
FOR	Brookline Fire Department	CHECKED BY	MMF
DWG NO.	39932AD	SHEET SIZE	D
		SHEET NO.	1 OF 1

- BATTERY CHARGE INDICATOR LOCATED REAR ON DRIVER'S SEAT RISER
- SHORELINE RECEPTACLE WITH KUSSMALL AUTO-EJECT LOCATED ON DRIVER SIDE STEPWELL
- AIR INLET WITH DISCONNECT COUPLING ON THE DRIVER SIDE STEPWELL
- BATTERY CHARGER LOCATED PER ORDER
- EIGHT ADJUSTABLE SHELVES LOCATED PER ORDER
- THREE FLOOR MOUNTED SLIDE-OUT TRAYS LOCATED PER ORDER
- ONE ALUMINUM SWING OUT TOOLBOARD LOCATED PER ORDER
- PAC TRAC INSTALLED ON THE BACK WALL OF FOUR COMPARTMENTS PER ORDER
- MOUNTING BRACKETS FOR THE WHEEL CHOCKS PROVIDED BY THE FIRE DEPARTMENT
- TWO 120V NEMA DUPLEX RECEPTACLES LOCATED IN THE CAB

REV	DATE	BY	CH	ENFORCER
17DEC24	LST	JLL		CHASSIS DATA
22JUL24	LST	JLL		MAKE
16MAY24	LST	JLL		PIERCE
				MODEL