

PUMPER BODY
Long Aluminum 2nd Gen Pumper

CHASSIS
Enforcer Chassis

CHASSIS AXLE, FRONT, CUSTOM
18,000 Lb Dana Axle

AXLE, REAR
27,000 Lb Dana Axle

ENGINE
450 HP Cummins L9 Engine

TRANSMISSION
Allison 6th Gen, 3000 EVS P

BUMPER
26" Extended Painted Steel

CAB
6010 Enforcer Cab

BODY TOTAL TANK CAPACITY
1000 Gallon Poly Tank

WATER CAPACITY
1000 Gallons of Water

FOAM CELL
No Foam Cell Required

COMPT, PUMPER, REAR
44.50" FF Rollup Rear Compt

COMPT, PUMPER, LEFT SIDE
161" Rollup Full Height Front & Rear FDLR

COMPT, PUMPER, RIGHT SIDE
161" Rollup Full Height Front & Rear FDLR

FIRE SUPPRESSION PUMPHOUSE
45" Control Zone Side Mount

PUMP
1500 GPM Waterous CSU

CROSSLAYS, 1.50"
1.50" CrossLays Not Required

CROSSLAYS, 2.50"
2.50" CrossLay Not Required

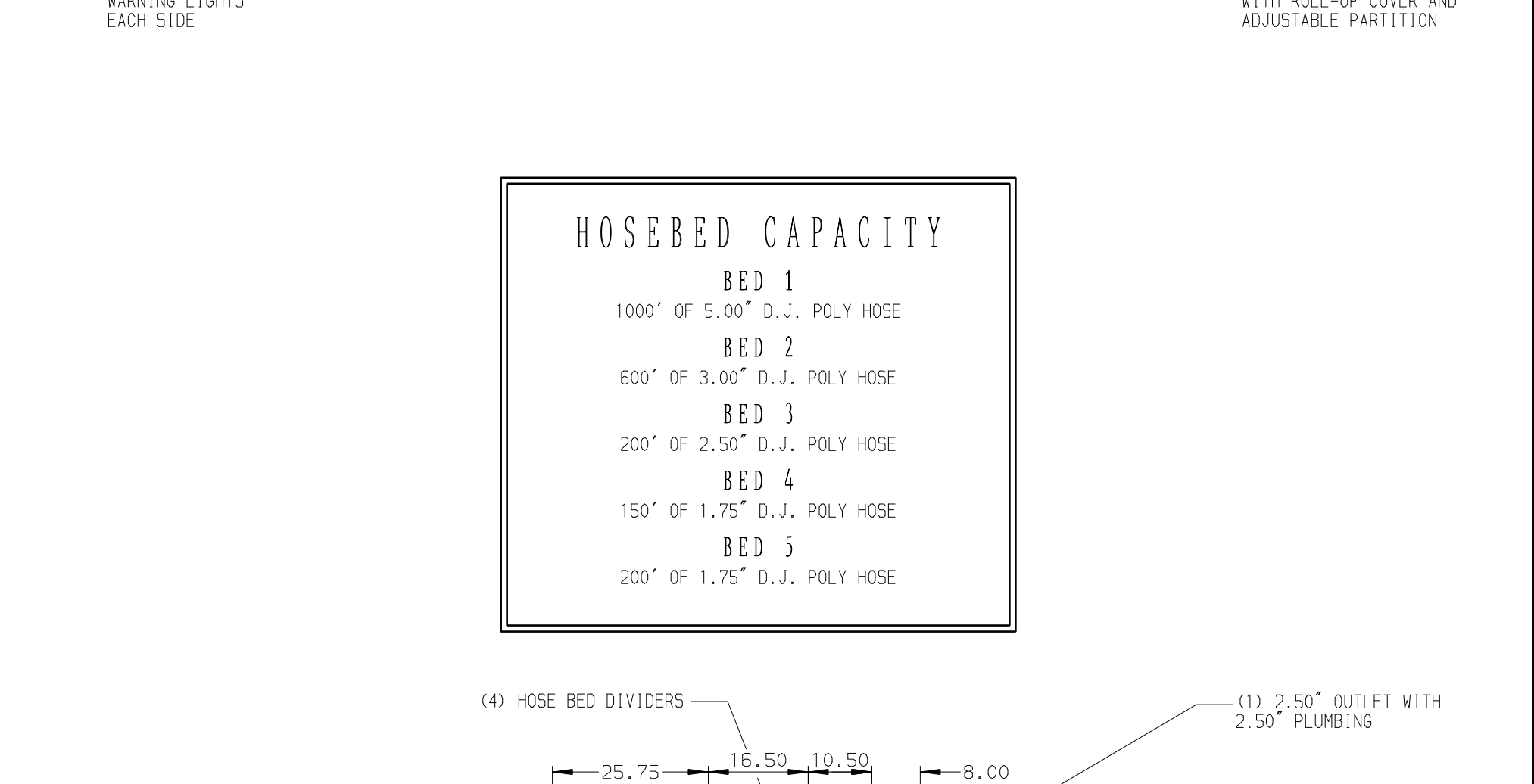
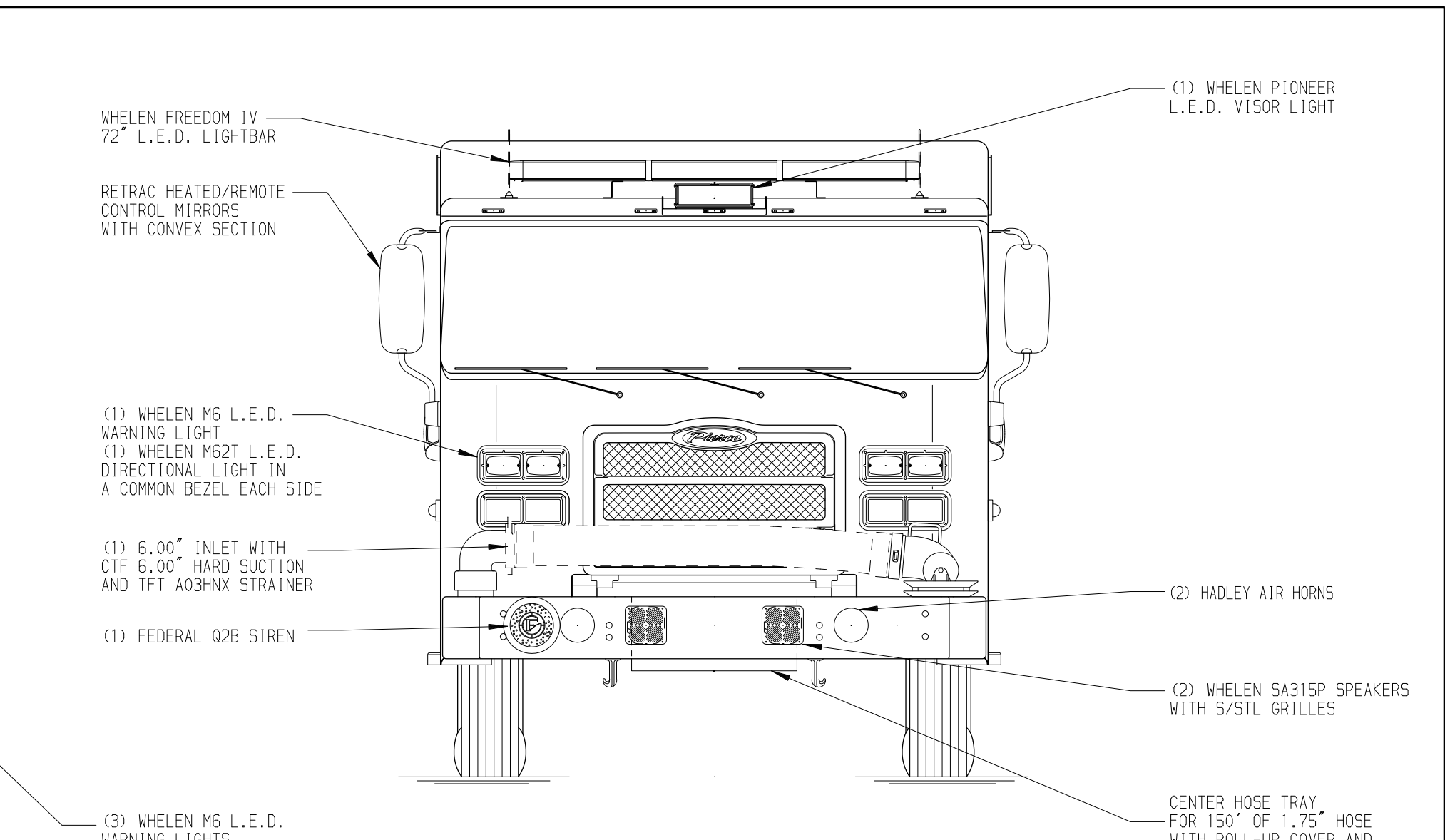
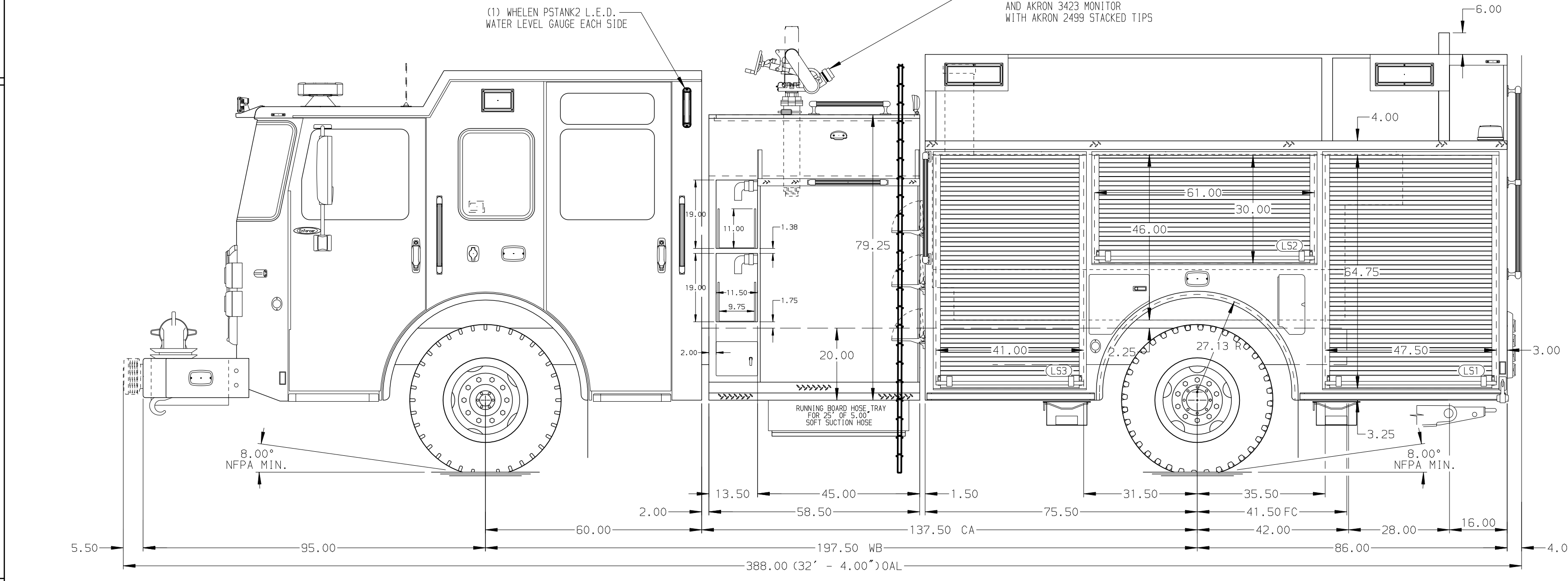
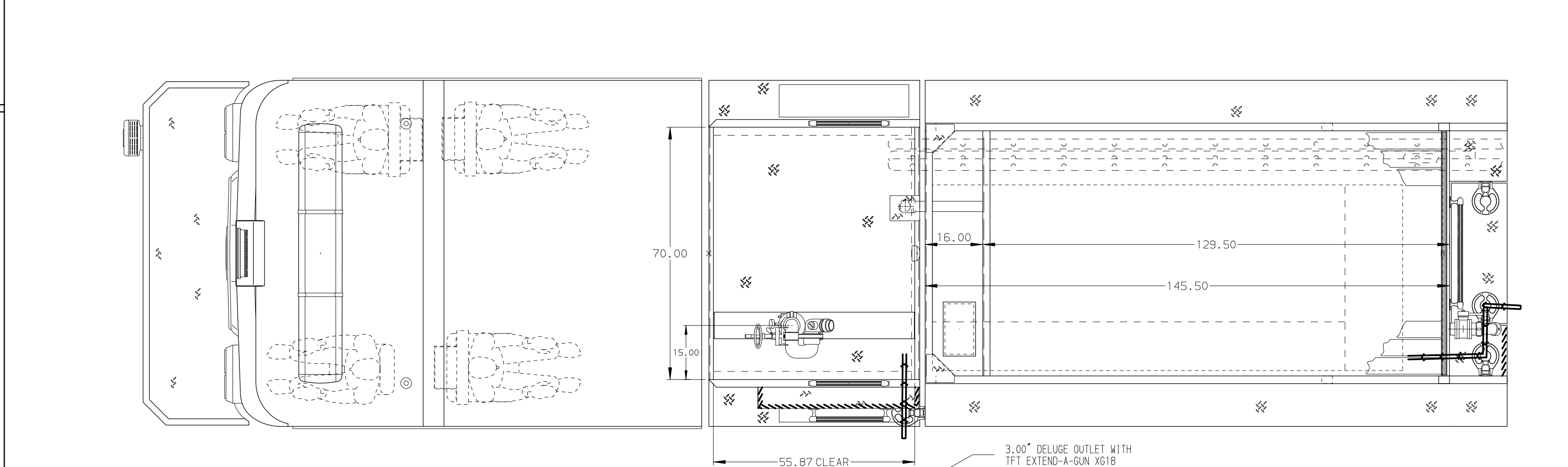
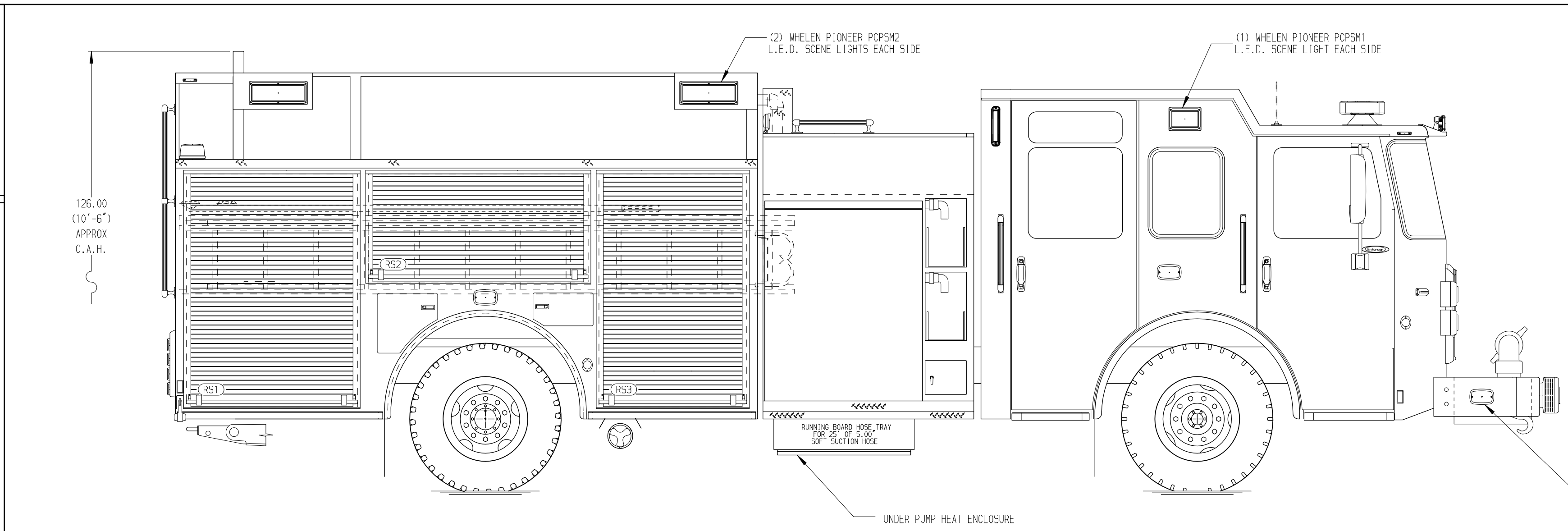
SPEEDLAYS
(2) 1.50" SpeedLays w/ Poly Trays

GENERATOR
Generator Not Required

FOAM SYSTEM
Foam System Not Required

SAFETY
Frontal Impact Protection

NOTE
DIMENSIONS SHOWN ARE APPROXIMATE AND ARE SUBJECT TO MINOR DEVIATIONS AS MAY OCCUR OR BE NECESSARY IN CONSTRUCTION. MINOR DETAILS NOT SHOWN.



HOSEBED CAPACITY	
BED 1	1000' OF 5.00" D.J. POLY HOSE
BED 2	600' OF 3.00" D.J. POLY HOSE
BED 3	200' OF 2.50" D.J. POLY HOSE
BED 4	150' OF 1.75" D.J. POLY HOSE
BED 5	200' OF 1.75" D.J. POLY HOSE

- ONE 1.50" OUTLET WITH 2.00" PIPING AND SWIVEL LOCATED IN CENTER BUMPER TRAY
- SHOULDER RECEPTACLE WITH STRAIGHT BLADE NEMA 5-20 LOCATED ON CAB ABOVE FRONT WHEEL
- AIR INLET WITH DISCONNECT COUPLING RECESSED IN THE DRIVER SIDE STEPWELL
- BATTERY CHARGER LOCATED PER ORDER
- BATTERY CHARGE INDICATOR LOCATED ON DRIVER SEAT RISER
- NINE ADJUSTABLE SHELVES LOCATED PER ORDER
- THREE FLOOR MOUNTED SLIDE-OUT TRAY LOCATED PER ORDER
- ONE SWING-OUT TOOLBOARD WITH PEGBOARD PATTERN LOCATED PER ORDER
- ONE TOOLBOARD ADDED TO SLIDE-OUT TRAY LOCATED PER ORDER
- FIVE PEGBOARDS MOUNTED ON THE BACK WALL OF COMPARTMENTS LOCATED PER ORDER

11. PARTITION BETWEEN COMPARTMENTS L51/B1 AND R51/B1

		JOB NO.	39890
		SCALE	DATE
		1:24	
TITLE		Pierce Pumper Approval Drawing	DRAWN BY
CHASSIS DATA			JJB
MAKE			18JAN24
PIERCE		FOR	CHECKED BY
MODEL		Wander Lake Fire Protection District	AMI
ENFORCER			18JAN24
REV	DATE	BY	CH
1	16MAY24	JJB	GKH
2	06MAY24	JJB	GKH
3	08MAR24	AMI	GKH
DWG NO.		39890AD	
SHEET NO.		D	
SHEET SIZE		1 OF 1	