

Pumper, PUC

Body
Pumper, PUC, Aluminum
Chassis
Enforcer Chassis, PUC

CHASSIS

AXLE, FRONT, CUSTOM
18,000 Lb Dana Axle
AXLE, REAR
31,000 Lb Dana Axle

ENGINE
450 HP Cummins L9 Engine

TRANSMISSION
Allison 6th Gen, 3000 EVS P

BUMPER
22" Extended Stainless Steel

CAB
7010 Enforcer Cab, PUC

BODY

TOTAL TANK CAPACITY
750 Gallon Poly Tank

WATER CAPACITY
750 Gallons of Water

FOAM CELL CAPACITY
Foam Cell Not Required

COMPT, PUMPER, REAR
33.50" FF RollUp Rear Compt w/Tailboard, PUC

COMPT, PUMPER, LEFT SIDE
189" RollUp Full Height & Depth Front & Rear, PUC

COMPT, PUMPER, RIGHT SIDE
189" RollUp Full Height & Depth Front & Rear, PUC

FIRE SUPPRESSION

PUMPHOUSE
Control Zone, PUC

PUMP
1500 GPM Pierce PUC

CROSSLAYS, 1.50"
(2) 1.50", Poly Trays, 200'

CROSSLAYS, 2.50"
2.50" Crosslays Not Required

SPEEDLAYS

GENERATOR
Generator Not Required

FOAM SYSTEM
Foam System Not Required

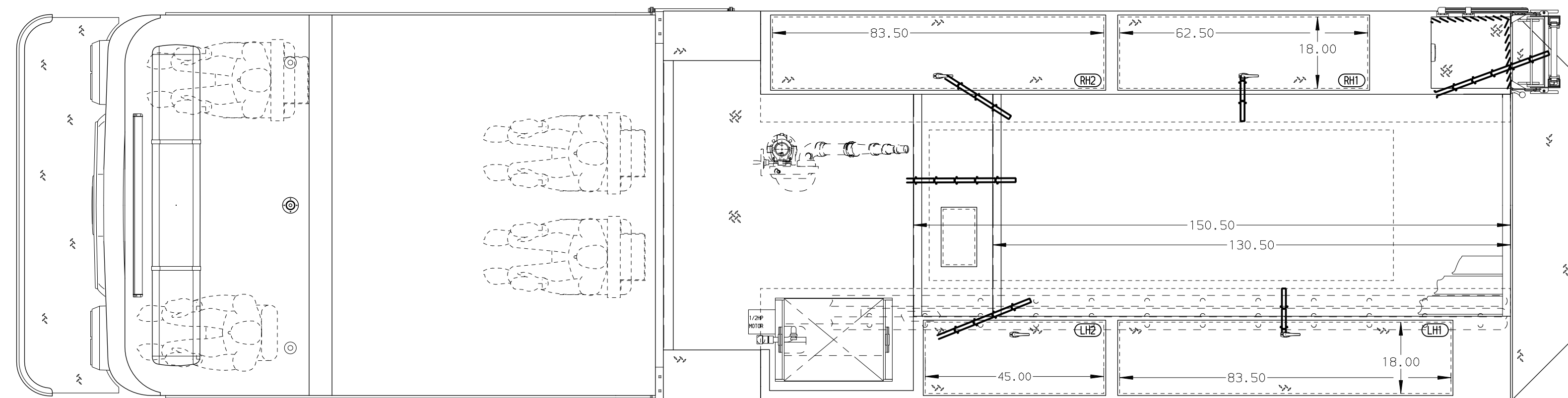
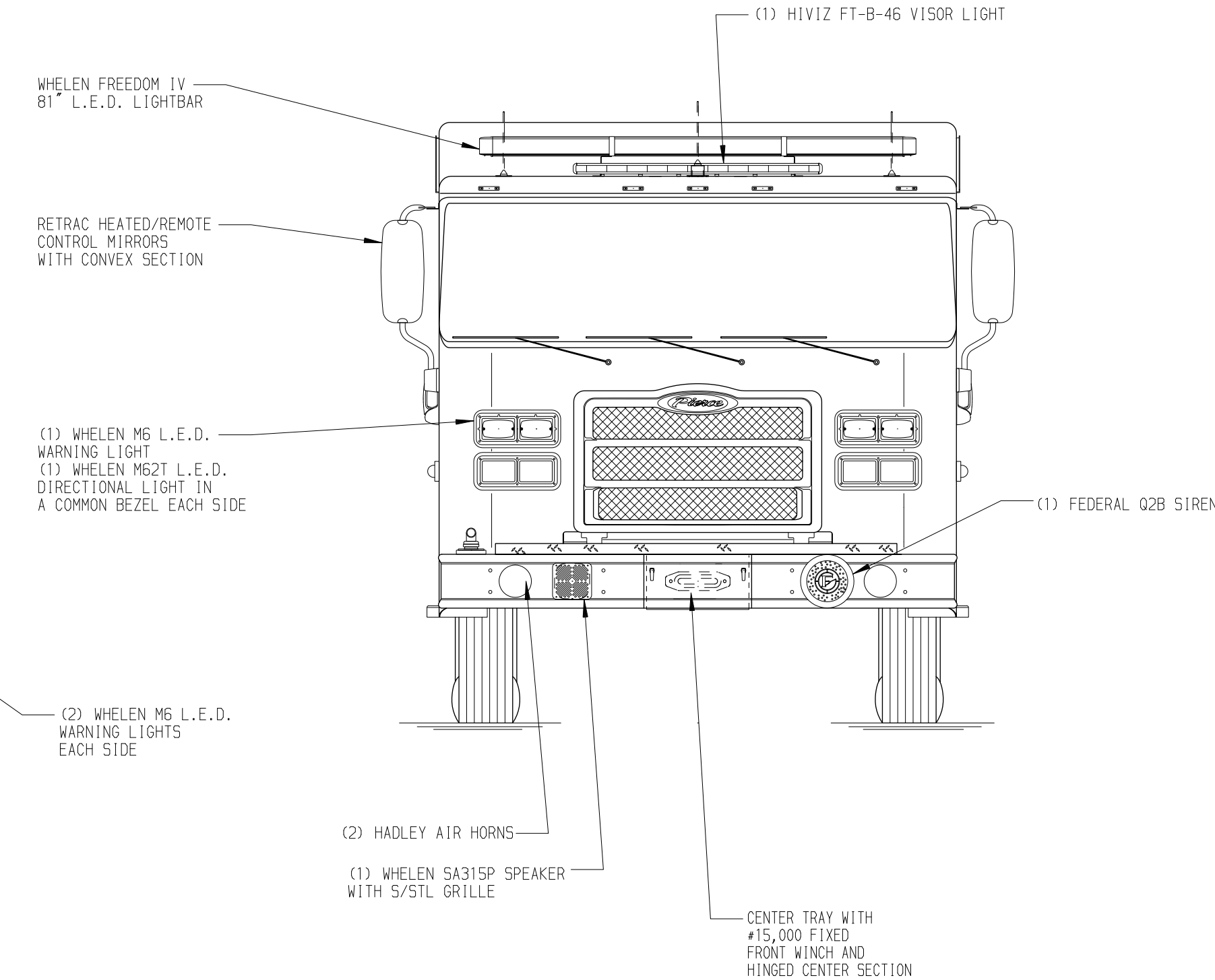
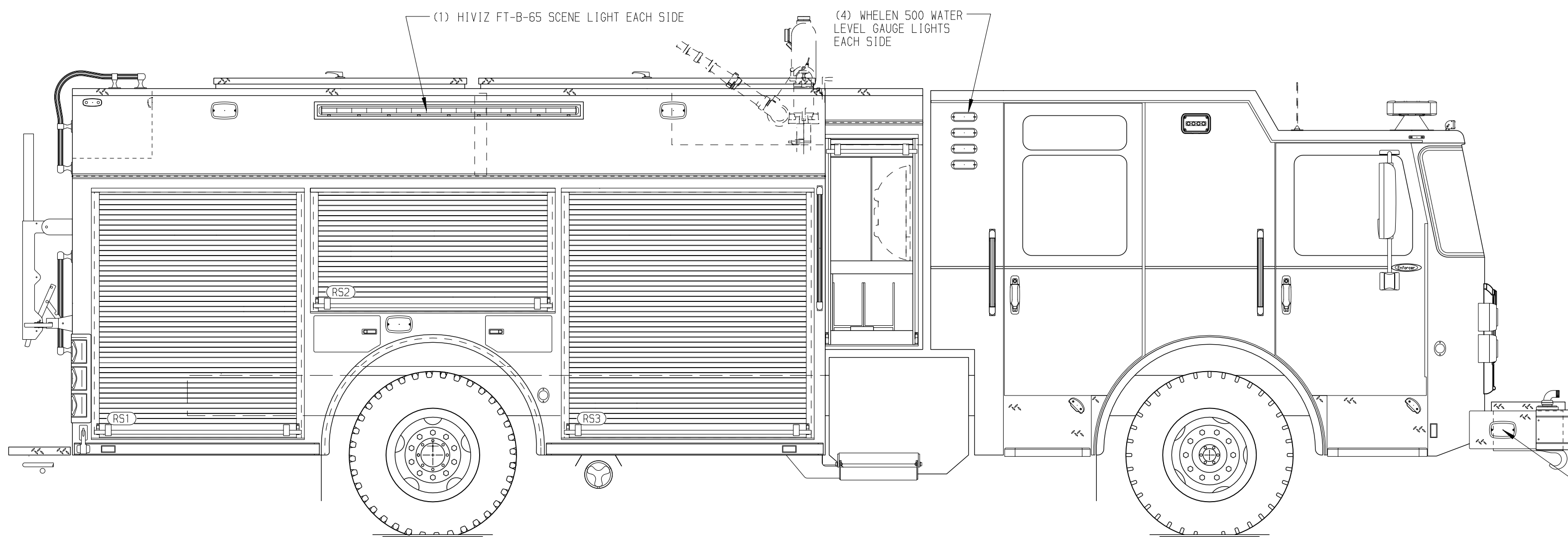
SAFETY

Side Roll and Frontal Impact Protection

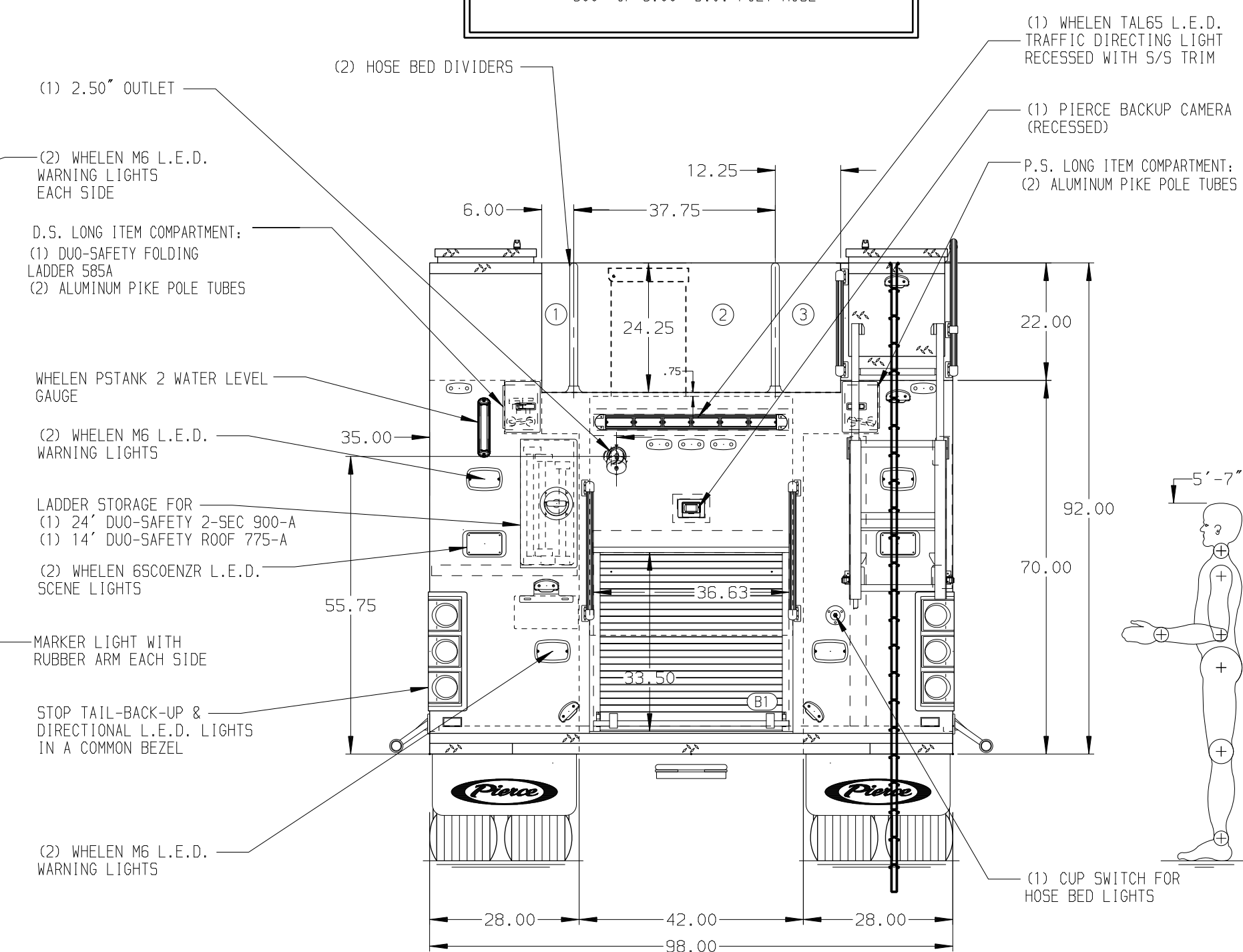
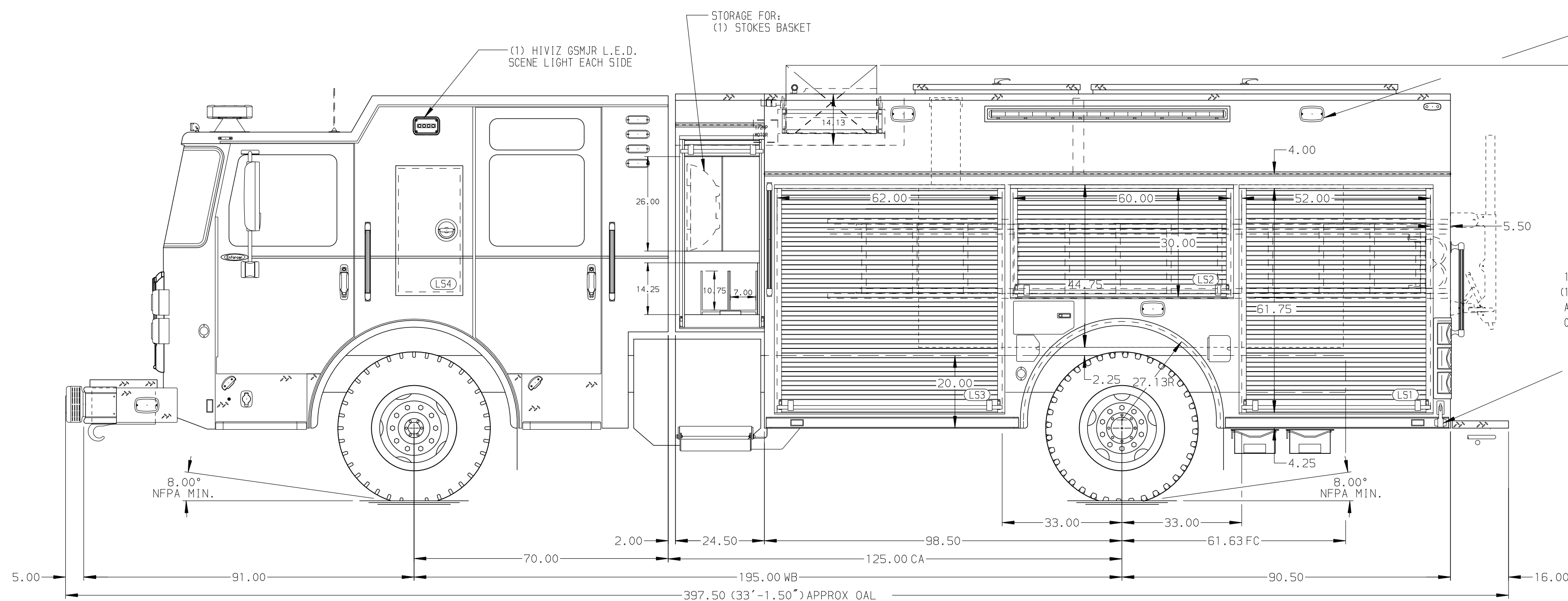
NOTE
DIMENSIONS SHOWN ARE APPROXIMATE AND ARE SUBJECT TO MINOR DEVIATIONS AS MAY OCCUR OR BE NECESSARY IN CONSTRUCTION. MINOR DETAILS NOT SHOWN.

- ONE 1.50" OUTLET WITH 2.00" PIPING AND SWIVEL LOCATED ON TOP OF THE RIGHT SIDE OF THE BUMPER
- SHORELINE RECEPTACLE WITH KUSSMAUL SUPER AUTO-EJECT LOCATED ON DRIVER SIDE STEPWELL
- AIR INLET WITH DISCONNECT COUPLING ON THE DRIVER SIDE STEPWELL
- BATTERY CHARGER LOCATED PER ORDER
- BATTERY CHARGE INDICATOR LOCATED ON DRIVER SEAT RISER
- FIVE ADJUSTABLE SHELVES LOCATED PER ORDER
- TWO FLOOR MOUNTED SLIDE-OUT TRAYS LOCATED PER ORDER
- ONSPOT AUTOMATIC TIRE CHAINS TO BE PROVIDED AT THE REAR
- ONE SLIDE-OUT ALUMINUM TOOLBOARD LOCATED PER ORDER
- ONE SWING-OUT ALUMINUM TOOLBOARD LOCATED PER ORDER

- ONE VERTICAL PARTITION LOCATED PER ORDER
- TWO ALUMINUM PEGBOARDS W/ TRACK MOUNTED ON THE BACK WALL PER ORDER
- ONE FIVE SLOT AIR BAG RACK LOCATED PER ORDER
- ONE 2100 AIR BOTTLE HOLDER LOCATED PER ORDER
- HANNAY MODEL SBEF 32-21-22-8 BOOSTER REEL WITH 200' OF 1.00" BOOSTER HOSE IN THE CARGO AREA ON THE LEFT SIDE
- AIR OUTLET LOCATED ON THE PUMP PANEL



HOSEBED CAPACITY	
BED 1	200' OF 2.50" D.J. POLY HOSE
BED 2	1200' OF 5.00" NITRILE RUBBER HOSE
BED 3	500' OF 3.00" D.J. POLY HOSE



Pierce MANUFACTURING INC.		JOB NO.	39757
		SCALE	1:24
		DATE	20MAR24
Pierce Pumper Approval Drawing		DRAWN BY	LST
Wynne Fire Department		CHECKED BY	MMF
		DATE	20MAR24
DWG NO. 39757AD		SHEET SIZE	D
		SHEET NO.	1 OF 1

REV	DATE	BY	CH	ENFORCER
24JUL24	JDA	TOC		
30MAY24	LST	CO5		