

PUMPER BODY

Medium Aluminum 2nd Gen Pumper

CHASSIS

Enforcer Chassis

CHASSIS AXLE, FRONT, CUSTOM

19,500 Lb TAK-4 Axle

AXLE, REAR

24,000 Lb Dana Axle

ENGINE

450 HP Cummins L9 Engine

TRANSMISSION

Allison 6th Gen, 3000 EVS P

BUMPER

19" Extended Painted Steel

CAB

7010 Enforcer Cab

BODY TOTAL TANK CAPACITY

750 Gallon New York Style Poly Tank

WATER CAPACITY

750 Gallons of Water

FOAM CELL

Foam Cell Not Required

COMPT, PUMPER, REAR

37.75" FF RollUp Rear Compt

COMPT, PUMPER, LEFT SIDE

152" RollUp Full Height Front & Rear FDLER

COMPT, PUMPER, RIGHT SIDE

152" RollUp Low FDLER

FIRE SUPPRESSION PUMPHOUSE

45" Control Zone Top Mount

PUMP

1500 GPM Waterous CSU

CROSSLAYS, 1.50"

(2) 1.50" Standard Capacity

CROSSLAYS, 2.50"

2.50" Crosslay Not Required

SPEEDLAYS

SpeedLays Not Required

GENERATOR

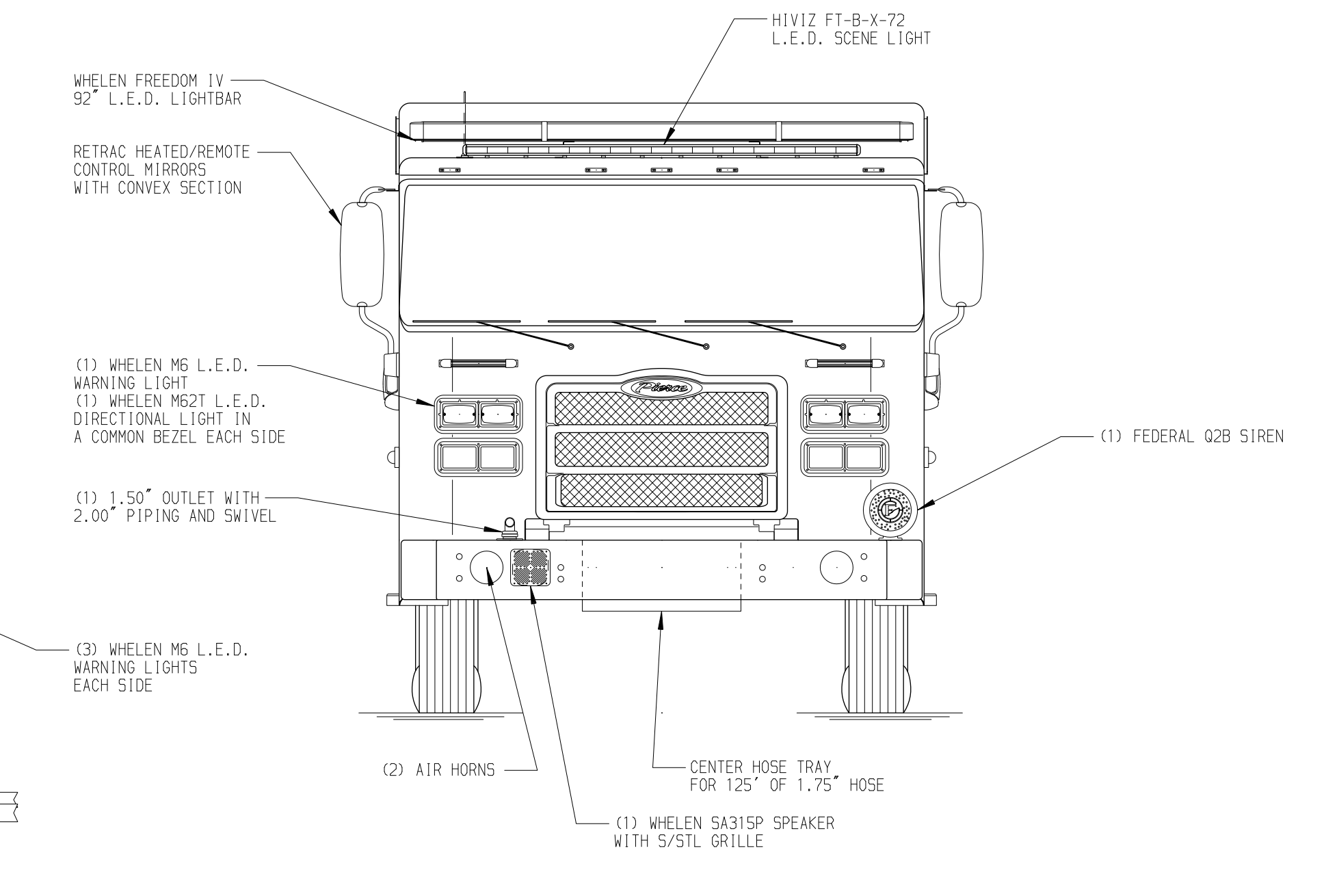
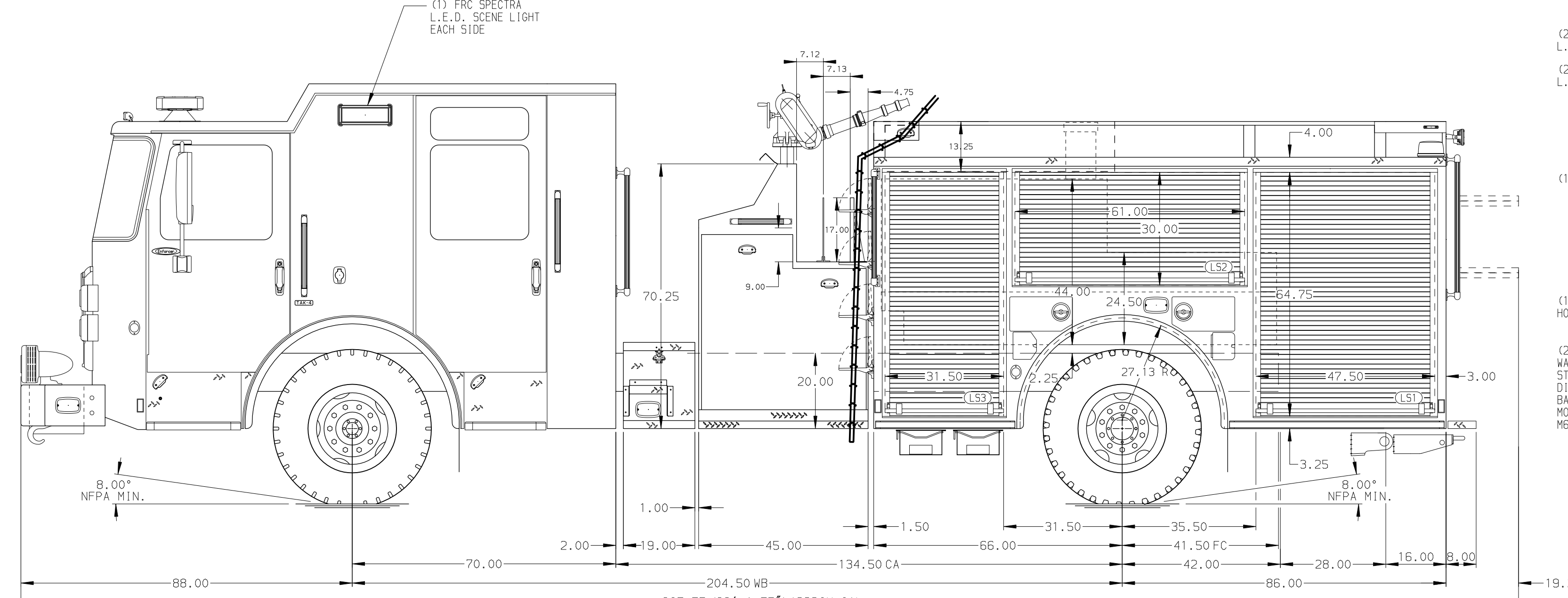
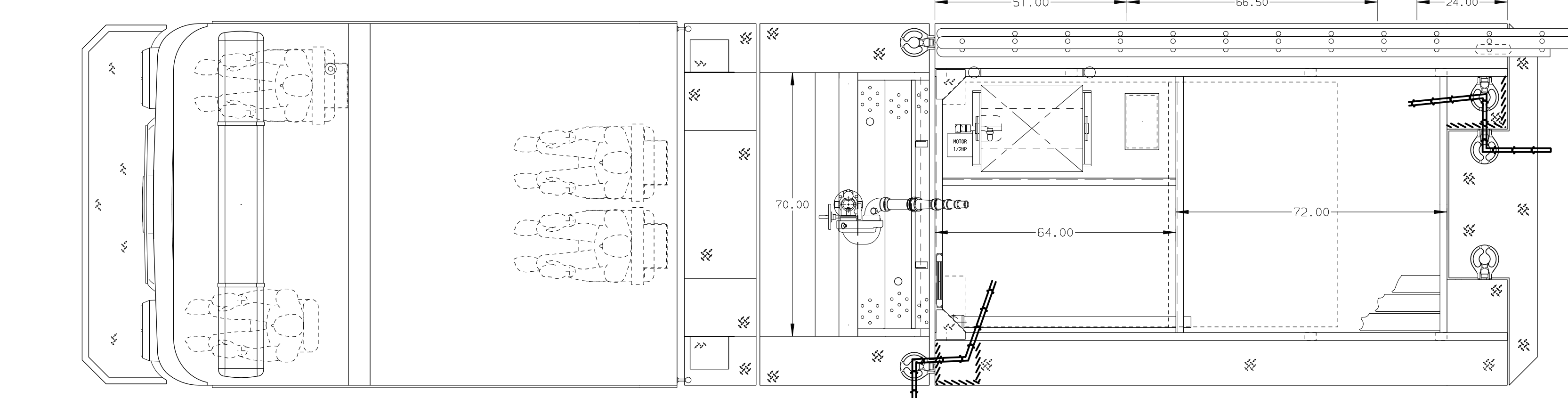
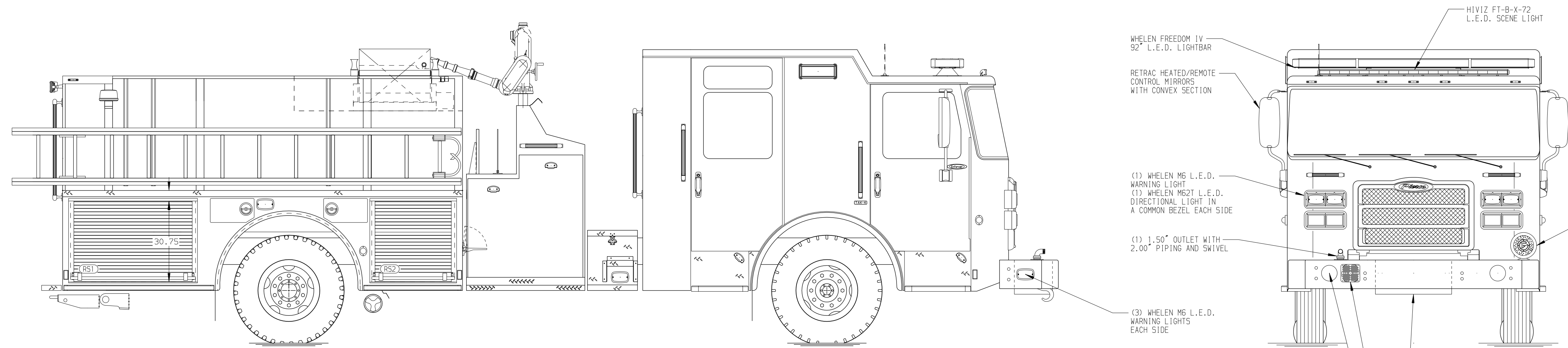
Generator Not Required

FOAM SYSTEM

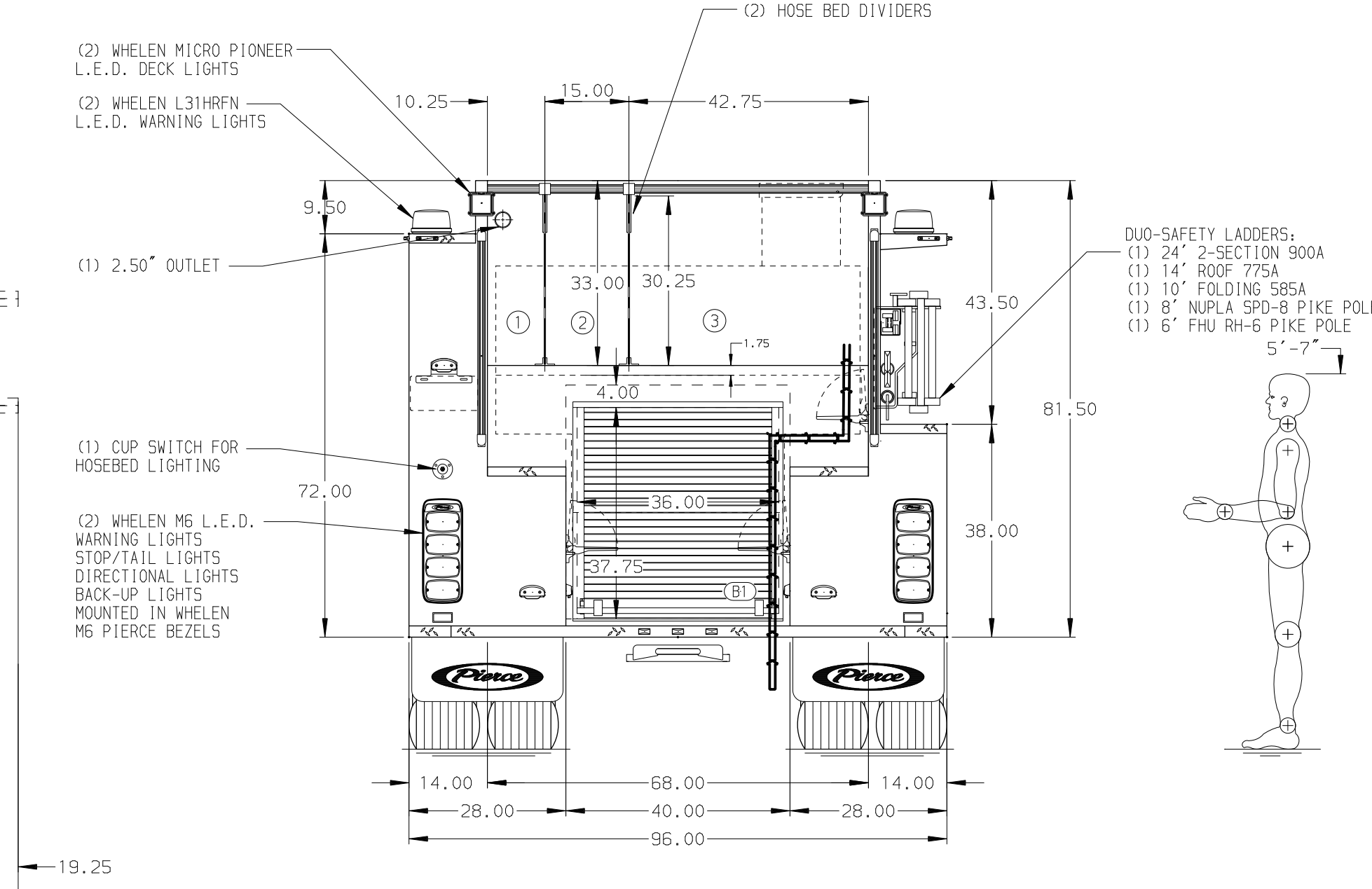
Foam System Not Required

SAFETY

Frontal Impact Protection



HOSEBED CAPACITY	
BED 1	200' OF 2.50" HOSE
BED 2	500' OF 2.50" HOSE
BED 3	1000' OF 5.00" HOSE



NOTE
DIMENSIONS SHOWN ARE APPROXIMATE AND ARE SUBJECT TO MINOR DEVIATIONS AS MAY OCCUR OR BE NECESSARY IN CONSTRUCTION. MINOR DETAILS NOT SHOWN.

- 1. SHORELINE RECEPTACLE WITH KUSSMAUL SUPER AUTO-EJECT LOCATED ON DRIVER SIDE OF THE CAB
- 2. AIR INLET WITH DISCONNECT COUPLING IN THE DRIVER SIDE STEPMILL
- 3. BATTERY CHARGER LOCATED IN COMPARTMENT PER SHOP ORDER
- 4. BATTERY CHARGE INDICATOR LOCATED ON THE DRIVER SIDE SEAT RISER
- 5. FOUR ADJUSTABLE SHELVES LOCATED PER SHOP ORDER
- 6. ONE FLOOR MOUNTED SLIDE-OUT TRAY IN COMPARTMENT PER SHOP ORDER
- 7. ONE SWING-OUT TOOLBOARD LOCATED PER SHOP ORDER
- 8. ALUMINUM PEGBOARD LOCATED PER SHOP ORDER
- 9. HANNAY BOOSTER REEL MODEL SBEP34-23-24 WITH CAPACITY FOR 200' OF 1.00" BOOSTER HOSE LOCATED ABOVE WATER TANK
- 10. PARTITION BETWEEN COMPARTMENTS L51/B1 AND R51/B1
- 11. HOSE STORAGE BRACKET LOCATED PER SHOP ORDER

		JOB NO.	39756												
		SCALE	DATE												
Pierce MANUFACTURING INC.		TITLE	Pierce Pumper Approval Drawing												
		FOR	North Little Rock												
<table border="1"> <tr> <td>REV</td> <td>DATE</td> <td>BY</td> <td>CH</td> </tr> <tr> <td>08APR24</td> <td>JAM</td> <td>CSH</td> <td></td> </tr> <tr> <td>06FEB24</td> <td>JAM</td> <td>CSH</td> <td></td> </tr> </table>		REV	DATE	BY	CH	08APR24	JAM	CSH		06FEB24	JAM	CSH		DWG NO.	39756AD
		REV	DATE	BY	CH										
08APR24	JAM	CSH													
06FEB24	JAM	CSH													
<table border="1"> <tr> <td>CHASSIS DATA</td> <td>MAKE</td> <td>PIERCE</td> </tr> <tr> <td>MODEL</td> <td>ENFORCER</td> <td></td> </tr> </table>		CHASSIS DATA	MAKE	PIERCE	MODEL	ENFORCER		CHECKED BY	21NOV23						
		CHASSIS DATA	MAKE	PIERCE											
MODEL	ENFORCER														
<table border="1"> <tr> <td>SHEET SIZE</td> <td>SHEET NO.</td> </tr> <tr> <td>D</td> <td>1 OF 1</td> </tr> </table>		SHEET SIZE	SHEET NO.	D	1 OF 1	DRAWN BY	22NOV23								
		SHEET SIZE	SHEET NO.												
D	1 OF 1														