

# Pumper, PUC

## BODY

Pumper, PUC, Aluminum

## CHASSIS

Enforcer Chassis, PUC

## CHASSIS

### AXLE, FRONT, CUSTOM

18,000 Lb TAK-4 Axle

### AXLE, REAR

27,000 Lb Dana Axle

### ENGINE

450 HP Cummins L9 Engine

### TRANSMISSION

Allison 6th Gen, 3000 EVS P

### BUMPER

19" Extended Painted Steel

### CAB

7010 Enforcer Cab, PUC

## BODY

### WATER TANK

750 Gallon Poly Water Tank

### COMPT, PUMPER, REAR

33.50" FF RollUp Rear Compt w/Tailboard, PUC

### COMPT, PUMPER, LEFT SIDE

189" RollUp Full Height & Depth Front & Rear, PUC

### COMPT, PUMPER, RIGHT SIDE

189" RollUp Full Height & Depth Front & Rear, PUC

## FIRE SUPPRESSION

### PUMPHOUSE

Control Zone, PUC

### PUMP

1500 GPM Pierce PUC

### CROSSLAYS, 1.50"

(2) 1.50", Poly Trays, 200"

### CROSSLAYS, 2.50"

(1) 2.50", Poly Tray, 200"

### GENERATOR

Harrison 3.6kW Hydraulic Generator

### Foam System

Husky 3 Single Agent Foam System

### Foam Cell

30 Gallon Foam Cell, Not Reduced Water, PUC

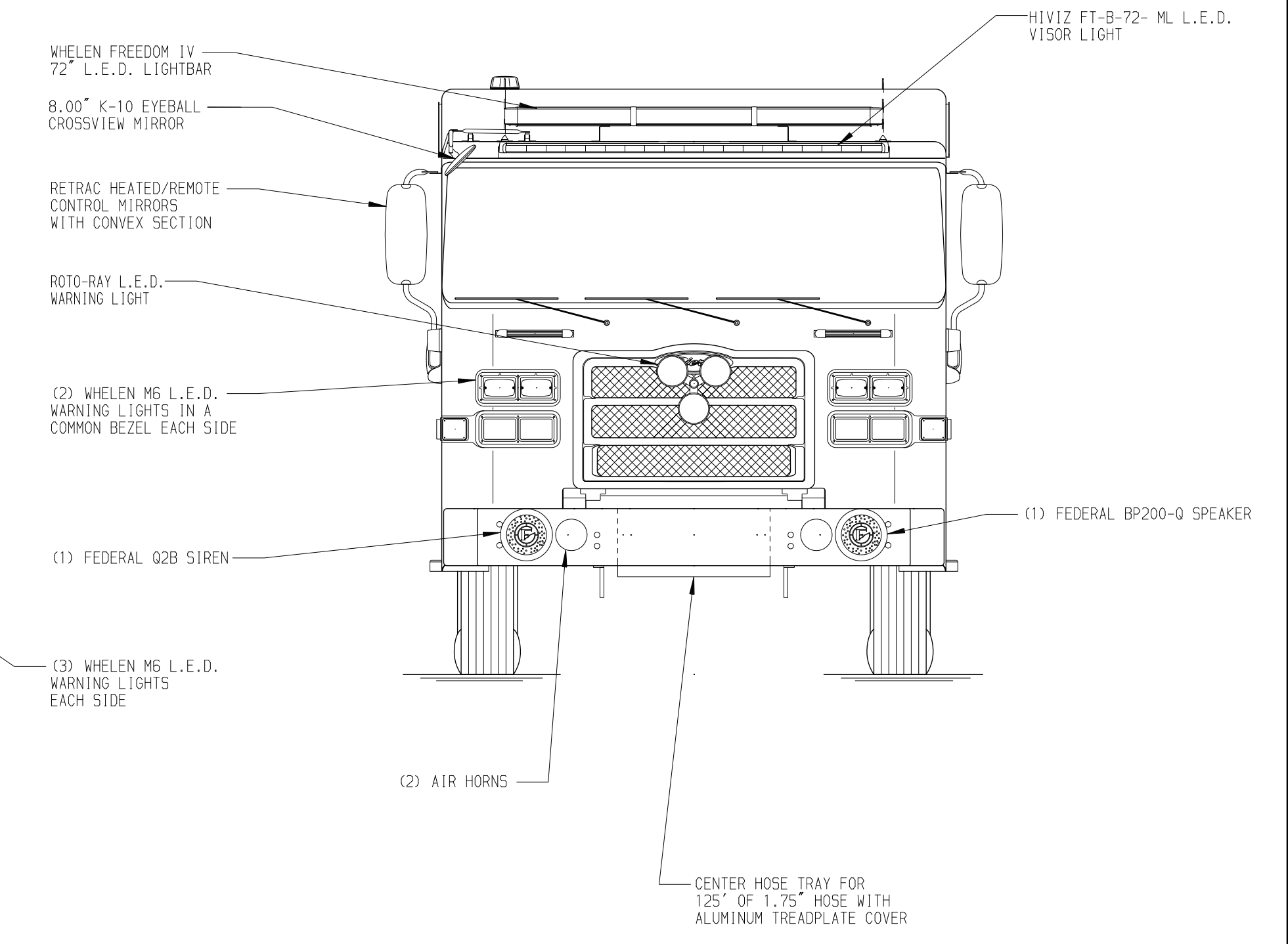
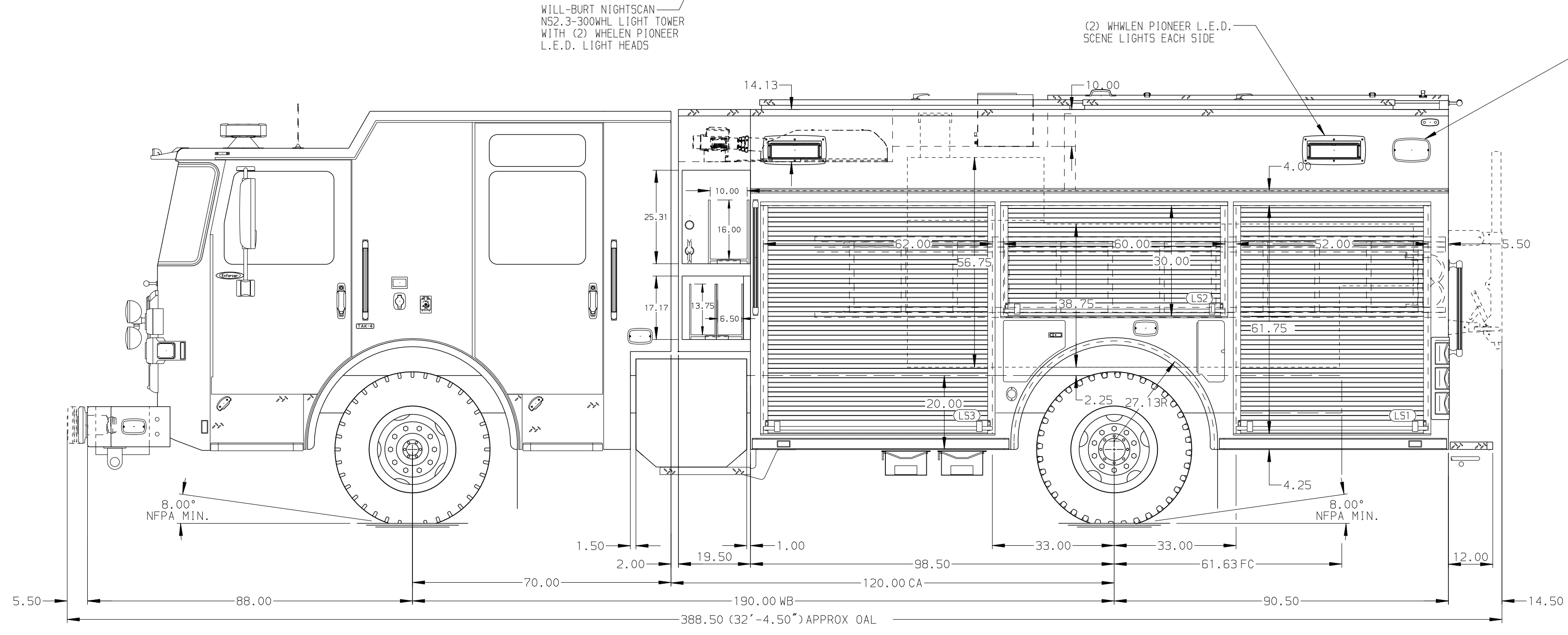
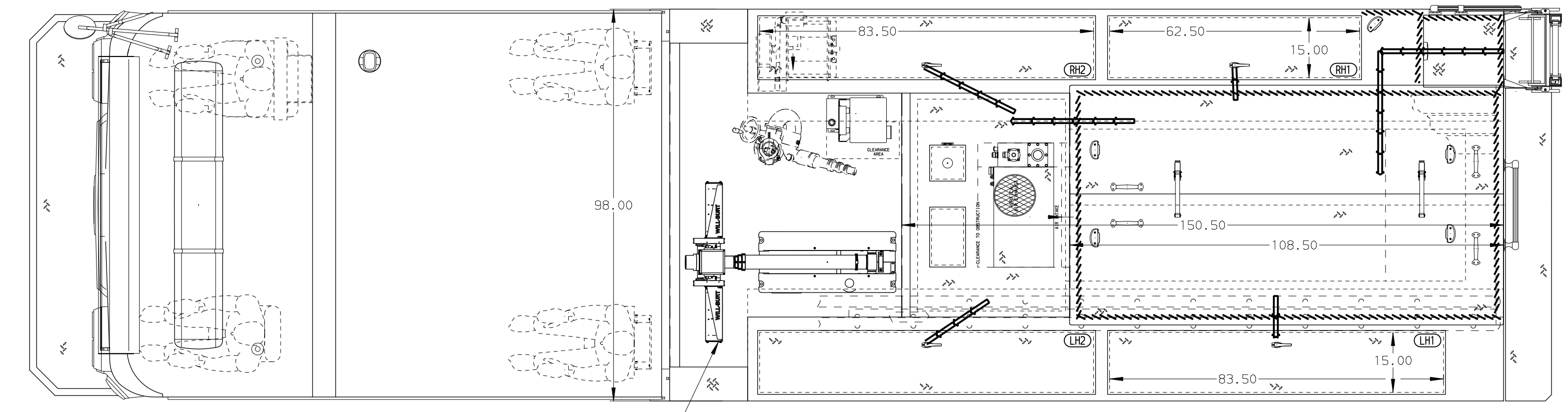
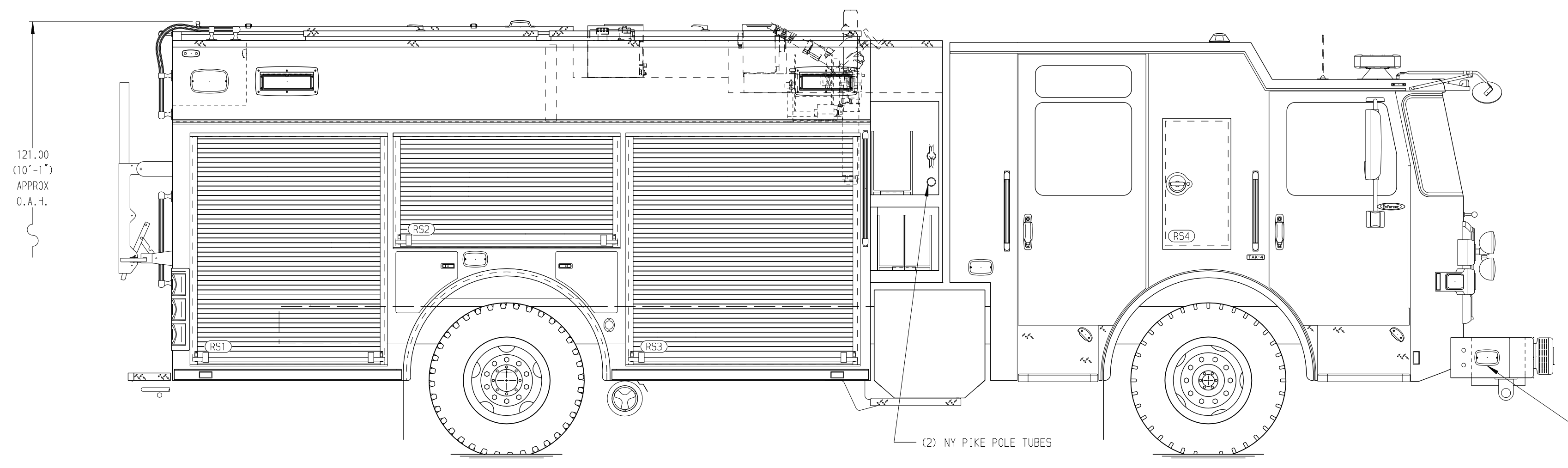
Frontal Impact Protection

### NOTE

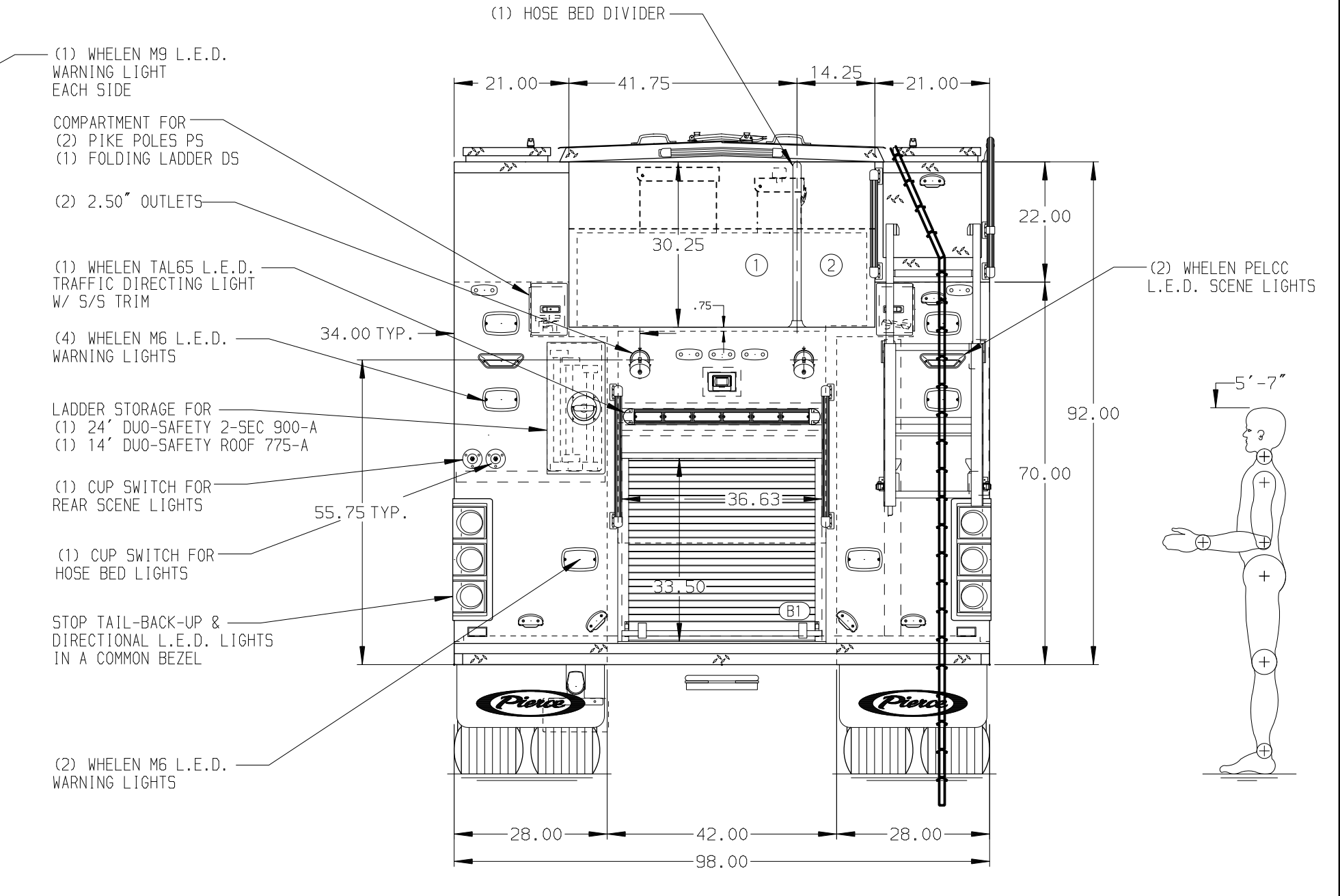
DIMENSIONS SHOWN ARE APPROXIMATE AND ARE SUBJECT TO MINOR DEVIATIONS AS MAY OCCUR OR BE NECESSARY IN CONSTRUCTION. MINOR DETAILS NOT SHOWN.

- SHORELINE RECEPTACLE WITH KUSSMAIL SUPER AUTO-EJECT LOCATED ON DRIVER SIDE OF THE CAB
- AIR INLET WITH KUSSMAIL AIR EJECT WITH WEATHERPROOF COVER LOCATED ON DRIVER SIDE OF THE CAB
- BATTERY CHARGER LOCATED PER ORDER
- BATTERY CHARGE INDICATOR LOCATED ON DRIVER SIDE OF THE CAB
- FIVE ADJUSTABLE SHELVES LOCATED PER ORDER
- FIVE FLOOR MOUNTED SLIDE-OUT TRAYS LOCATED PER ORDER
- CIRCUIT BREAKER PANEL LOCATED PER ORDER
- HANNAY CABLE REEL MODEL 1618-17-18 LOCATED IN RS HATCH COMPARTMENT WITH 200" OF 10/3 CABLE
- FIVE 120V DUPLEX RECEPTACLES LOCATED PER SHOP ORDER
- TWO ADJUSTABLE TILT/SLIDE-OUT TRAYS LOCATED PER ORDER

- ONE SWING-OUT TOOLBOARD WITH PAC TRAC LOCATED PER ORDER
- THREE ALUMINUM PEGBOARDS MOUNTED ON THE BACK WALL LOCATED PER ORDER
- 1.50" OUTLET W/ 2.00" PLUMBING LOCATED IN THE CENTER BUMPER TRAY



HOSEBED CAPACITY	
BED 1	1000' OF 5.00" D.J. POLY HOSE
BED 2	600' OF 2.50" D.J. POLY HOSE



		JOB NO.	39443
		SCALE	DATE
Pierce Pumper Approval Drawing Freeport Fire Department		DRAWN BY	LST 11SEP23
		CHECKED BY	MMF 12SEP23
DWG NO. 39443AD		SHEET SIZE	SHEET NO.
		D	1 OF 1

REV	DATE	BY	CH	ENFORCER
06DEC23	LST	ZWE		PIERCE
28NOV23	LST	ZWE		PIERCE