

PUMPER BODY

Long Aluminum 2nd Gen Pumper

CHASSIS

Enforcer Chassis

CHASSIS AXLE, FRONT, CUSTOM

20,000 Lb Dana Axle

AXLE, REAR

27,000 Lb Dana Axle

ENGINE

450 HP Cummins L9 Engine

TRANSMISSION

Allison 6th Gen, 3000 EVS P

BUMPER

19" Extended Pointed Underlung

CAB

6010 Enforcer Cab

BODY WATER TANK

1000 Gallon Poly Water Tank

COMPT, PUMPER, REAR

44.50" FF RollUp Rear Compt

COMPT, PUMPER, LEFT SIDE

161" RollUp Full Height Front & Rear FDLR

COMPT, PUMPER, RIGHT SIDE

161" RollUp Full Height Front & Rear FDLR

FIRE SUPPRESSION PUMPHOUSE

38" Control Zone Side Mount

PUMP

1500 GPM Waterous CSU

CROSSLAYS, 1.50"

1.50" Crosslays Not Required

CROSSLAYS, 2.50"

2.50" Deadlay 200' of 2.50"

SPEEDLAYS

(2) 1.50" Speedlays w/tray Std Cap.

GENERATOR

Generator Not Required

Foam System

Foam System Not Required

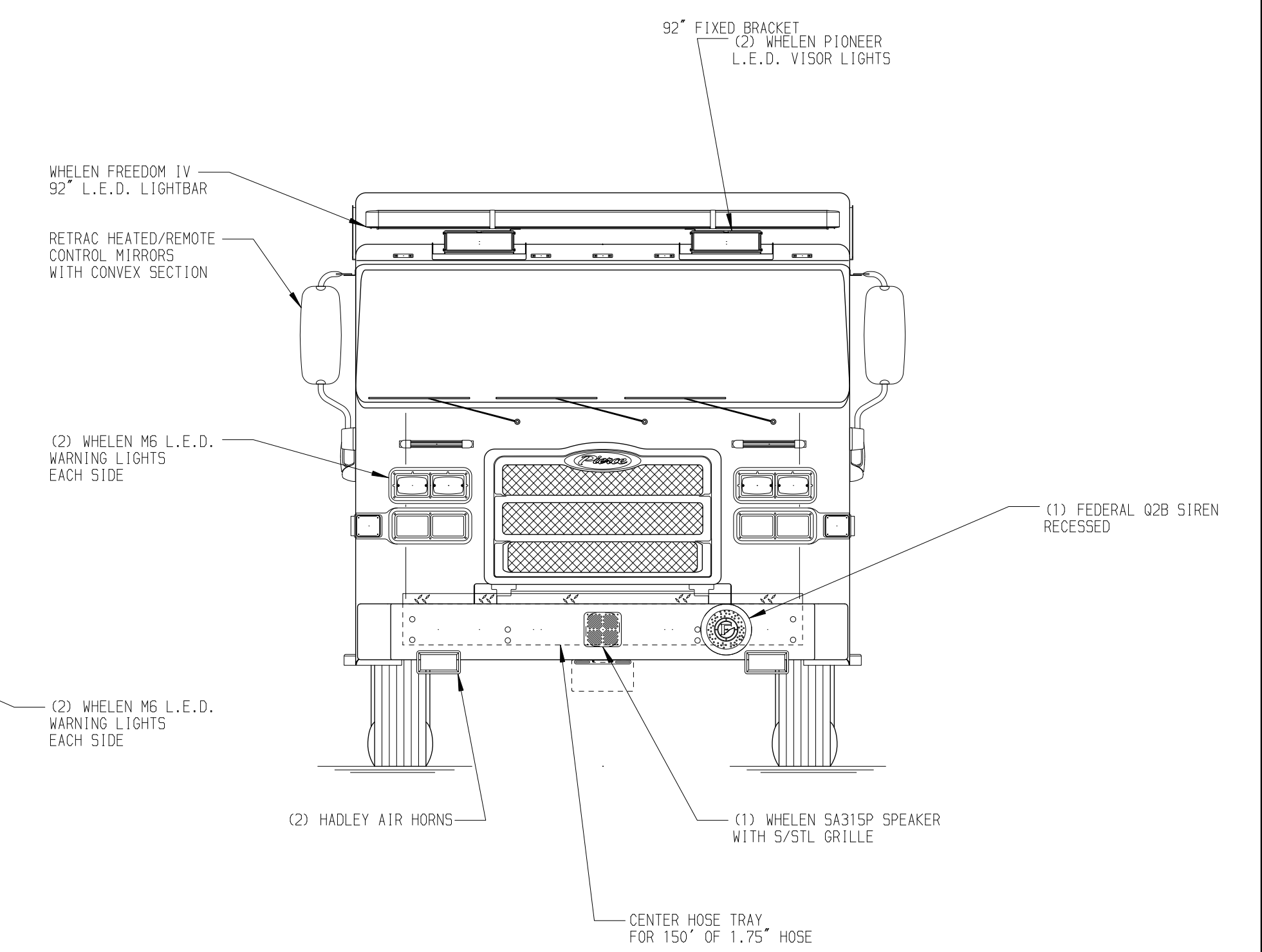
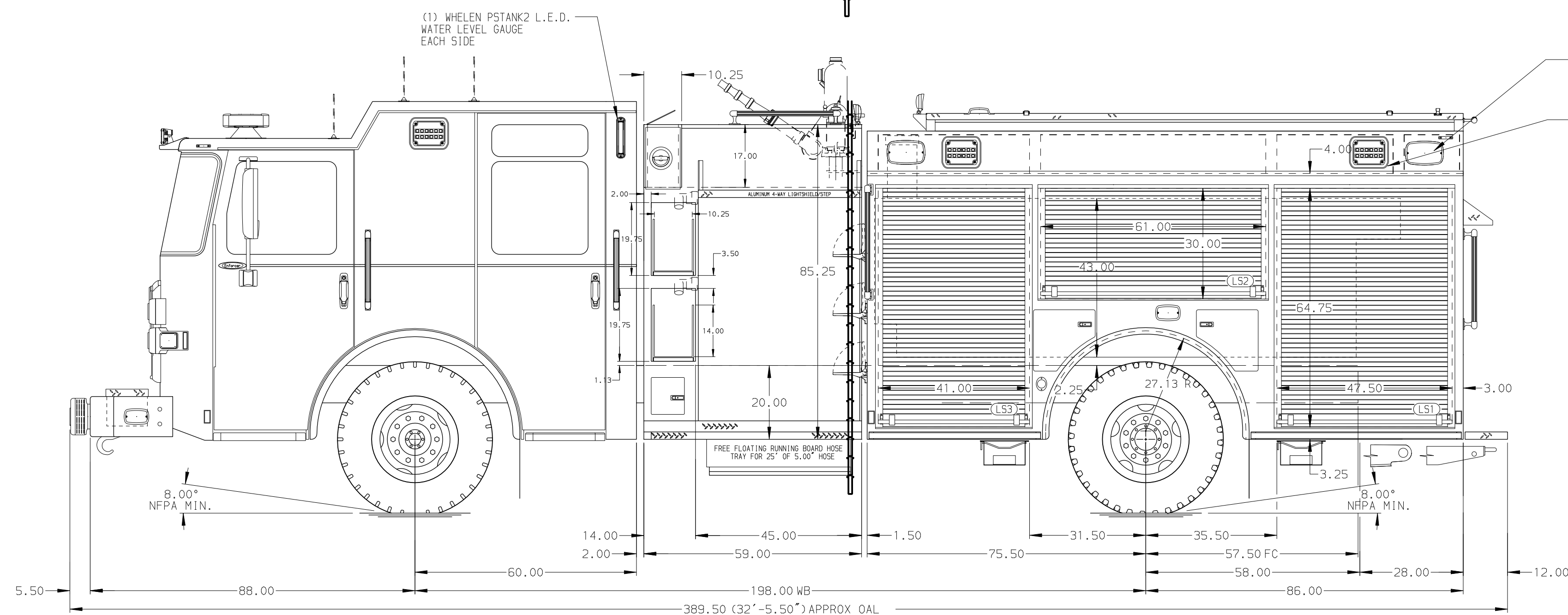
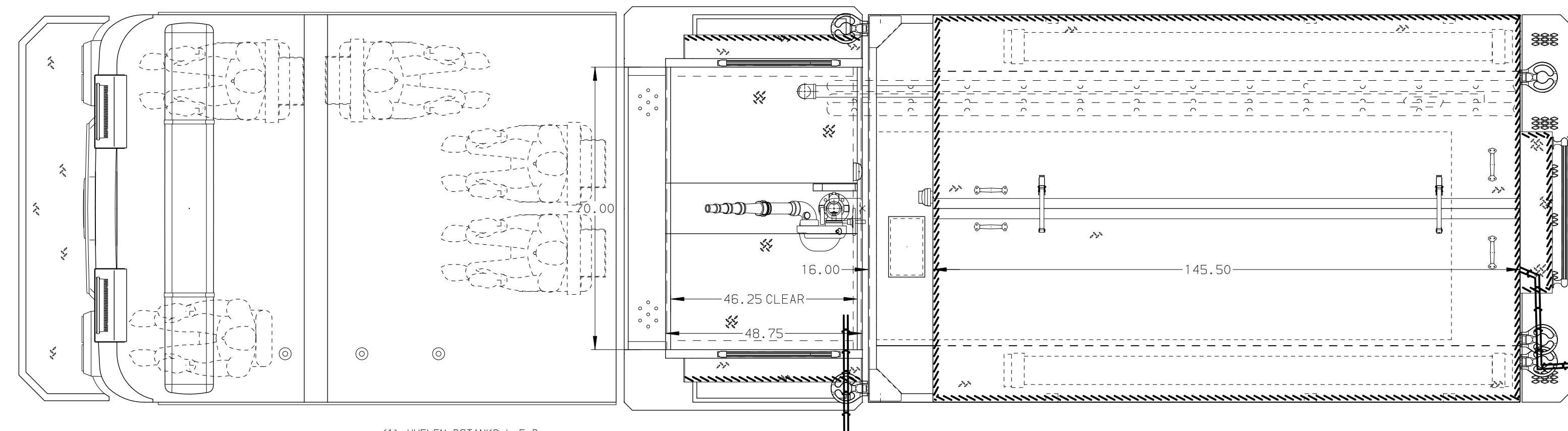
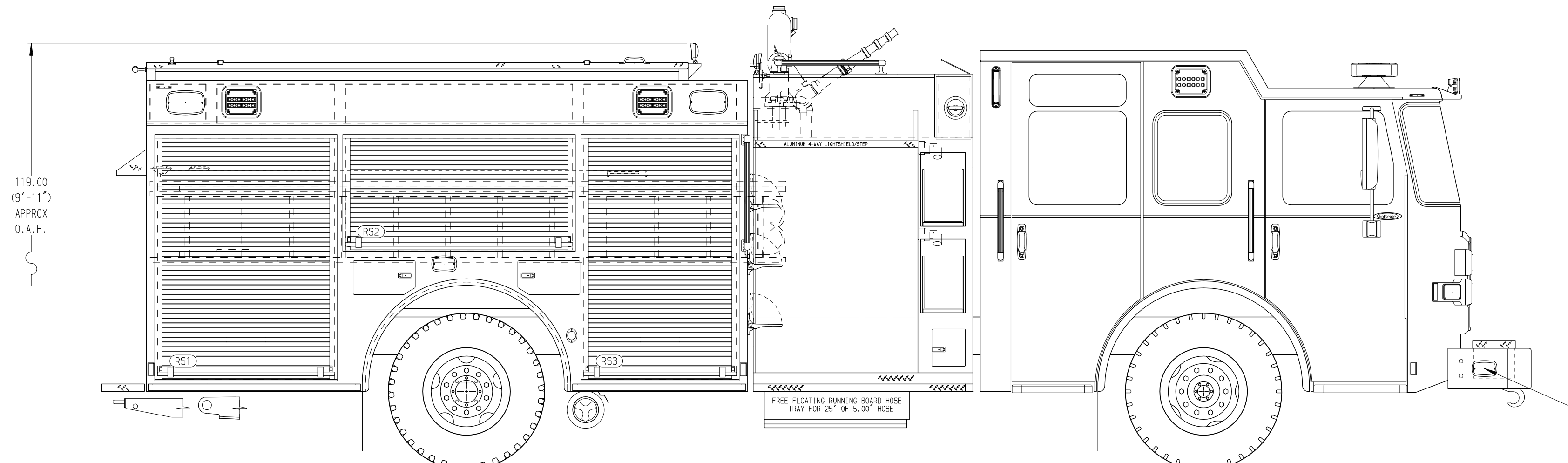
Foam Cell

Foam Cell Not Required

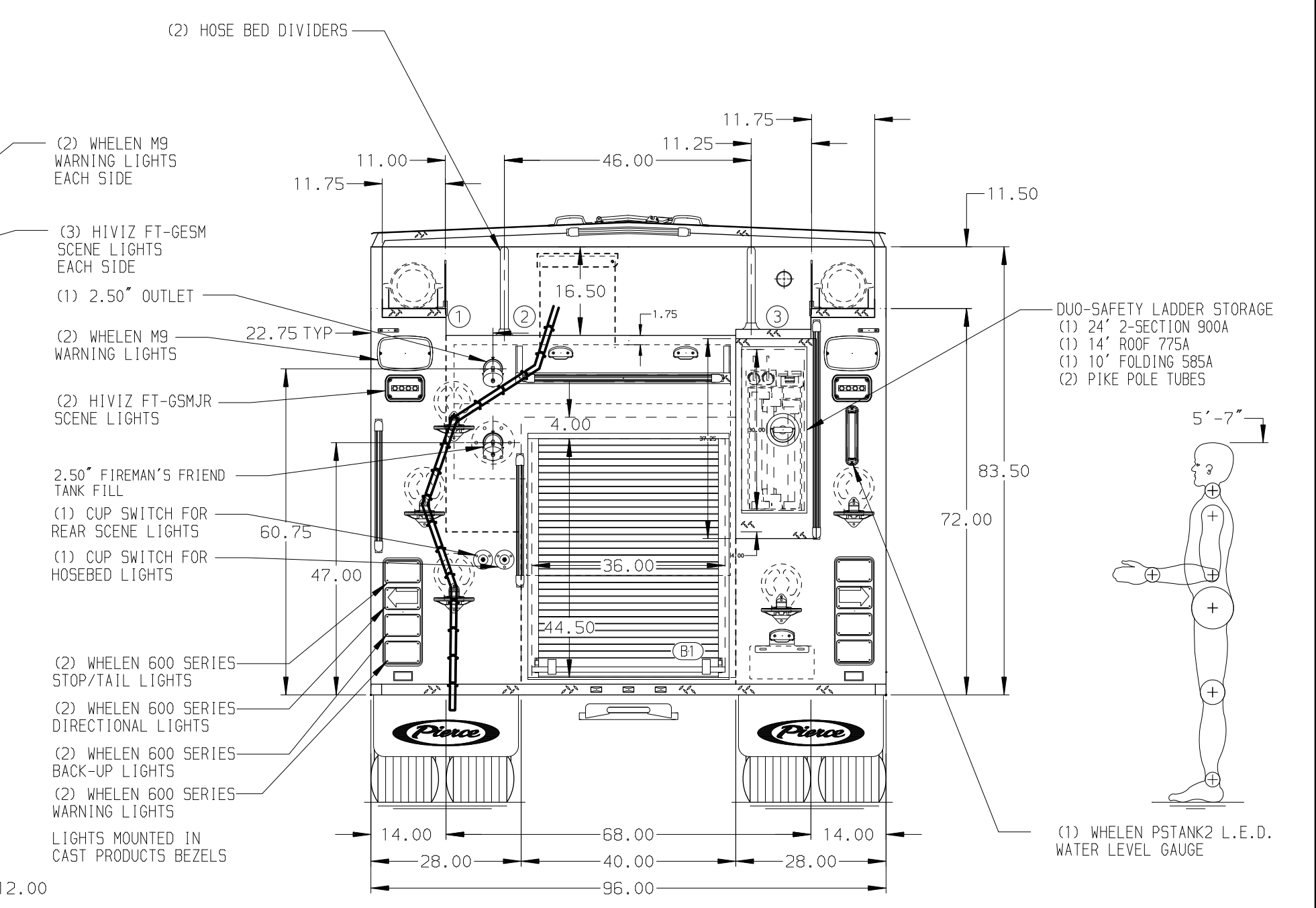
NOTE
DIMENSIONS SHOWN ARE APPROXIMATE AND ARE SUBJECT TO MINOR DEVIATIONS AS MAY OCCUR OR BE NECESSARY IN CONSTRUCTION. MINOR DETAILS NOT SHOWN.

- ONE 1.50" OUTLET WITH 2.00" PIPING AND SWIVEL LOCATED IN CENTER BUMPER TRAY
- SHORELINE STRAIGHT BLADE RECEPTACLE LOCATED ON DRIVER SIDE STEPWELL
- AIR INLET WITH DISCONNECT COUPLING IN THE DRIVER SIDE STEPWELL
- BATTERY CHARGER LOCATED PER ORDER
- BATTERY CHARGE INDICATOR LOCATED ON THE DRIVER SIDE SEAT RISER
- TWO ADJUSTABLE SHELVES LOCATED PER ORDER
- ONE FLOOR MOUNTED SLIDE-OUT TRAY LOCATED PER ORDER
- PEGBOARD ON BACK WALL LOCATED PER SHOP ORDER
- JUMPER STUDS AT DRIVER SIDE CAB STEP

MAXIMUM O.A.H. 119.00" MAXIMUM O.A.L. 384.00"



HOSEBED CAPACITY	
BED 1	250' OF 2.50" D.J. POLY HOSE
BED 2	1200' OF 4.00" D.J. POLY HOSE
BED 3	250' OF 2.50" D.J. POLY HOSE



Pierce MANUFACTURING INC.		JOB NO.	39369
		SCALE	DATE
		1:24	
Pierce Pumper Approval Drawing		DRAWN BY	06MAR24
-		MMF	
FOR Jaffrey Fire Department		CHECKED BY	06MAR24
-		AMI	
DWG NO. 39369AD		SHEET SIZE	SHEET NO.
		D	1 OF 1

REV	DATE	BY	CH	ENFORCER
24SEP24	MMF	JLL	MAKE	CHASSIS DATA
12SEP24	MMF	JLL	PIERCE	
20JUN24	MMF	JKR	MODEL	