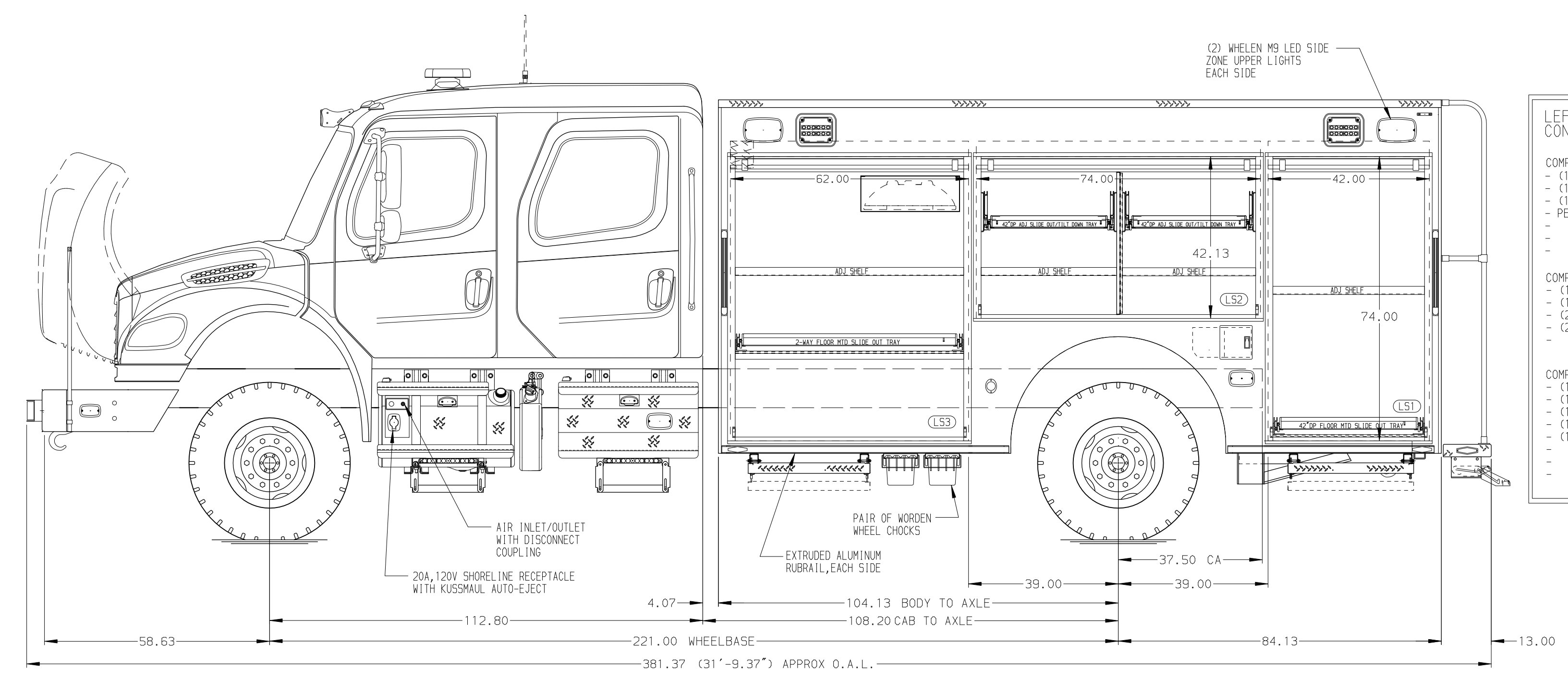
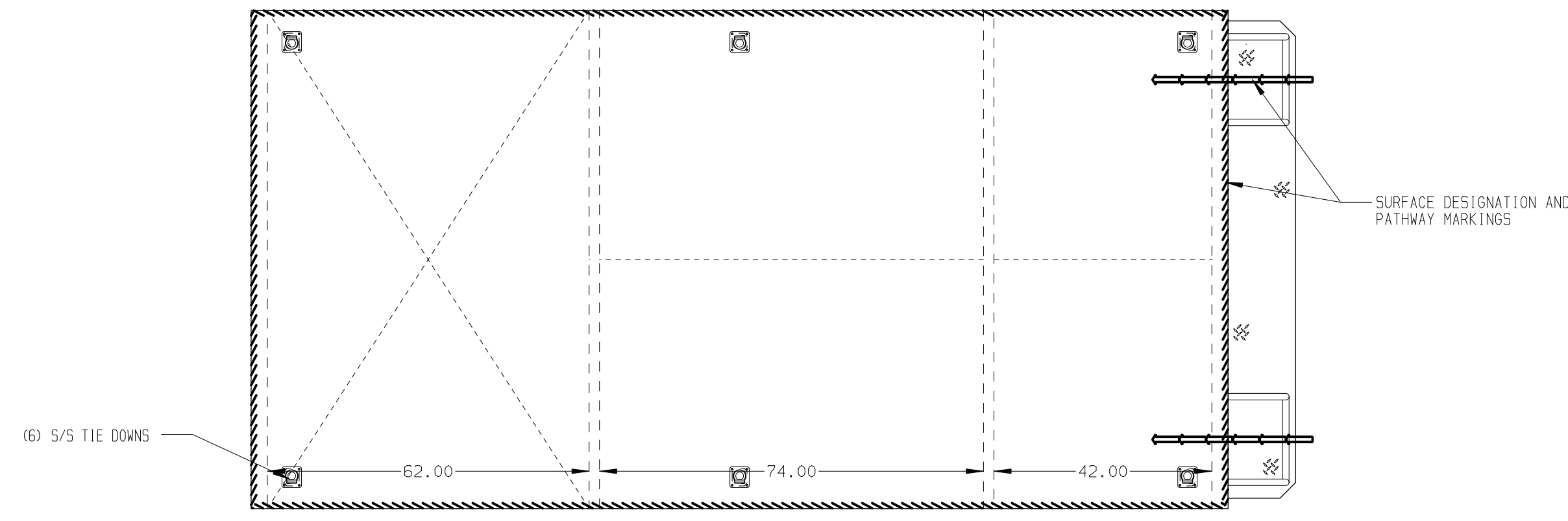
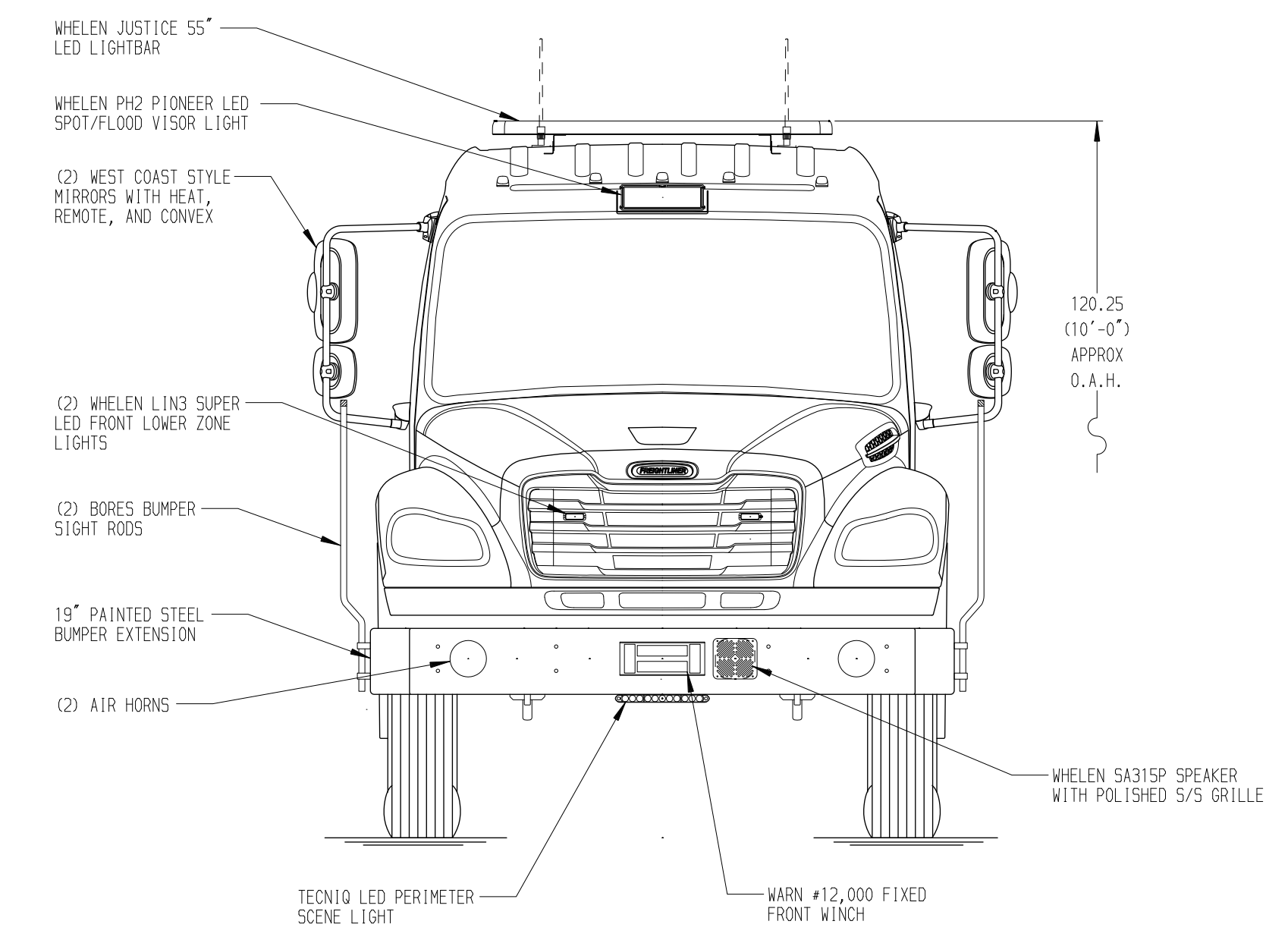
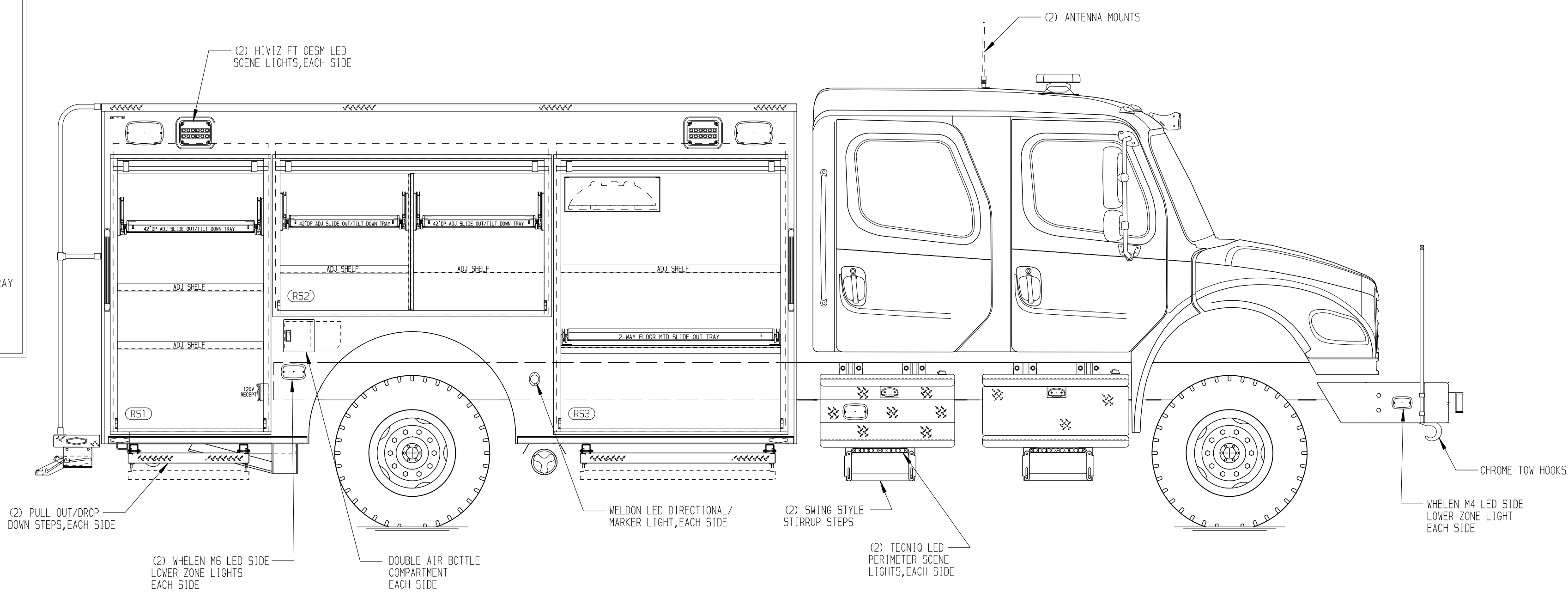
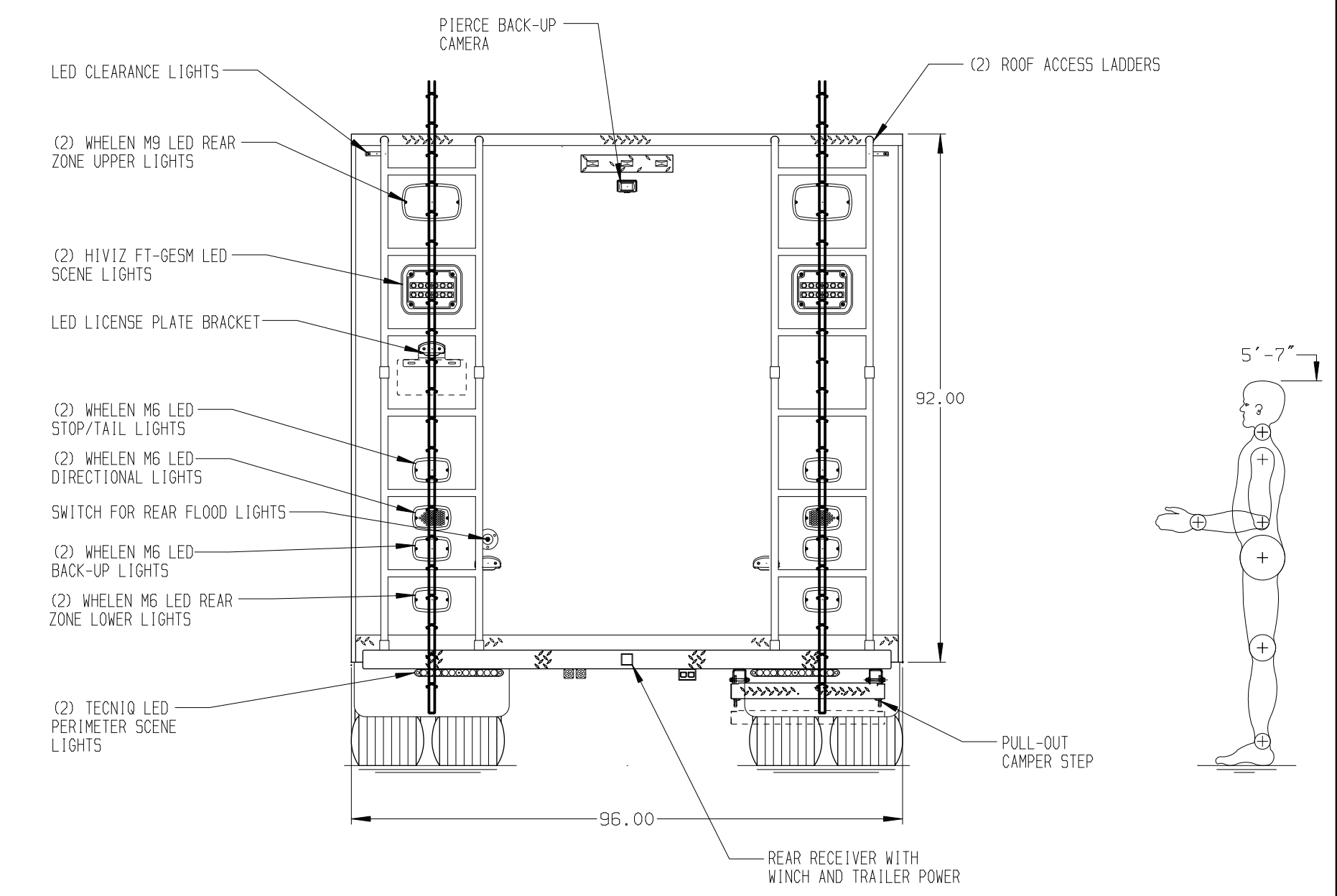


- RIGHT SIDE COMPARTMENTS CONTAIN THE FOLLOWING:**
- COMPARTMENT RS1 CONTAINS:
 - (2) 42" DP ADJ SHELVES
 - (1) 42" DP ADJ SLIDE OUT/TILT TRAY
 - (1) 15/20A, 120V DUPLEX RECEPTACLE
 - (1) VERTICAL REAR WALL DIVIDER
- COMPARTMENT RS2 CONTAINS:
 - (1) VERTICAL REAR WALL DIVIDER
 - (1) VERTICAL COMPARTMENT DIVIDER
 - (2) 42" DP ADJ SLIDE OUT/TILT TRAYS
 - (2) 42" DP ADJ SHELVES
- COMPARTMENT RS3 CONTAINS:
 - (1) HORIZONTAL FLOOR EXTENSION
 - (1) STOKES BASKET RACK
 - (1) 2-WAY ADJ SHELF
 - (1) 2-WAY FLOOR MOUNTED SLIDE OUT TRAY



- LEFT SIDE COMPARTMENTS CONTAIN THE FOLLOWING:**
- COMPARTMENT LS1 CONTAINS:
 - (1) 42" DP ADJ SHELF
 - (1) VERTICAL REAR WALL DIVIDER
 - (1) 42" DP FLOOR MOUNTED TRAY
 - PEGBOARD ON LEFT AND RIGHT SIDE WALLS
- COMPARTMENT LS2 CONTAINS:
 - (1) VERTICAL REAR WALL DIVIDER
 - (1) VERTICAL COMPARTMENT DIVIDER
 - (2) 42" DP ADJ SLIDE OUT/TILT TRAYS
 - (2) 42" DP ADJ SHELVES
- COMPARTMENT LS3 CONTAINS:
 - (1) KUSSMAUL 1200 CHARGER
 - (1) HORIZONTAL FLOOR EXTENSION
 - (1) STOKES BASKET RACK
 - (1) 2-WAY ADJ SHELF
 - (1) 2-WAY FLOOR MOUNTED SLIDE OUT TRAY



NOTE
 DIMENSIONS SHOWN ARE APPROXIMATE AND ARE SUBJECT TO MINOR DEVIATIONS AS MAY OCCUR OR BE NECESSARY IN CONSTRUCTION. MINOR DETAILS NOT SHOWN.

- NOTES:**
- PULL-STRAPS ON ALL BODY ROLL-UP DOORS
 - PIERCE LED LIGHTS IN ALL BODY AND HATCH COMPARTMENTS

CLEAR DOOR WIDTH KEY		CHASSIS DATA	
AMDR ROLL UP DOORS:	-2 1/4"	DATE	25JUL24
CURTAIN ROLL UP DOORS:	-2 1/2"	BY	DHE
PIERCE DOUBLE LAP DOORS:	-4 1/4"	DATE	04JUN24
PIERCE LIFT-UP LAP DOORS:	-1 1/2"	BY	DHE
(EX: 60" F-F - 2 1/4" = 57 3/4" CLEAR)		DATE	28MAR24
(F-F) = FRAME TO FRAME		BY	DHE
		CH	AZU
		MODEL	FREIGHTLINER
		MODEL	M2-106 4X4

Pierce MANUFACTURING INC.		JOB NO.	39335
		SCALE	1:24
		DATE	
TITLE	ENCORE RESCUE VEHICLE	DRAWN BY	DHE
FOR	ELIZABETH, CITY OF	CHECKED BY	AZU
	BID #958	CARIDD1, GREGG	29FEB24
DWG NO.	39335AD	SHEET SIZE	D
		SHEET NO.	1 OF 1