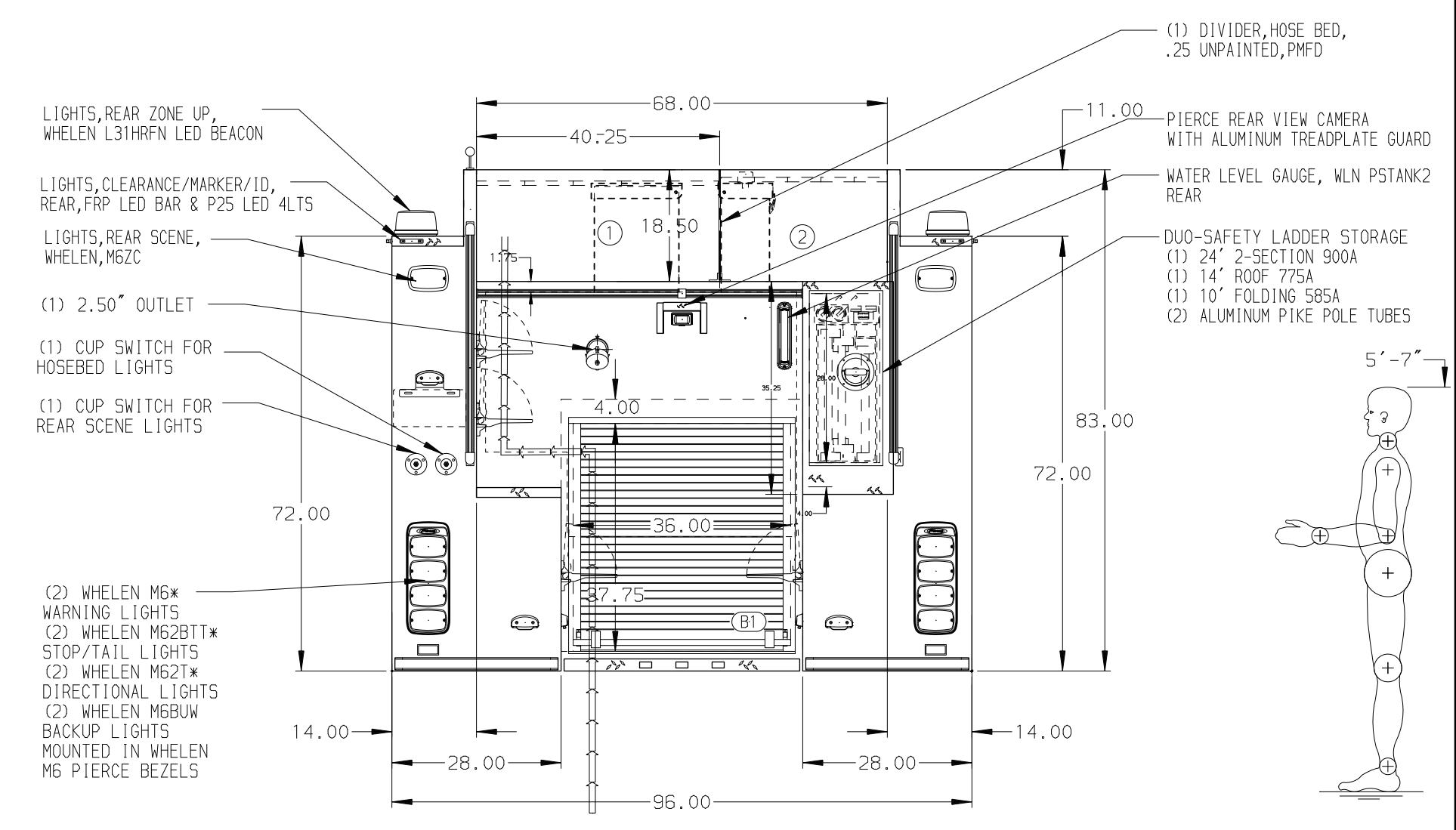
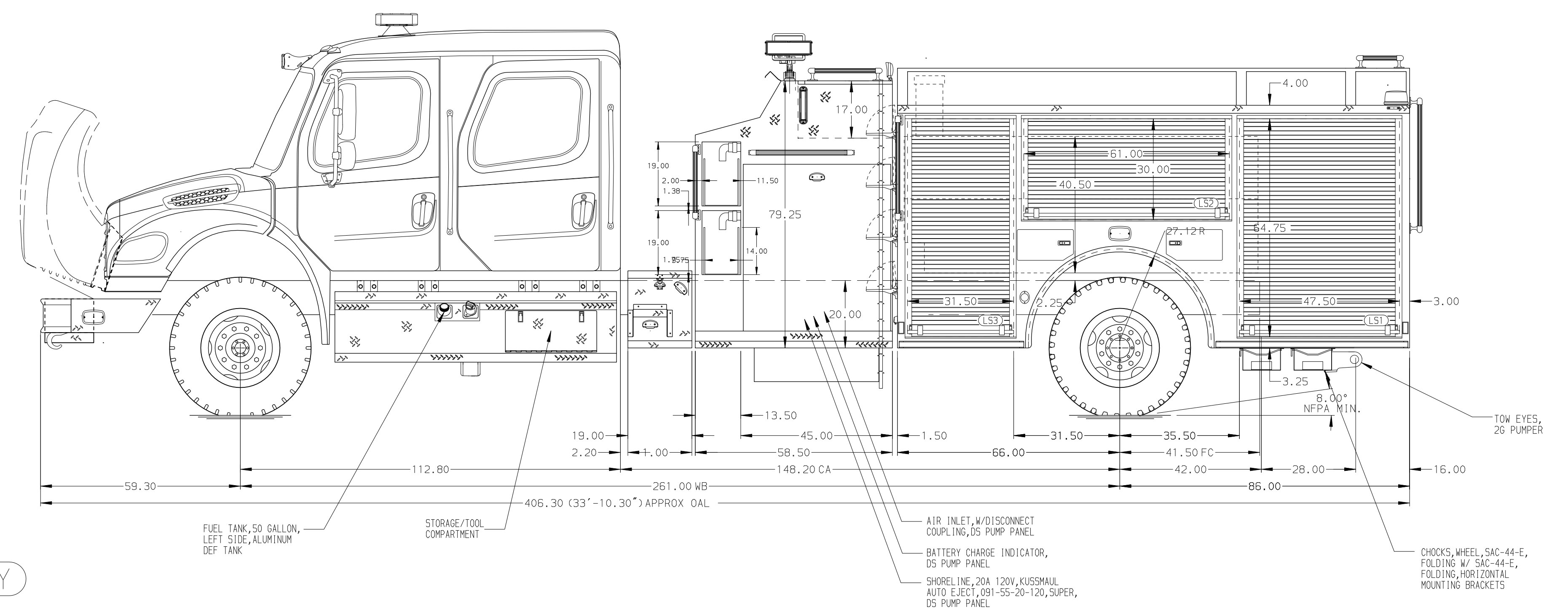


- HOSEBED CAPACITIES
- ① 1000' OF 5.00" D.J. POLY HOSE
 - ② 1000' OF 3.00" D.J. POLY HOSE



ALUMINUM BODY

NOTE
 DIMENSIONS SHOWN ARE APPROXIMATE AND ARE SUBJECT TO MINOR DEVIATIONS AS MAY OCCUR OR BE NECESSARY IN CONSTRUCTION. MINOR DETAILS NOT SHOWN.

REV	DATE	BY	CH	CHASSIS DATA	TITLE
19JUN24	WHO	CAG		MAKE	FOR
11MAR24	RWR	JAP		FL	
27NOV23	RWR	AJA		MODEL M2-106 PLUS	DWG NO.

		JOB NO.	39299
		SCALE	DATE
1500-D-730 POLY, 20 FOAM, 152", LS&RS FULL HGT FDLER 45" TOP CONTROL, (2) 1.5" SPEED W/POLY TRAY, 3" DELUGE		DRAWN BY	020CT23
RED CLIFF FIRE & AMBULANCE BAYFIELD, WISCONSIN		CHECKED BY	050CT23
DWG NO. 39299AD		SHEET SIZE	SHEET NO.
		D	1 OF 1