

RIGHT SIDE COMPARTMENTS CONTAIN THE FOLLOWING:

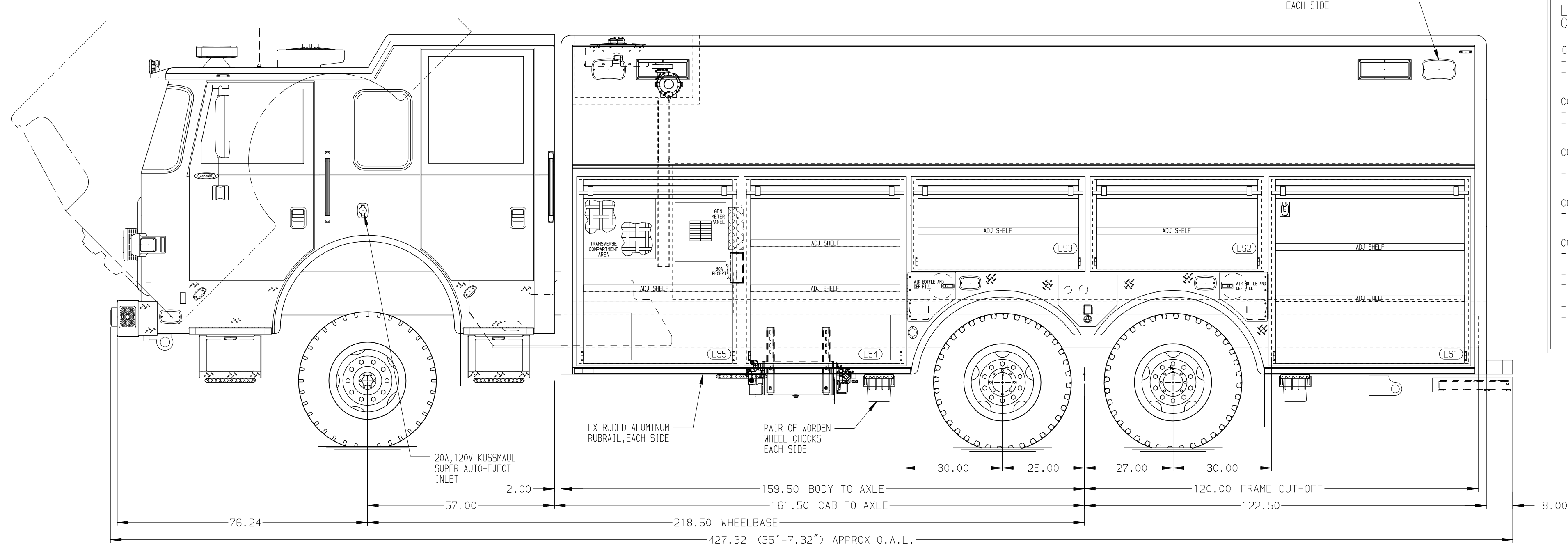
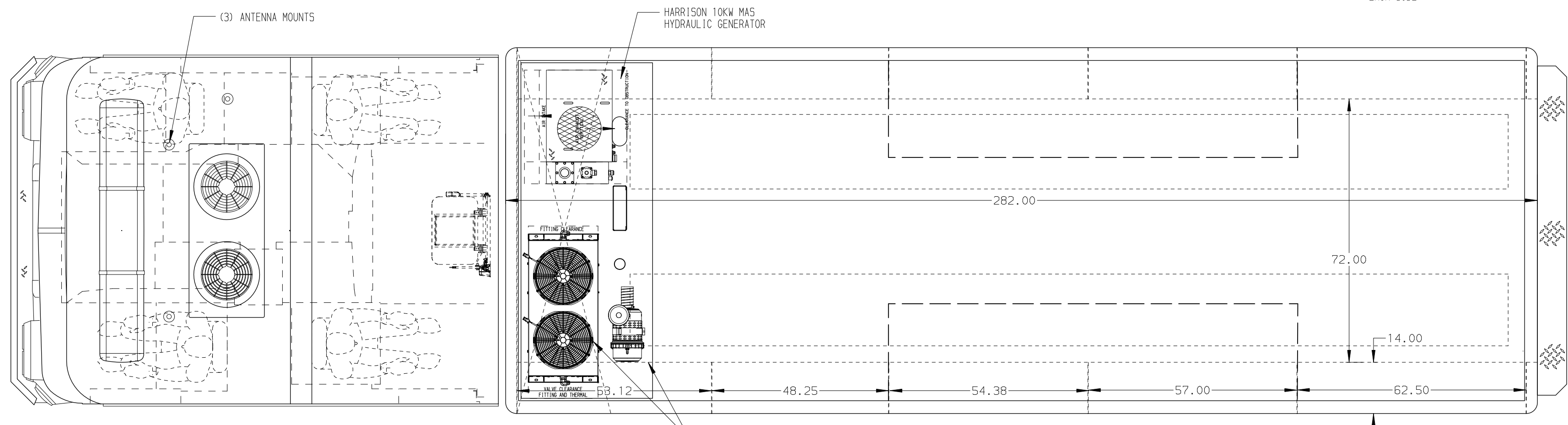
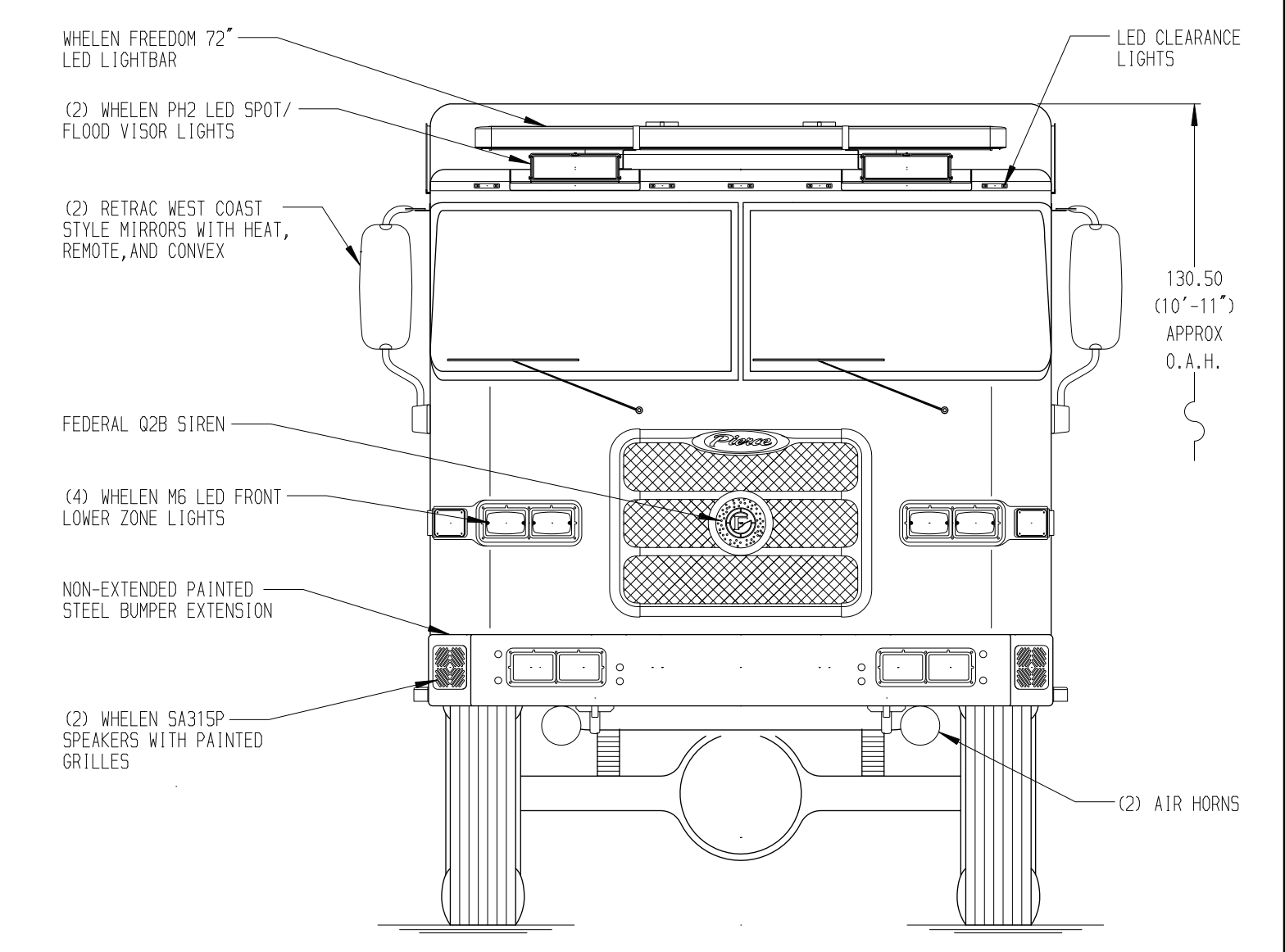
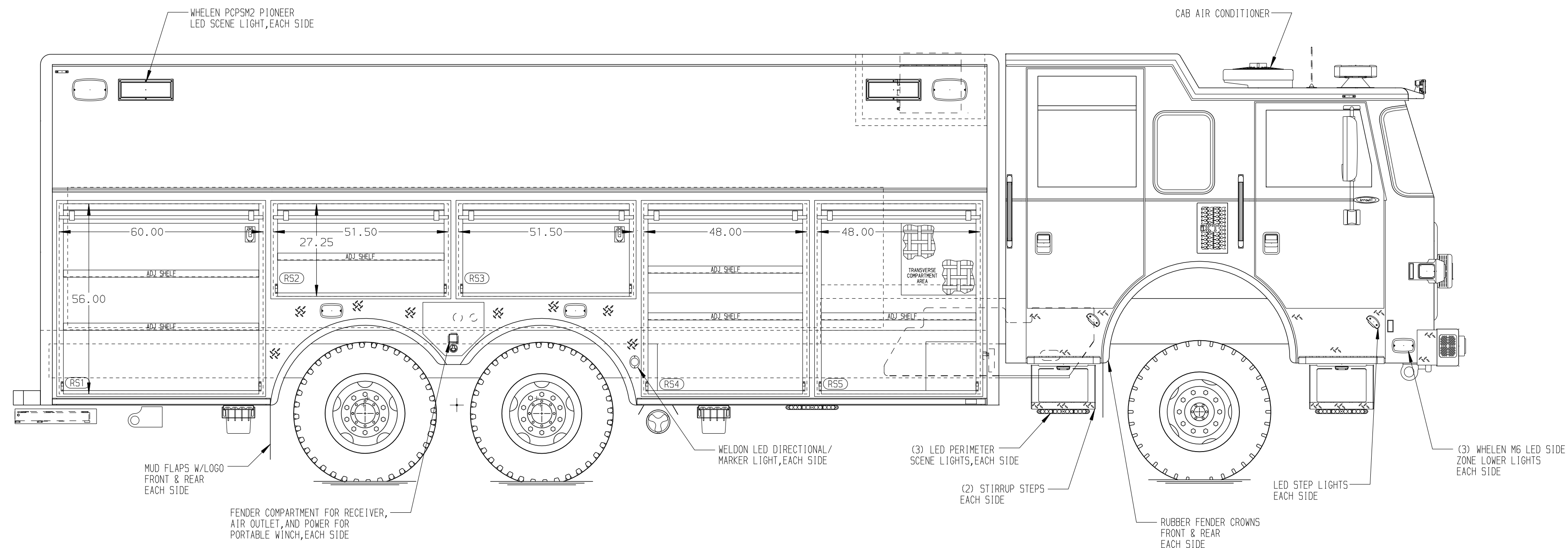
COMPARTMENT RS1 CONTAINS:
 - (2) SPECIAL DEPTH ADJ SHELVES
 - (1) 15/20A, 120V DUPLEX RECEPTACLE

COMPARTMENT RS2 CONTAINS:
 - (1) SPECIAL DEPTH ADJ SHELF
 - ALUMINUM TREADPLATE ON COMPARTMENT FLOOR

COMPARTMENT RS3 CONTAINS:
 - ALUMINUM TREADPLATE ON COMPARTMENT FLOOR
 - (1) 15/20A, 120V DUPLEX RECEPTACLE

COMPARTMENT RS4 CONTAINS:
 - (2) SPECIAL DEPTH ADJ SHELVES

COMPARTMENT RS5 CONTAINS:
 - (1) CAB LIFT CONTROLLER
 - (1) SPECIAL DEPTH ADJ SHELF
 - (1) TOOL AIR OUTLET
 - CARGO RETENTION NETTING



LEFT SIDE COMPARTMENTS CONTAIN THE FOLLOWING:

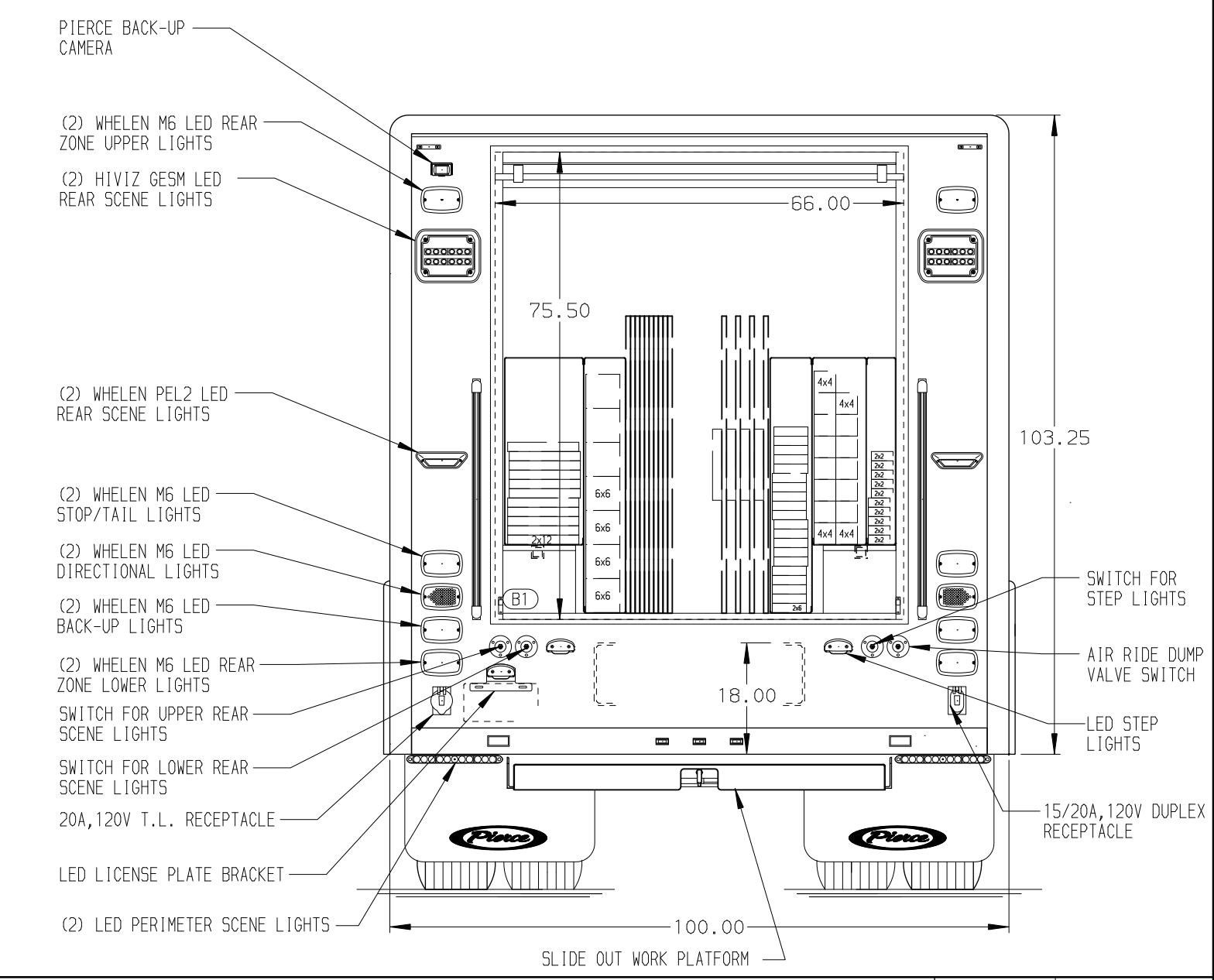
COMPARTMENT LS1 CONTAINS:
 - (2) SPECIAL DEPTH ADJ SHELVES
 - (1) 15/20A, 120V DUPLEX RECEPTACLE

COMPARTMENT LS2 CONTAINS:
 - (1) SPECIAL DEPTH ADJ SHELF
 - ALUMINUM TREADPLATE ON COMPARTMENT FLOOR

COMPARTMENT LS3 CONTAINS:
 - (1) SPECIAL DEPTH ADJ SHELF
 - ALUMINUM TREADPLATE ON COMPARTMENT FLOOR

COMPARTMENT LS4 CONTAINS:
 - (2) SPECIAL DEPTH ADJ SHELVES

COMPARTMENT LS5 CONTAINS:
 - (1) SPECIAL DEPTH ADJ SHELF
 - (1) CIRCUIT BREAKER PANEL
 - (1) GENERATOR METER PANEL
 - (1) 30A, 120V T.L. RECEPTACLE
 - (1) VANAIR SYSTEM CONTROL PANEL
 - (1) TOOL AIR OUTLET
 - CARGO RETENTION NETTING



NOTE
 DIMENSIONS SHOWN ARE APPROXIMATE AND ARE SUBJECT TO MINOR DEVIATIONS AS MAY OCCUR OR BE NECESSARY IN CONSTRUCTION. MINOR DETAILS NOT SHOWN.

- NOTES:**
- AIR INLET/OUTLET WITH DISCONNECT FITTING LOCATED ON DRIVER'S SEAT RISER
 - ALUMINUM TREADPLATE ON REAR OF ENGINE TUNNEL
 - ALUMINUM TREADPLATE ON FLOOR OF CAB
 - KUSSMAUL BATTERY CHARGER LOCATED BEHIND THE DRIVER'S SEAT
 - BATTERY CHARGE INDICATOR LOCATED ON DRIVER'S SEAT WITH BRACKET
 - S/S GUARDS ON ALL BODY ROLL-UP DOORS
 - PIERCE LED LIGHTS IN ALL BODY COMPARTMENTS
 - PULL STRAPS ON ALL BODY ROLL-UP DOORS
 - ALUMINUM TREADPLATE COVERS ON REAR FENDER PANELS
 - TURTLE TILE MATTING ON ALL BODY SHELVES
 - TURTLE TILE MATTING ON FLOORS IN COMPARTMENTS LS1, LS4, LS5, RS1, RS4 and RS5

MAXIMUM O.A.H. : 10'-11"

MAXIMUM O.A.L. : 35'-8"

CLEAR DOOR WIDTH KEY		CHASSIS DATA	
AMOR ROLL UP DOORS:	-2 1/4"	08AUG24	DHE AZU
CURTLE ROLL UP DOORS:	-2 1/2"	07JUN24	AZU CDK
PIERCE DOUBLE LAP DOORS:	-4 1/4"	08APR24	DHE AZU
PIERCE LIFT-UP LAP DOORS:	-1 1/2"	REV	DATE BY CH
(EX: 60" F-F - 2 1/4" = 57 3/4" CLEAR) (F-F) = FRAME TO FRAME		MAKE	PIERCE
		MODEL	AX5710

		JOB NO.	39264
		SCALE	DATE
TITLE	HEAVY DUTY RESCUE WALKIN	DRAWN BY	DHE 18MAR24
FOR	ELIZABETH, CITY OF BID #952	CHECKED BY	AZU 22MAR24
DWG NO.	39264AD-SH1	SHEET SIZE	SHEET NO.
			D 1 OF 1