

PUMPER BODY

Medium Aluminum 2nd Gen Pumper

CHASSIS

Enforcer Chassis

CHASSIS AXLE, FRONT, CUSTOM

19,500 Lb TAK-4 Axle

AXLE, REAR

27,000 Lb Dana Axle

ENGINE

450 HP Cummins L9 Engine

TRANSMISSION

Allison 6th Gen, 3000 EVS P

BUMPER

19" Extended Stainless Steel

CAB

7000 Enforcer Cab

BODY

TOTAL TANK CAPACITY

750 Gallon New York Style Poly Tank

WATER CAPACITY

750 Gallons of Water

FOAM CELL

Foam Cell Not Required

COMPT, PUMPER, REAR

30.75" FF Lap Rear Compt

COMPT, PUMPER, LEFT SIDE

152" Lap Full Height Front & Rear FDLER

COMPT, PUMPER, RIGHT SIDE

152" Lap Full Height Front & Rear FDLER

FIRE SUPPRESSION PUMPHOUSE

45" Control Zone Side Mount

PUMP

2000 GPM Waterous CSU

CROSSLAYS, 1.50"

(2) 1.50" Standard Capacity

CROSSLAYS, 2.50"

2.50" Crosslay Not Required

SPEEDLAYS

SpeedLays Not Required

GENERATOR

Generator Not Required

FOAM SYSTEM

Foam System Not Required

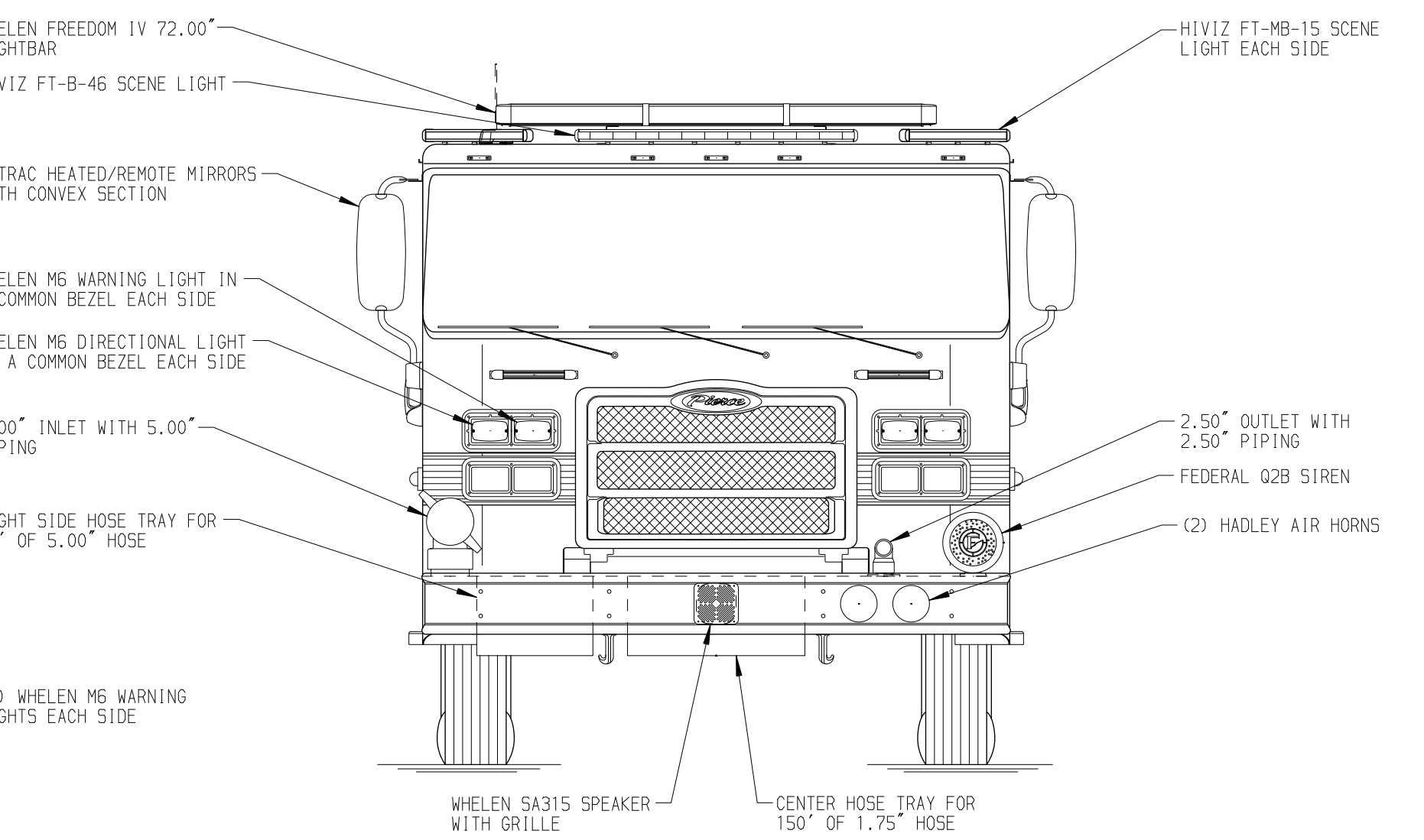
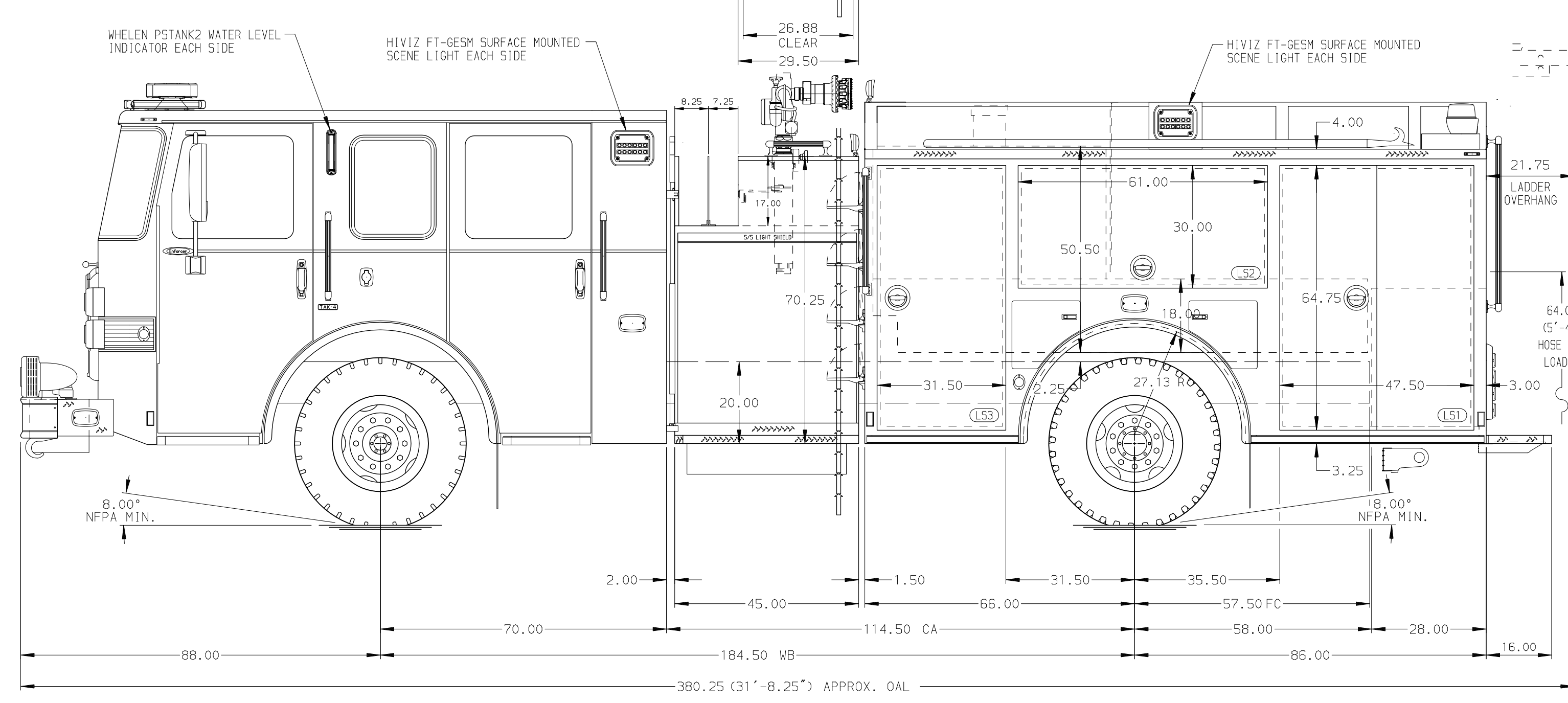
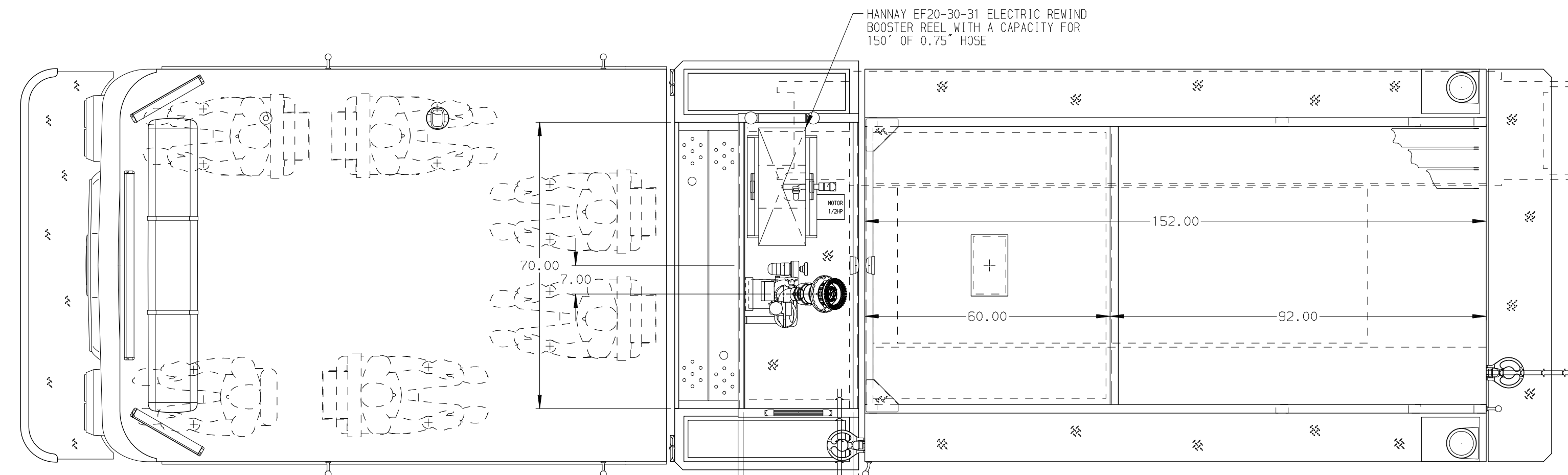
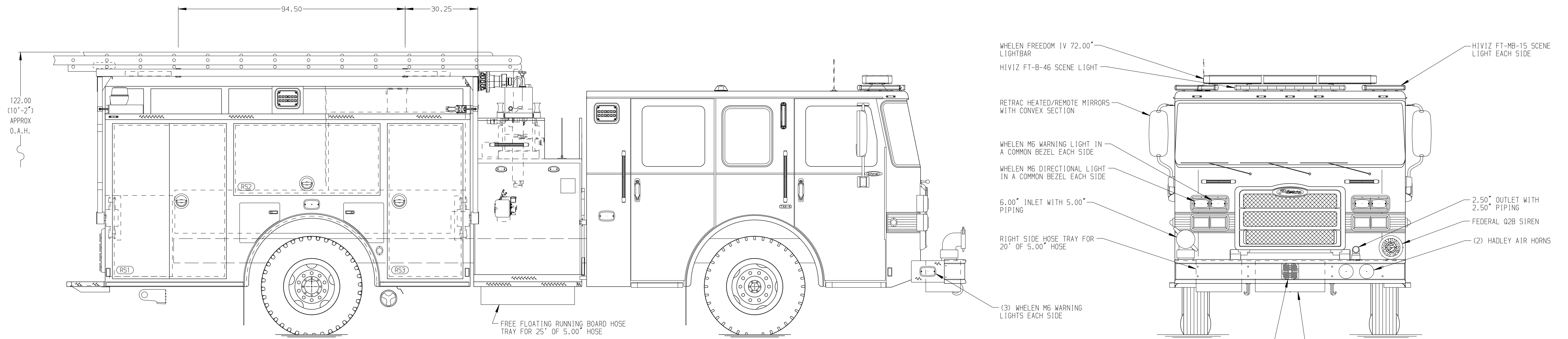
SAFETY

Side Roll and Frontal Impact Protection

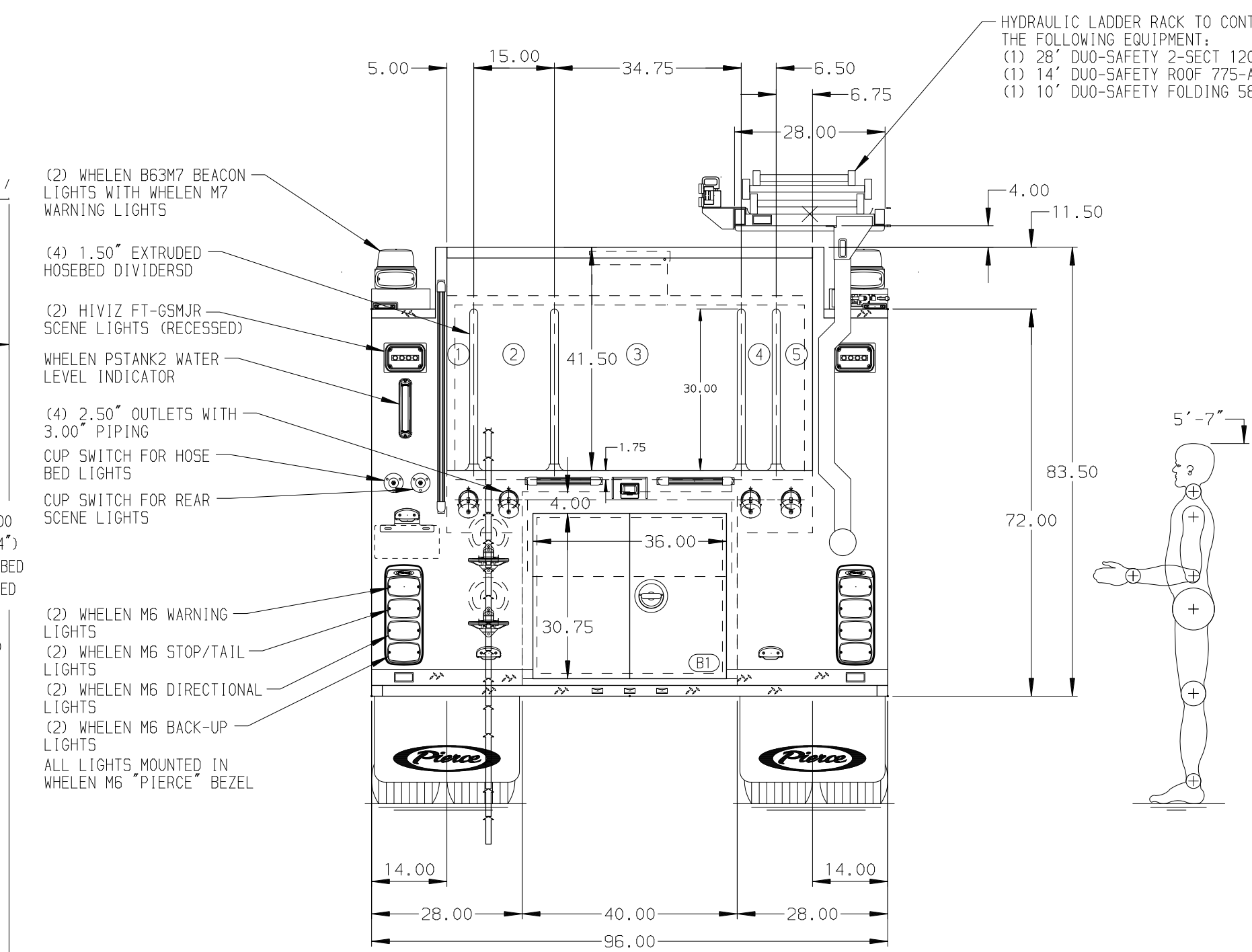
NOTE

DIMENSIONS SHOWN ARE APPROXIMATE AND ARE SUBJECT TO MINOR DEVIATIONS AS MAY OCCUR OR BE NECESSARY IN CONSTRUCTION. MINOR DETAILS NOT SHOWN.

- AIR INLET/OUTLET WITH DISCONNECT FITTING LOCATED AT LEFT SIDE PUMP PANEL
- BATTERY CHARGER LOCATED BEHIND DRIVER SEAT
- BATTERY CHARGER INDICATOR LOCATED ON DRIVER SIDE SEAT RISER
- SEVEN FULL WIDTH/DEPTH ADJUSTABLE SHELF WITH SIDES LOCATED PER ORDER
- ONE FLOOR MOUNTED SLIDE-OUT TRAY WITH SIDES LOCATED PER ORDER
- TWO MOUNTING PLATES LOCATED PER ORDER
- ONE HANGER/POST FOR HOSE/ROPE/CHAIN LOCATED PER SHOP ORDER
- 120V KUSSMAUL SHORELINE RECEPTACLE WITH SUPER AUTO EJECT LOCATED ON LEFT SIDE OF CAB



HOSEBED CAPACITY	
BED 1	300' OF 1.75" D.J. POLY HOSE
BED 2	500' OF 2.50" D.J. POLY HOSE
BED 3	1000' OF 5.00" D.J. POLY HOSE
BED 4	200' OF 2.50" D.J. POLY HOSE
BED 5	200' OF 3.00" D.J. POLY HOSE



- (2) WHELEN B63M7 BEACON LIGHTS WITH WHELEN M7 WARNING LIGHTS
- (4) 1.50" EXTRUDED HOSEBED DIVIDERS
- (2) HIZV FT-GSMJR SCENE LIGHTS (RECESSED)
- WHELEN PSTANK2 WATER LEVEL INDICATOR
- (4) 2.50" OUTLETS WITH 3.00" PIPING
- CUP SWITCH FOR HOSE BED LIGHTS
- CUP SWITCH FOR REAR SCENE LIGHTS
- (2) WHELEN M6 WARNING LIGHTS
- (2) WHELEN M6 STOP/TAILO LIGHTS
- (2) WHELEN M6 DIRECTIONAL LIGHTS
- (2) WHELEN M6 BACK-UP LIGHTS
- ALL LIGHTS MOUNTED IN WHELEN M6 PIERCE BEZEL

	JOB NO.	39262
	SCALE	DATE
TITLE	Pierce Pumper Approval Drawing	DRAWN BY
FOR	Town of Kure Beach	CHECKED BY
DWG NO.	39262AD	SHEET NO.
		1 OF 1

REV	DATE	BY	CH	ENFORCER
17MAY24	AMI	JGO		