

**RIGHT SIDE COMPARTMENTS CONTAIN THE FOLLOWING:**

COMPARTMENT RS1 CONTAINS:  
 - (1) STD DEPTH FLOOR MOUNTED TRAY  
 - (1) STD DEPTH ADJ SLIDE OUT/TILT TRAY  
 - (2) STD DEPTH ADJ SHELVES

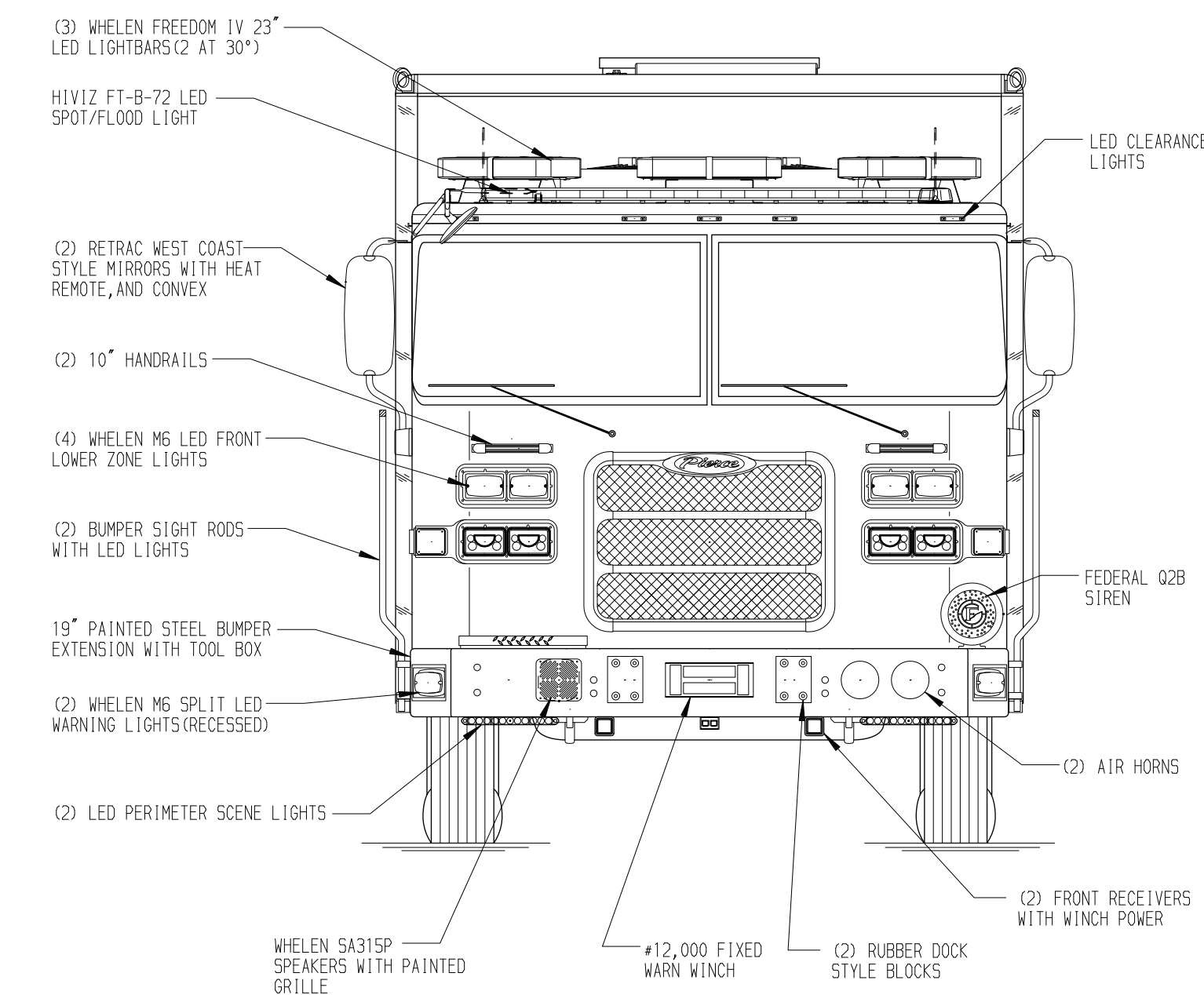
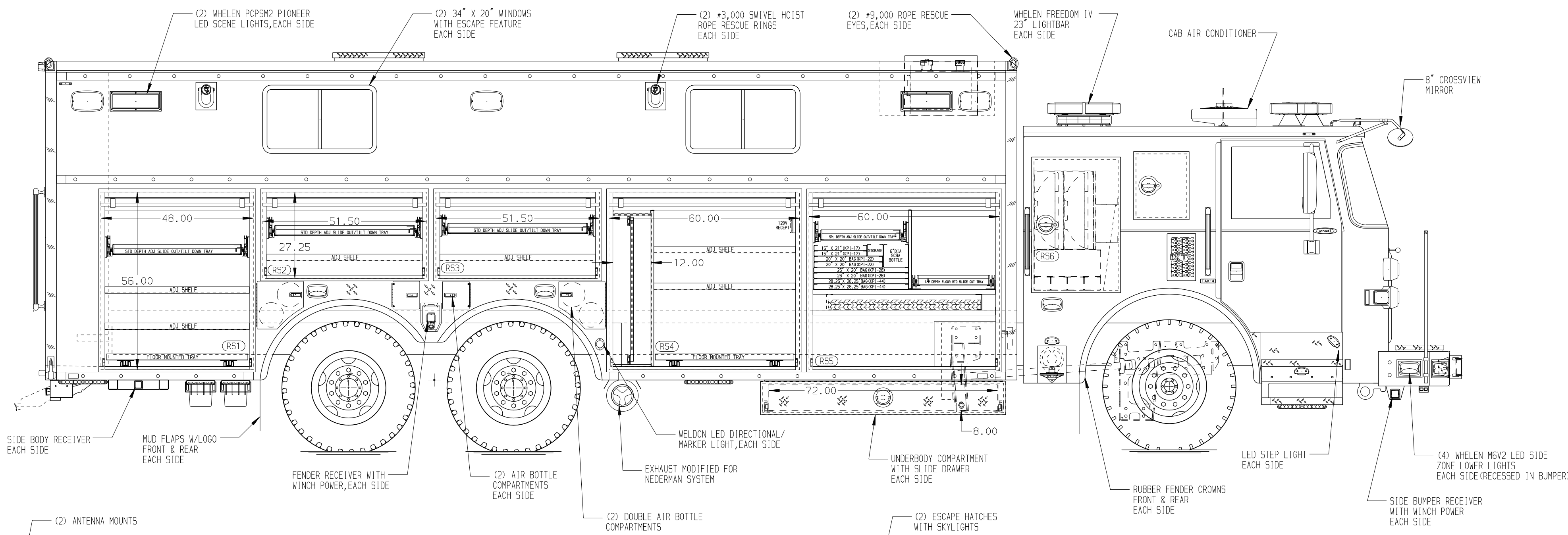
COMPARTMENT RS2 CONTAINS:  
 - (1) STD DEPTH ADJ SHELF  
 - (1) STD DEPTH ADJ SLIDE OUT/TILT TRAY

COMPARTMENT RS3 CONTAINS:  
 - (1) STD DEPTH ADJ SLIDE OUT/TILT TRAY  
 - (1) STD DEPTH ADJ SHELF

COMPARTMENT RS4 CONTAINS:  
 - (1) VERTICAL COMPARTMENT DIVIDER  
 - (1) STD DEPTH FLOOR MOUNTED TRAY  
 - (1) 15/20A, 120V DUPLEX RECEPTACLE  
 - (1) STD DEPTH ADJ SLIDE OUT TOOLBOARD WITH DUAL SLIDES  
 - (2) STD DEPTH ADJ SHELVES

COMPARTMENT RS5 CONTAINS:  
 - (1) CAB LIFT CONTROLLER  
 - (1) VERTICAL COMPARTMENT DIVIDER  
 - (1) HORIZONTAL FLOOR EXTENSION  
 - (1) RACK FOR 4 SHEETS OF PLYWOOD  
 - (1) RACK FOR 10 AIR BAGS  
 - (1) SPECIAL DEPTH ADJ SLIDE OUT/TILT TRAY  
 - (1) REINFORCED HORIZONTAL FALSE FLOOR  
 - (1) 1/2 DEPTH FLOOR MOUNTED SLIDE OUT TRAY

COMPARTMENT RS6 CONTAINS:  
 - (2) 2-WAY ADJ SHELVES WITHOUT FRONT LIP  
 - (1) 7 TROUGH STORAGE RACK



**REAR COMPARTMENT CONTAINS THE FOLLOWING:**

COMPARTMENT B1 CONTAINS:  
 - SCUFFPLATES ON DOOR FRAME AND DOORS

COMPARTMENT B2 CONTAINS:  
 - SCUFFPLATES ON DOOR FRAME AND DOORS  
 - (1) ELECTRIC CORD REEL WITH 200' OF 10/3 YELLOW CORD  
 - (1) FOLD-OUT ROLLER GUIDE

**LEFT SIDE COMPARTMENTS CONTAIN THE FOLLOWING:**

COMPARTMENT LS1 CONTAINS:  
 - (1) STD DEPTH ADJ SLIDE OUT/TILT TRAY  
 - (2) FLOOR MOUNTED TRAYS WITH TOOLBOARDS  
 - (1) 30A, 240V T.L. RECEPTACLE

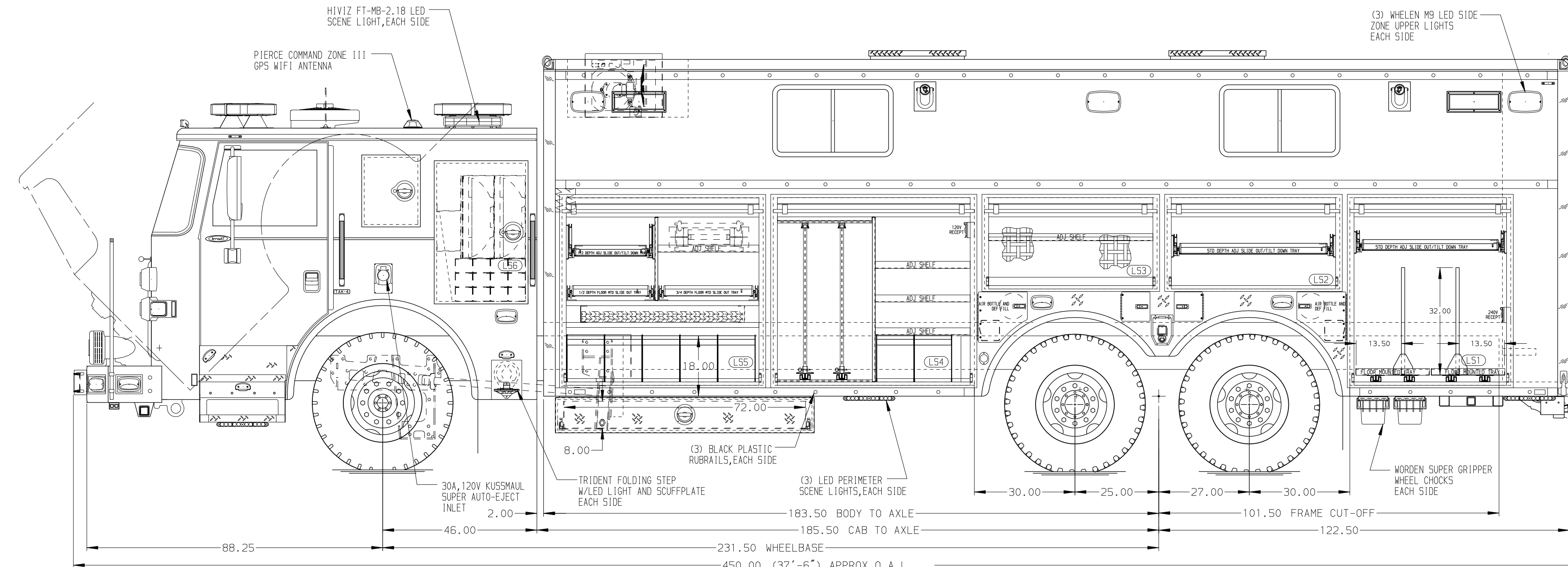
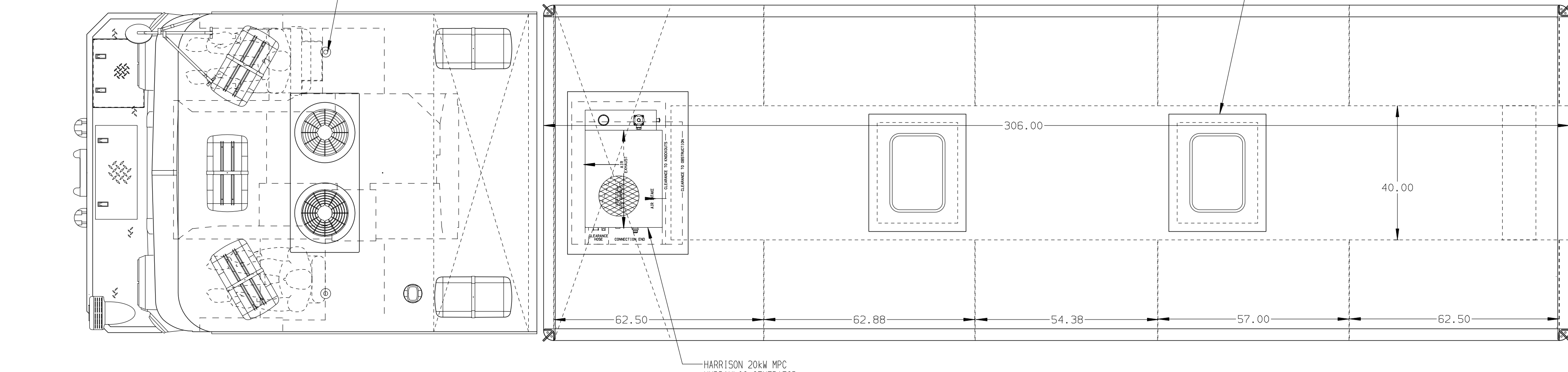
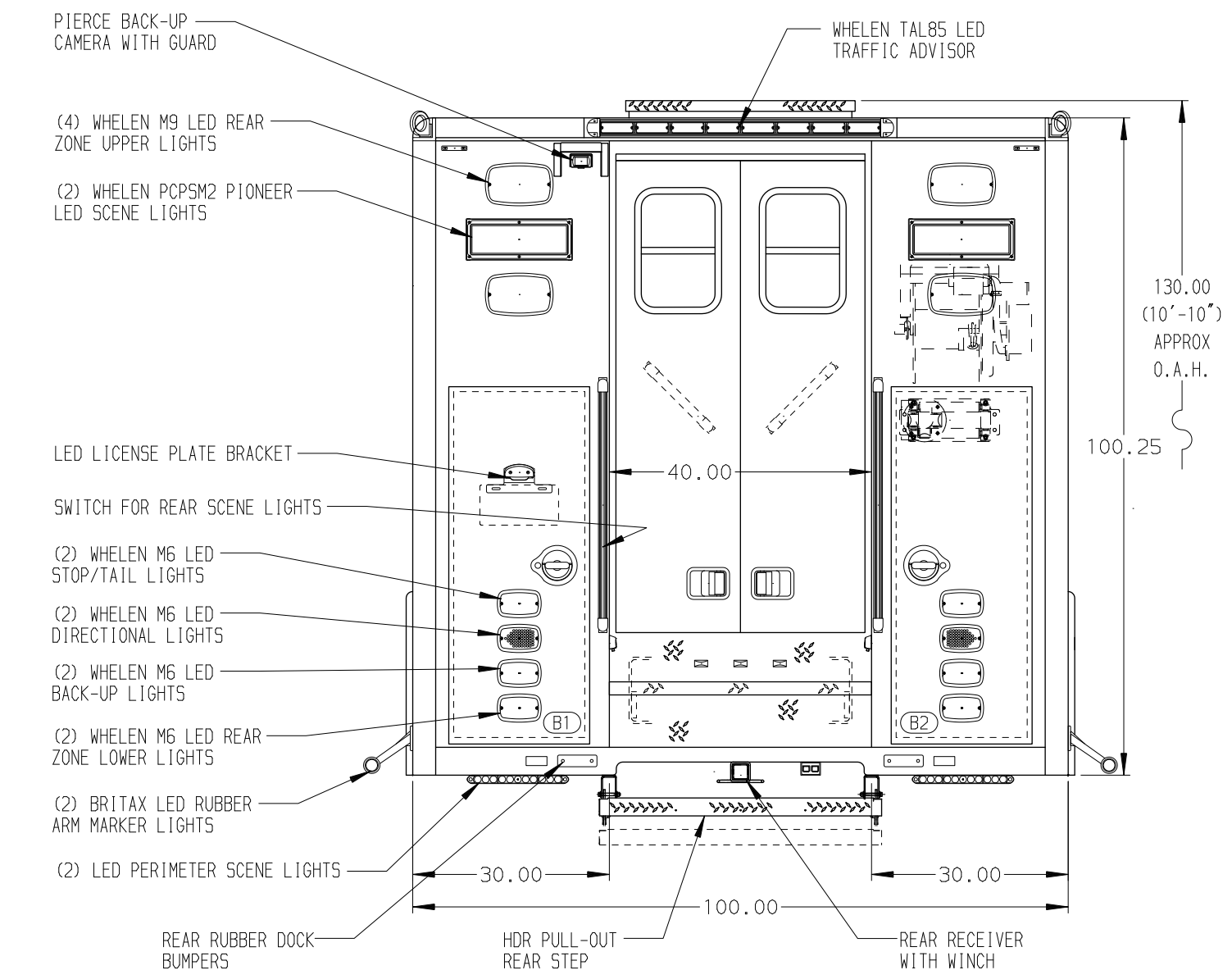
COMPARTMENT LS2 CONTAINS:  
 - (1) STD DEPTH ADJ SLIDE OUT/TILT TRAY

COMPARTMENT LS3 CONTAINS:  
 - CARGO RETENTION NETTING  
 - (1) STD DEPTH ADJ SHELF W/1" FRONT LIP  
 - 5" PITCHED FLOOR

COMPARTMENT LS4 CONTAINS:  
 - (2) ALUMINUM TOOL BOXES  
 - (1) VERTICAL COMPARTMENT DIVIDER  
 - (3) STD DEPTH ADJ SHELVES  
 - (2) STD DEPTH ADJ SLIDE OUT TOOLBOARDS  
 - (1) 15/20A, 120V DUPLEX RECEPTACLE

COMPARTMENT LS5 CONTAINS:  
 - (1) VERTICAL COMPARTMENT DIVIDER  
 - (1) HORIZONTAL FLOOR EXTENSION  
 - (1) RACK FOR 4 SHEETS OF PLYWOOD  
 - (1) LITTLE GIANT LADDER (LOOSE)  
 - (1) 60" DP ADJ SHELF  
 - (1) 1/2 DEPTH FLOOR MTD SLIDE OUT TRAY  
 - (1) 1/2 DEPTH ADJ SLIDE OUT/TILT TRAY  
 - (1) REINFORCED HORIZONTAL FALSE FLOOR  
 - (1) 3/4 DEPTH FLOOR MTD SLIDE OUT TRAY  
 - (1) KUSSMAUL CHIEF BATTERY CHARGER  
 - (1) XANTREX FREEDOM X INVERTER  
 - (5) ALUMINUM TOOL BOXES

COMPARTMENT LS6 CONTAINS:  
 - (2) 2-WAY ADJ SHELVES WITHOUT FRONT LIP  
 - (1) 14 TROUGH STORAGE RACK



**NOTE:**  
 DIMENSIONS SHOWN ARE APPROXIMATE AND ARE SUBJECT TO MINOR DEVIATIONS AS MAY OCCUR OR BE NECESSARY IN CONSTRUCTION.  
 MINOR DETAILS NOT SHOWN.

- NOTES:**
- AIR INLET/OUTLET WITH DISCONNECT FITTING LOCATED ON DRIVER'S SEAT RISER
  - POLISHED 5/8 SCUFFPLATE ON CAB DOOR JAMBS
  - BRUSHED 5/8 SCUFFPLATE ON DRIVER'S AND OFFICER'S SIDE OF ENGINE TUNNEL
  - ALUMINUM TREADPLATE ON FLOOR OF CAB
  - WARN #9,000 PORTABLE RECEIVER STYLE WINCH
  - BATTERY CHARGE INDICATOR LOCATED ON DRIVER'S SEAT WITH BRACKET
  - BRUSHED 5/8 ON FRONT AND REAR BODY CORNERS
  - #9,000 RECEIVER STYLE ROPE ANCHORS
  - 5/8 GUARDS ON ALL BODY ROLL-UP DOORS
  - PULL STRAPS ON ALL BODY ROLL-UP DOORS
  - PIERCE LED LIGHTS IN ALL BODY COMPARTMENTS
  - ALUMINUM TREADPLATE ON BODY FENDER PANELS
  - TURTLE TILE MATTING ON ALL SHELVES AND TRAYS EXCEPT FLOOR TRAYS IN LS1 AND SHELF IN LS3

MAXIMUM O.A.L. 37'-6"

ALL BODY EXTERIOR COMPARTMENTS ARE FINISHED SPATTER GREY

ALL BODY EXTERIOR SHELVES AND TRAYS ARE DA FINISH

**CLEAR DOOR WIDTH KEY**

AMOR ROLL UP DOORS:	-2 1/4"
CURTAIN ROLL UP DOORS:	-2 1/2"
PIERCE DOUBLE LIP DOORS:	-4 1/4"
PIERCE LIFT-UP LAP DOORS:	-1 1/2"

(EX: 60" F-F - 2 1/4" = 57 3/4" CLEAR)  
 (F-F) = FRAME TO FRAME

REV	DATE	BY	CH	MAKE	MODEL
09JUL24	DHE	CDK		PIERCE	AX4600
01MAY24	DHE	AZU			
31JAN24	DHE	AZU			

**MANUFACTURING INC.**

JOB NO.	39259
SCALE	1:24
DATE	05JAN24
DRAWN BY	DHE
CHECKED BY	CDK
SHEET SIZE	SHEET NO.
DWG NO.	1 OF 1

**HEAVY DUTY RESCUE WALKIN**

**CITY OF ELIZABETH BID #856**

GREGG CARIDDI

**39259AD-SH1**