

RIGHT SIDE COMPARTMENTS CONTAIN THE FOLLOWING:

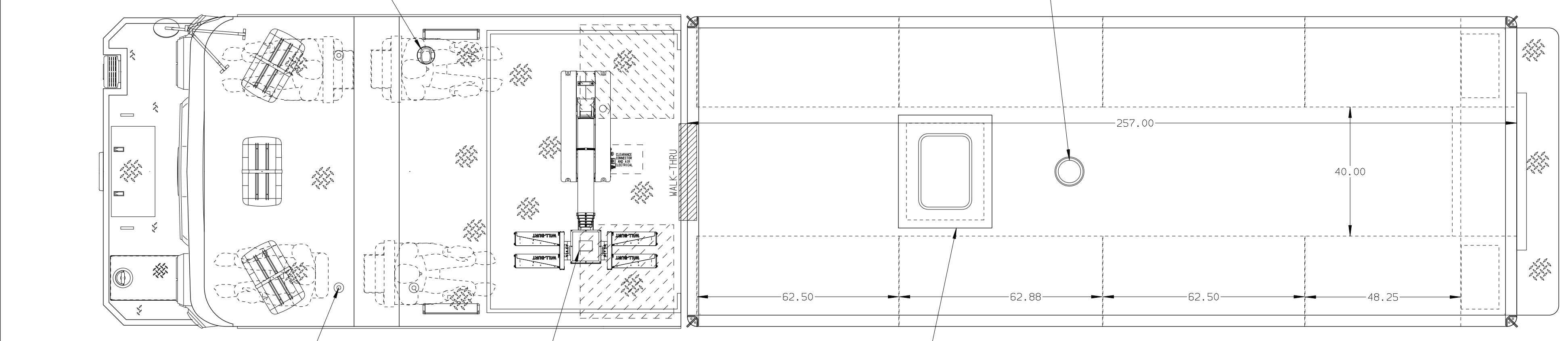
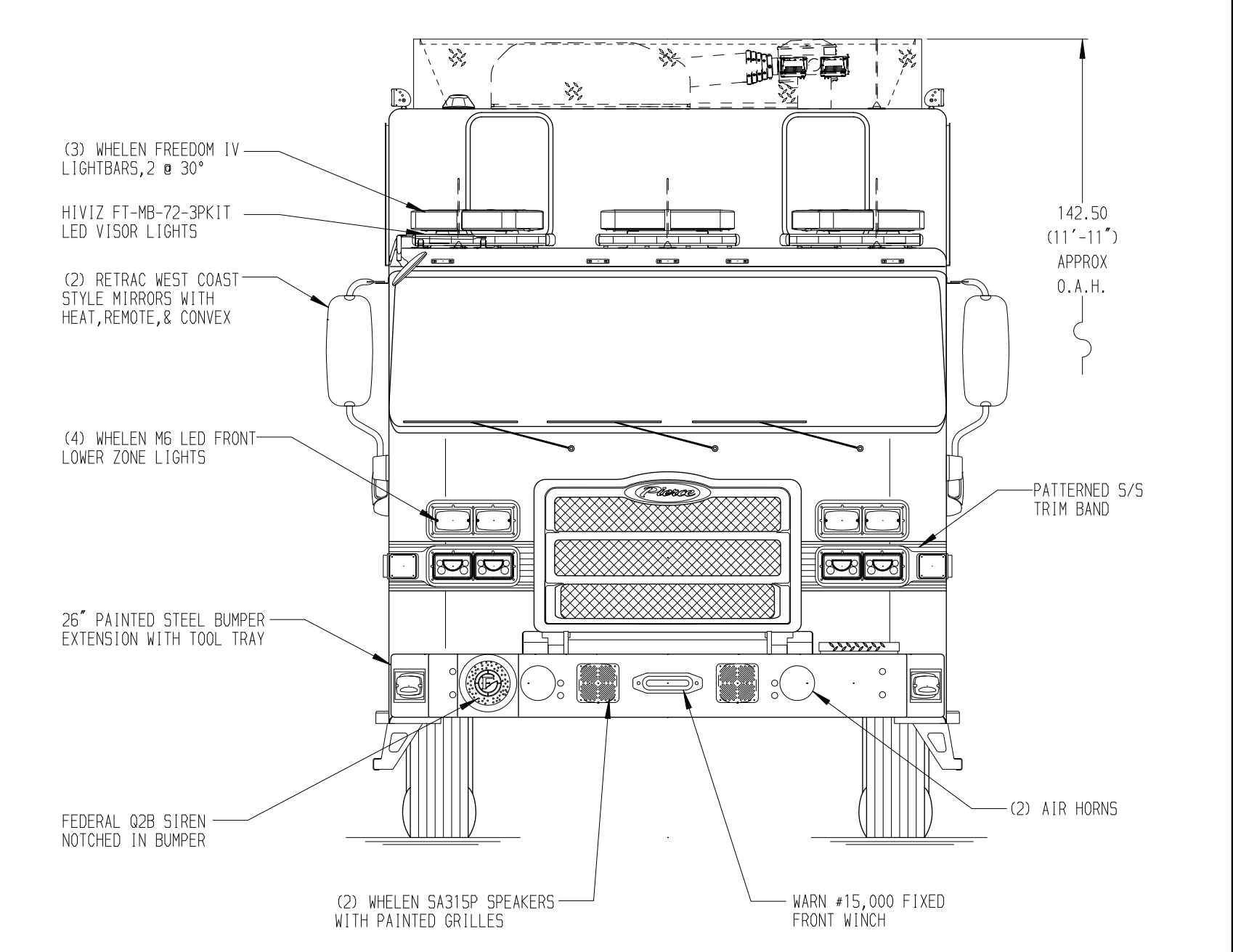
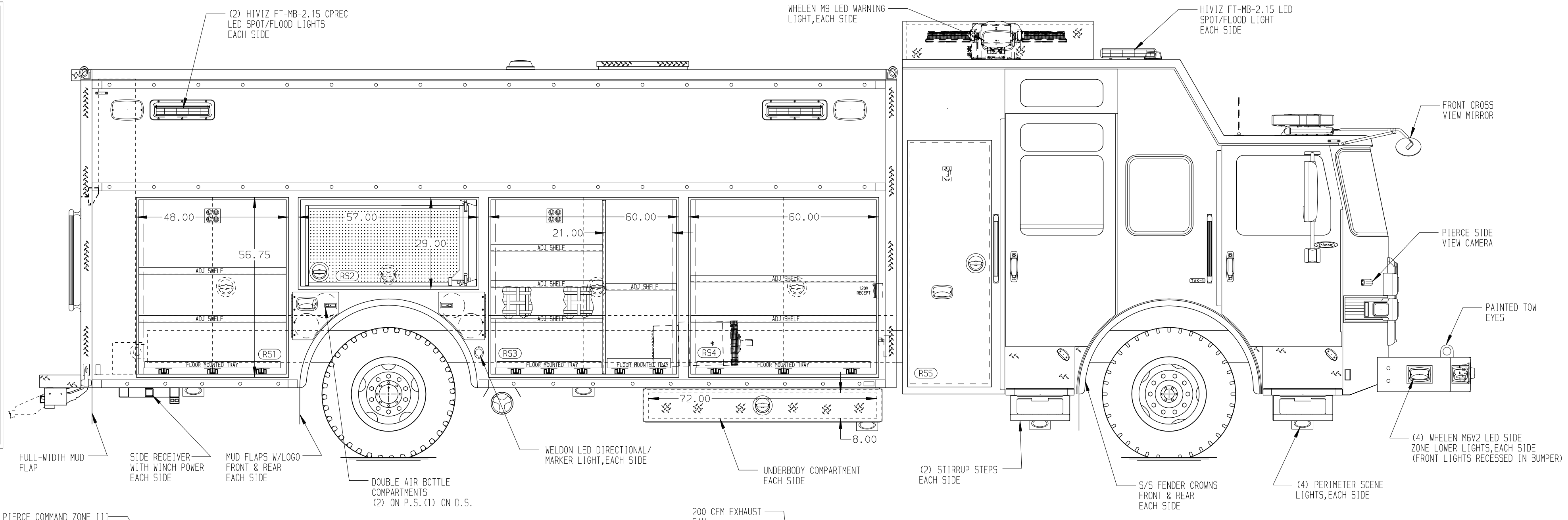
COMPARTMENT R51 CONTAINS:
 - (2) STD DEPTH ADJ SHELVES
 - (1) #750 FLOOR MOUNTED TRAY
 - (1) 15/20A, 120V 4-PLACE RECEPTACLE

COMPARTMENT R52 CONTAINS:
 - (2) SWING OUT TOOLBOARDS

COMPARTMENT R53 CONTAINS:
 - (1) VERTICAL COMPARTMENT DIVIDER
 - (3) STD DEPTH ADJ SHELVES W/ANGLED FLOOR
 - (1) STD DEPTH ADJ SHELF W/1" FRONT LIP
 - (1) FLOOR MOUNTED TRAY (3" SIDES)
 - (1) #750 FLOOR MOUNTED TRAY
 - (1) 15/20A, 120V 4-PLACE RECEPTACLE

COMPARTMENT R54 CONTAINS:
 - (1) CAB LIFT CONTROLLER
 - (2) STD DEPTH ADJ SHELVES
 - (1) #750 FLOOR MOUNTED TRAY
 - (1) 15/20A, 120V DUPLEX RECEPTACLE

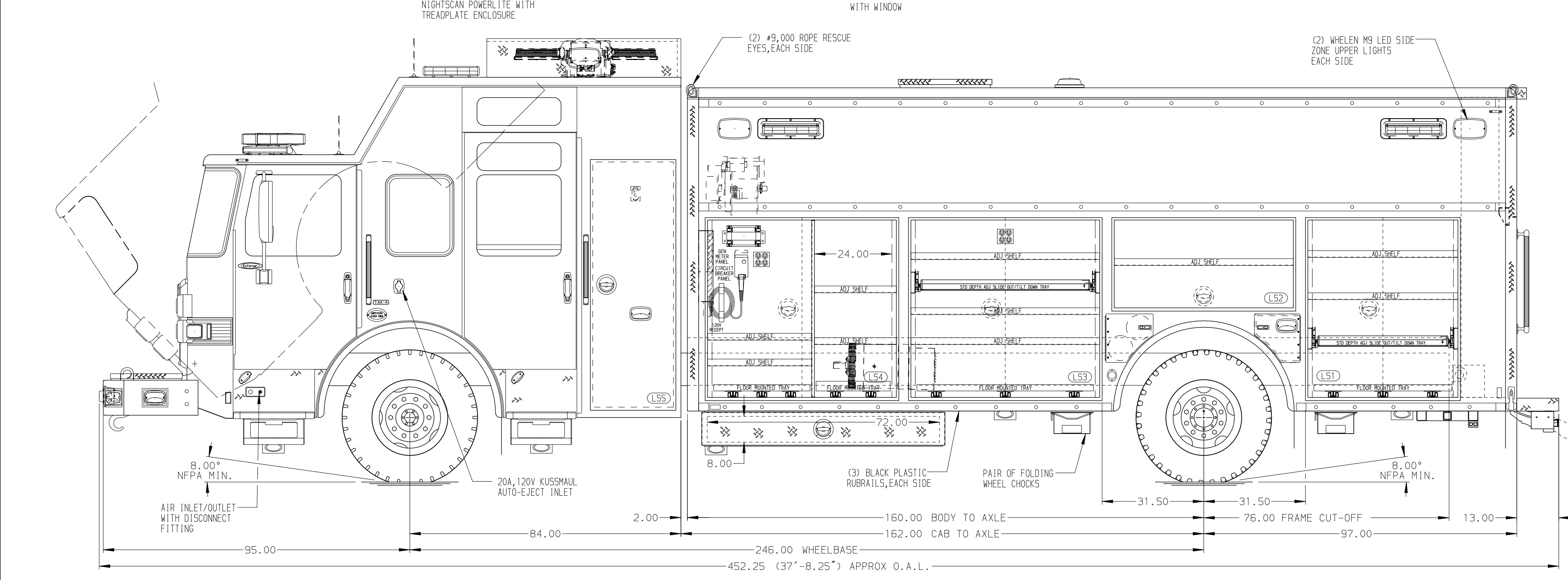
COMPARTMENT R55 CONTAINS:
 - (1) 15/20A, 120V DUPLEX RECEPTACLE



REAR COMPARTMENT CONTAINS THE FOLLOWING:

COMPARTMENT B1 CONTAINS:
 - PEGBOARD ON COMPARTMENT SIDES AND REAR WALL

COMPARTMENT B2 CONTAINS:
 - PEGBOARD ON COMPARTMENT SIDES AND REAR WALL



LEFT SIDE COMPARTMENTS CONTAIN THE FOLLOWING:

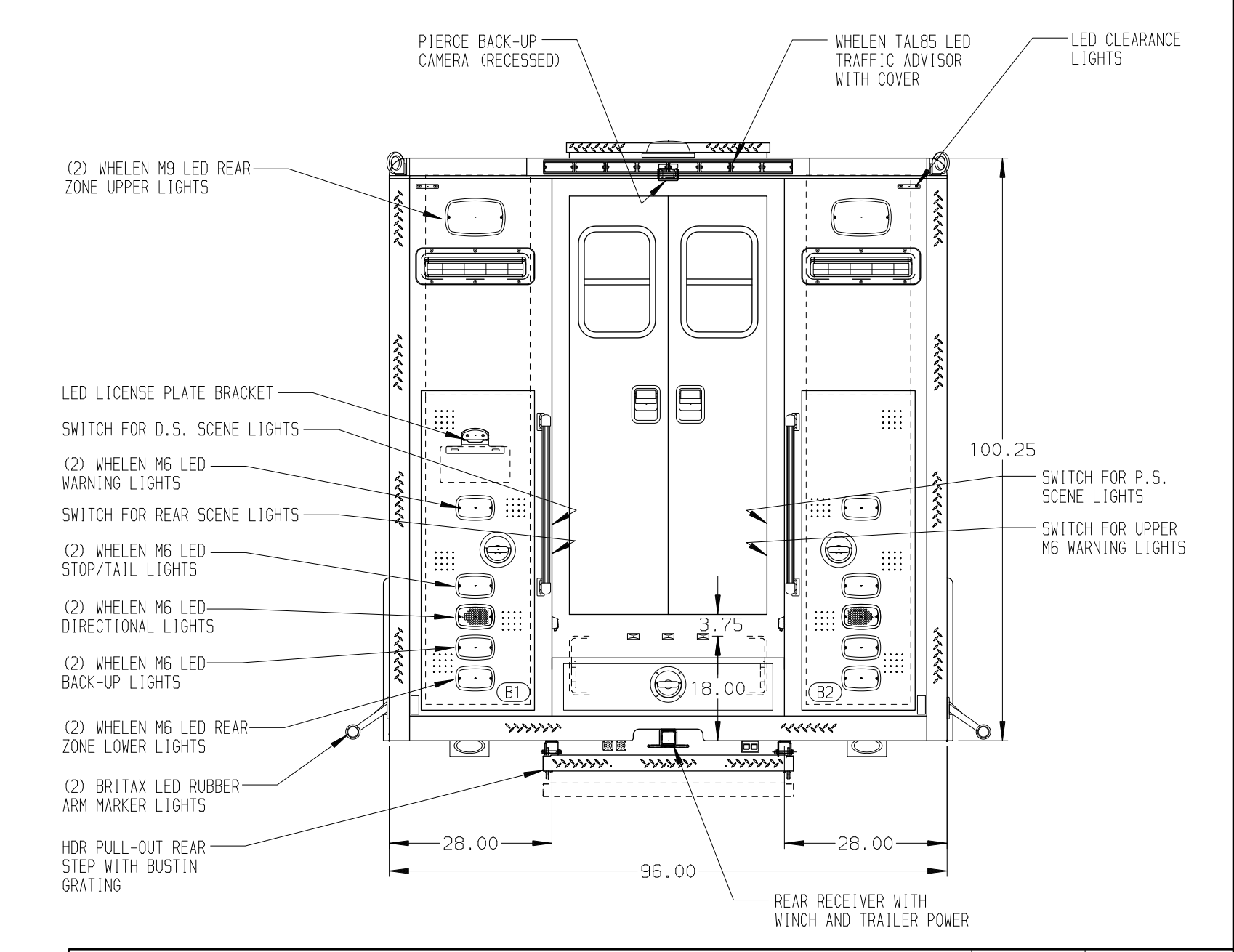
COMPARTMENT L51 CONTAINS:
 - (2) STD DEPTH ADJ SHELVES
 - (1) #750 FLOOR MOUNTED TRAY
 - (1) STD DEPTH ADJ SLIDE OUT/TILT TRAY

COMPARTMENT L52 CONTAINS:
 - (1) STD DEPTH ADJ SHELF

COMPARTMENT L53 CONTAINS:
 - (3) STD DEPTH ADJ SHELVES
 - (1) #750 FLOOR MOUNTED TRAY
 - (1) 15/20A, 120V 4-PLACE RECEPTACLE
 - (1) STD DEPTH ADJ SLIDE OUT/TILT TRAY

COMPARTMENT L54 CONTAINS:
 - (1) VERTICAL COMPARTMENT DIVIDER
 - (4) STD DEPTH ADJ SHELVES
 - (1) FLOOR MOUNTED TRAY (3" SIDES)
 - (1) ELECTRIC CORD REEL WITH 150' OF 12/3 YELLOW CORD
 - (1) 15/20A, 120V 4-PLACE RECEPTACLE
 - (1) CIRCUIT BREAKER PANEL
 - (1) GENERATOR METER PANEL
 - (1) NIGHT SCAN CONTROLLER
 - (1) #750 FLOOR MOUNTED TRAY

COMPARTMENT L55 CONTAINS:
 - (1) 15/20A, 120V DUPLEX RECEPTACLE



NOTE
 DIMENSIONS SHOWN ARE APPROXIMATE AND ARE SUBJECT TO MINOR DEVIATIONS AS MAY OCCUR OR BE NECESSARY IN CONSTRUCTION. MINOR DETAILS NOT SHOWN.

NOTES:

- #9,000 WARN PORTABLE RECEIVER STYLE WINCH
- POLISHED S/S SCUFFPLATES ON CAB AND CREW CAB DOOR JAMBS
- ALUMINUM TREADPLATE ON CAB AND CREW CAB ROOF
- FLOOR IN CAB AND CREW CAB TO BE ALUMINUM TREADPLATE
- KUSSMAUL 1200 CHARGER LOCATED BEHIND THE DRIVER'S SEAT
- BATTERY CHARGE INDICATOR LOCATED ON DRIVER'S SEAT WITH BRACKET
- ALUMINUM TREADPLATE ON FRONT AND REAR BODY CORNERS
- (2) HITCH RECEIVER EXTENSIONS
- (2) #9,000 RECEIVER STYLE TIE DOWNS
- PIERCE LED LIGHT STRIPS IN ALL BODY COMPARTMENTS
- HARRISON 25KW SINGLE PHASE PTO DRIVEN GENERATOR WITH SPLASH GUARD LOCATED BETWEEN THE FRAME RAILS
- 15/20A, 120V DUPLEX RECEPTACLE LOCATED BEHIND EACH FRONT SEAT

NOTE: LAP DOORS HAVE BEEN SHOWN IN HIDDEN LINES TO CLEARLY IDENTIFY THE EQUIPMENT IN EACH COMPARTMENT. DASHED LINES ON SIDES ARE DOORS IN OPEN POSITION

(SIDE ROLL AND FRONTAL IMPACT PROTECTION)

| REV | DATE | BY | CH | MODEL | MAKE | CHASSIS DATA |
|-----|---------|-----|-----|--------|--------|--------------|
| 1 | 12DEC24 | DHE | CDK | EN8424 | PIERCE | |
| 2 | 18SEP24 | DHE | CDK | | | |
| 3 | 24JUN24 | BRT | CDK | | | |
| 4 | 29APR24 | DHE | CDK | | | |
| 5 | 23FEB24 | DHE | CDK | | | |

| | | | |
|----------------------------------|---------------------------------|----------------|---------|
| Pierce MANUFACTURING INC. | | JOB NO. | 39245 |
| | | SCALE | 1:24 |
| | | DATE | 16JAN24 |
| TITLE | HEAVY DUTY RESCUE WALKIN | DRAWN BY | DHE |
| FOR | NORTH PATCHOGUE FIRE DEPARTMENT | CHECKED BY | CDK |
| | BID #784 | | 30JAN24 |
| | | PETER HANRATTY | |
| DWG NO. | 39245AD-SH1 | SHEET SIZE | D |
| | | SHEET NO. | 1 OF 1 |