

PUMPER BODY

Medium Aluminum 2nd Gen Pumper

CHASSIS

Enforcer Chassis

CHASSIS AXLE, FRONT, CUSTOM

18,000 Lb Dana Axle

AXLE, REAR

24,000 Lb Meritor Axle

ENGINE

450 HP Cummins L9 Engine

TRANSMISSION

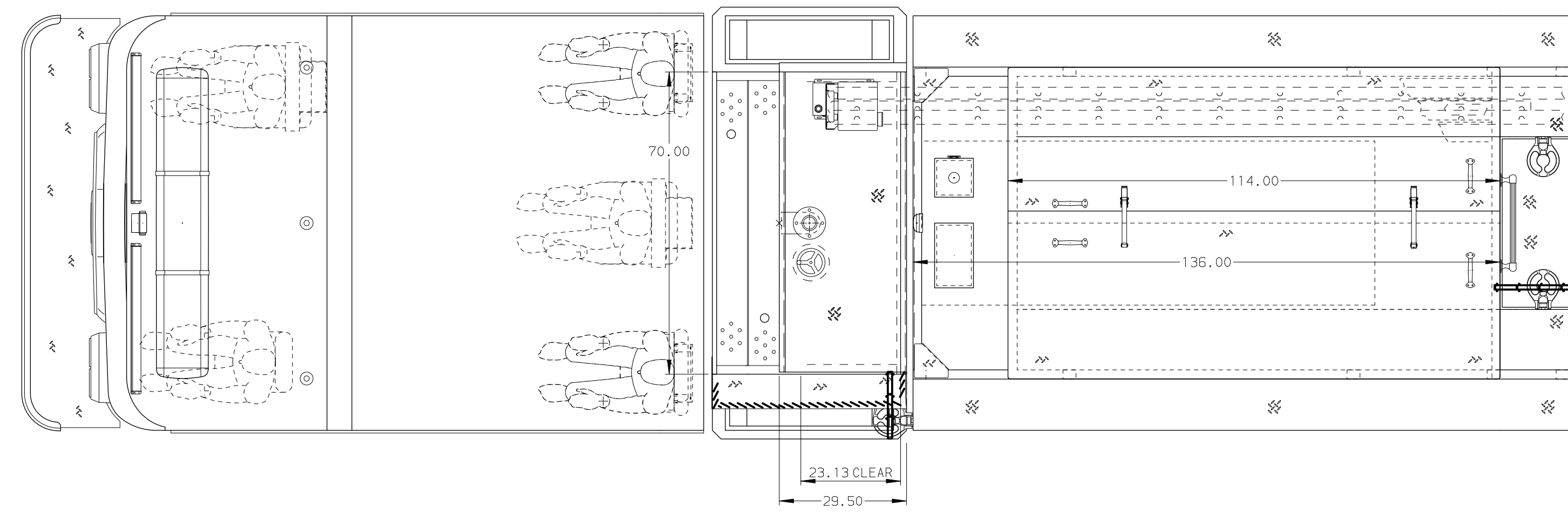
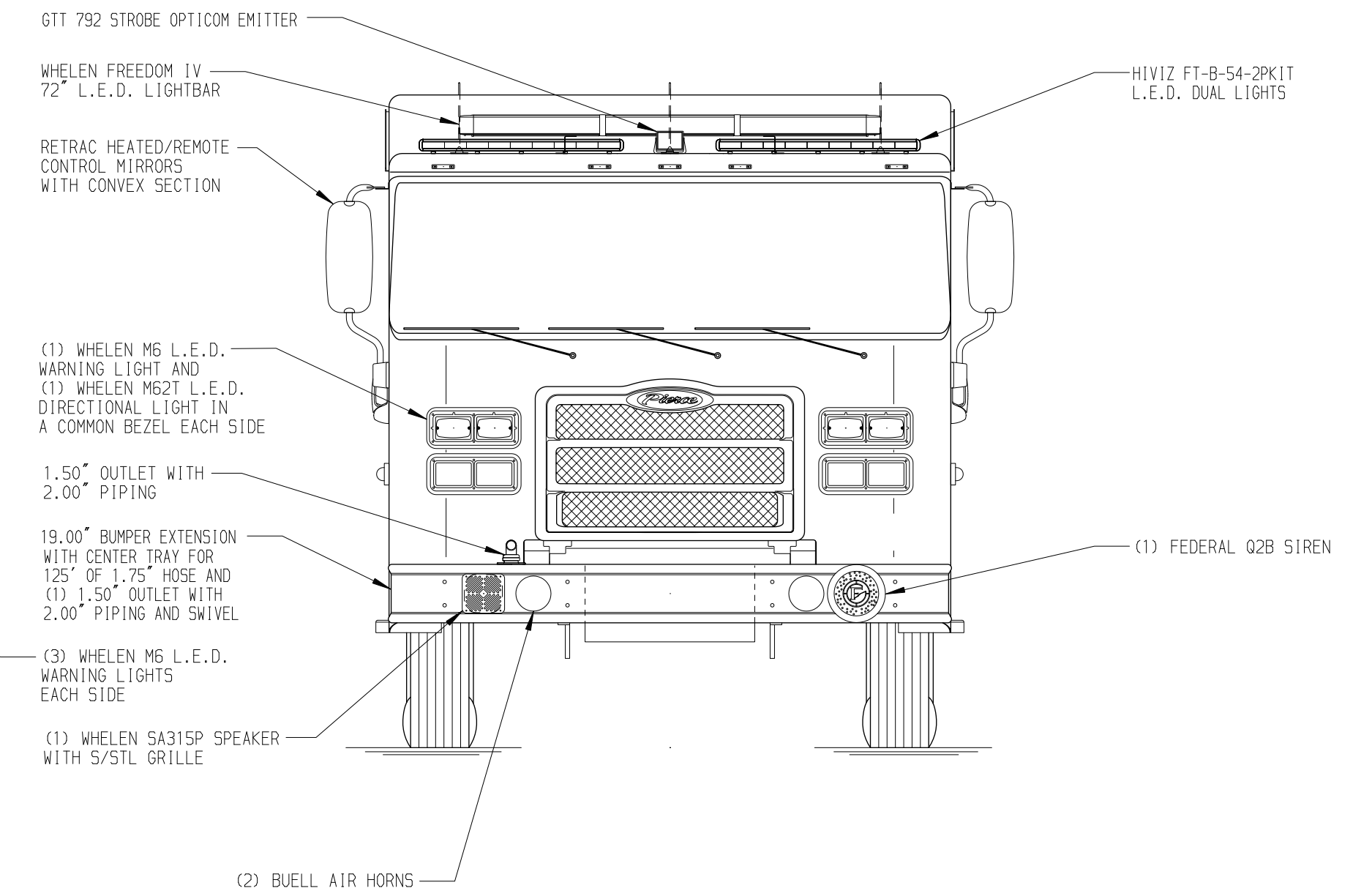
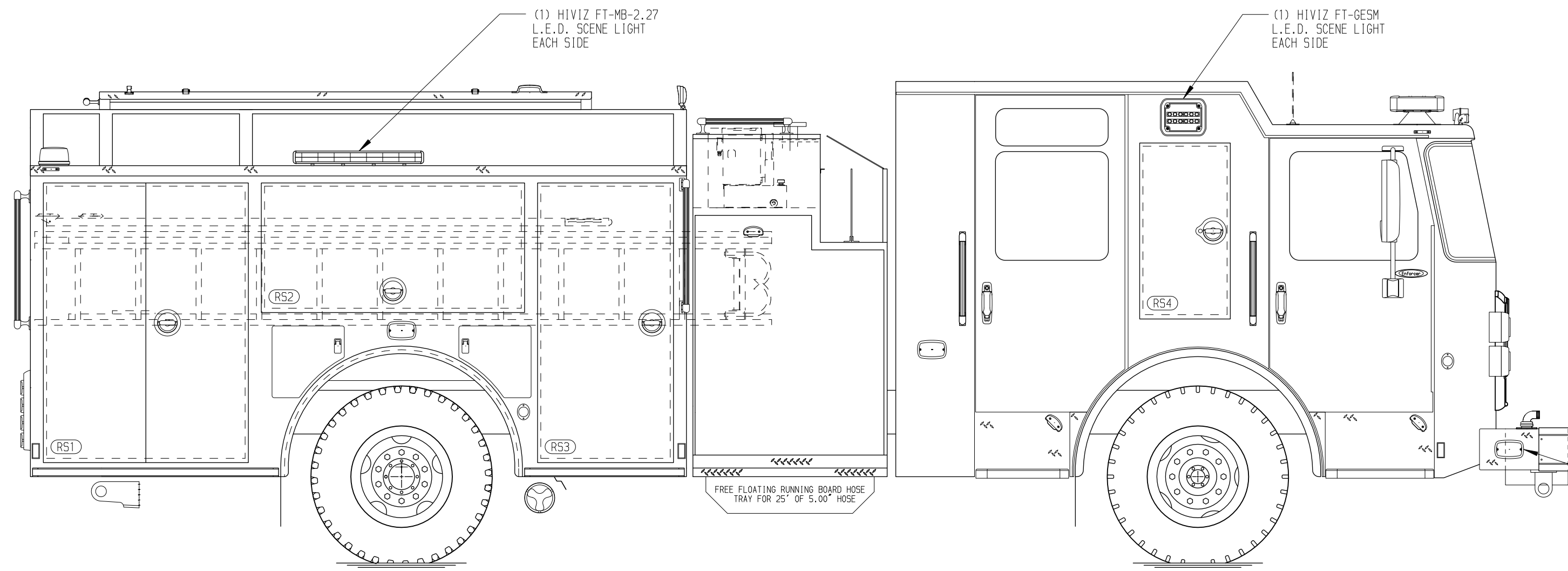
Allison 6th Gen, 3000 EVS P

BUMPER

19" Extended Stainless Steel

CAB

7010 Enforcer Cab



HOSEBED CAPACITY	
BED 1	500' OF 2.50" D.J. POLY HOSE
BED 2	200' OF 2.50" D.J. POLY HOSE
BED 3	300' OF 2.50" D.J. POLY HOSE
BED 4	1000' OF 4.00" D.J. POLY HOSE

BODY TOTAL TANK CAPACITY

525 Gallon Poly Tank

WATER CAPACITY

500 Gallons of Water

FOAM CELL

25 Gallon Foam Cell

COMPT, PUMPER, REAR

37.75" FF RollUp Rear Compt

COMPT, PUMPER, LEFT SIDE

152" Lap Full Height & Depth Front & Rear

COMPT, PUMPER, RIGHT SIDE

152" Lap Full Height & Depth Front & Rear

FIRE SUPPRESSION PUMPHOUSE

45" Control Zone Side Mount

PUMP

1500 GPM Waterous CSU

CROSSLAYS, 1.50"

(2) 1.50" Standard Capacity

CROSSLAYS, 2.50"

2.50" Crosslay Not Required

SPEEDLAYS

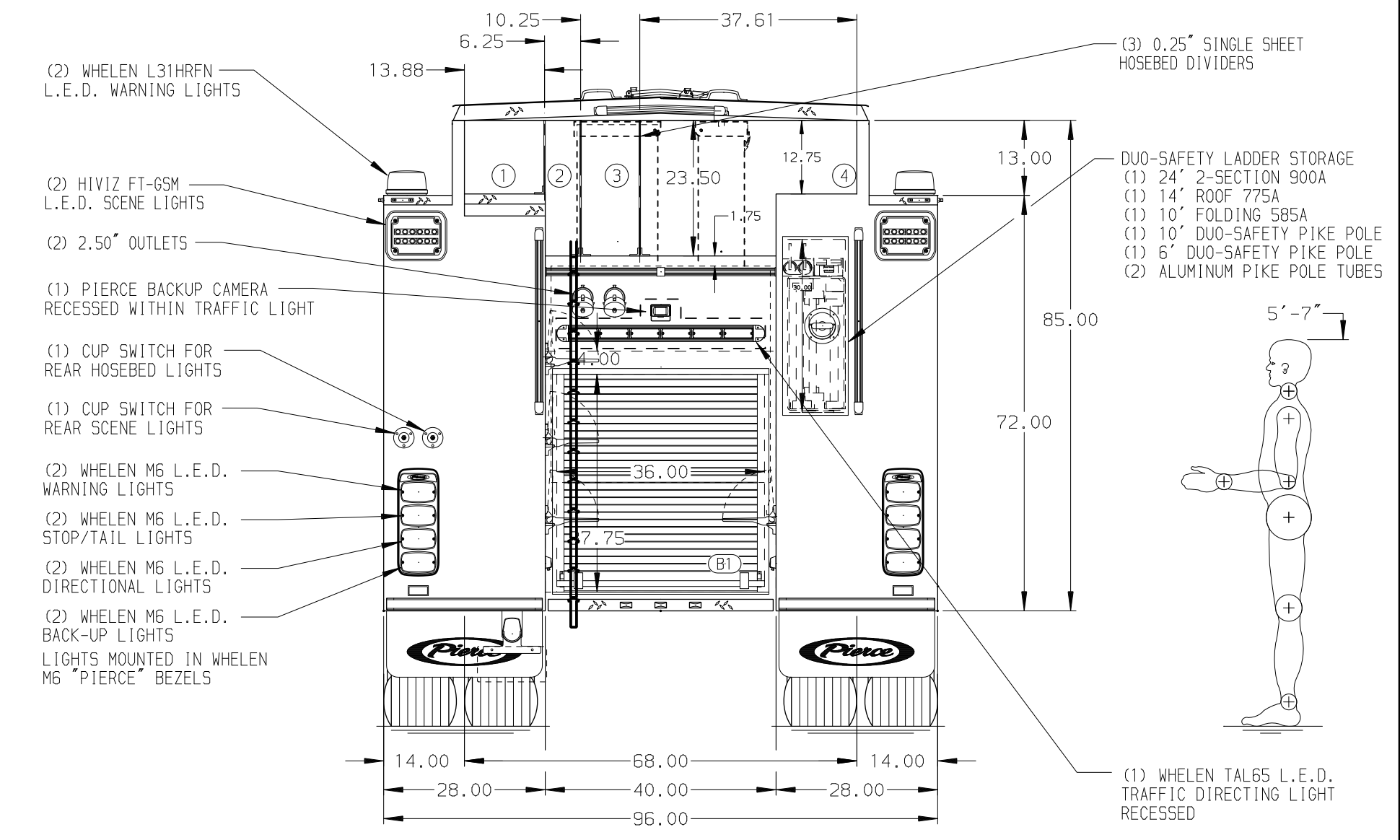
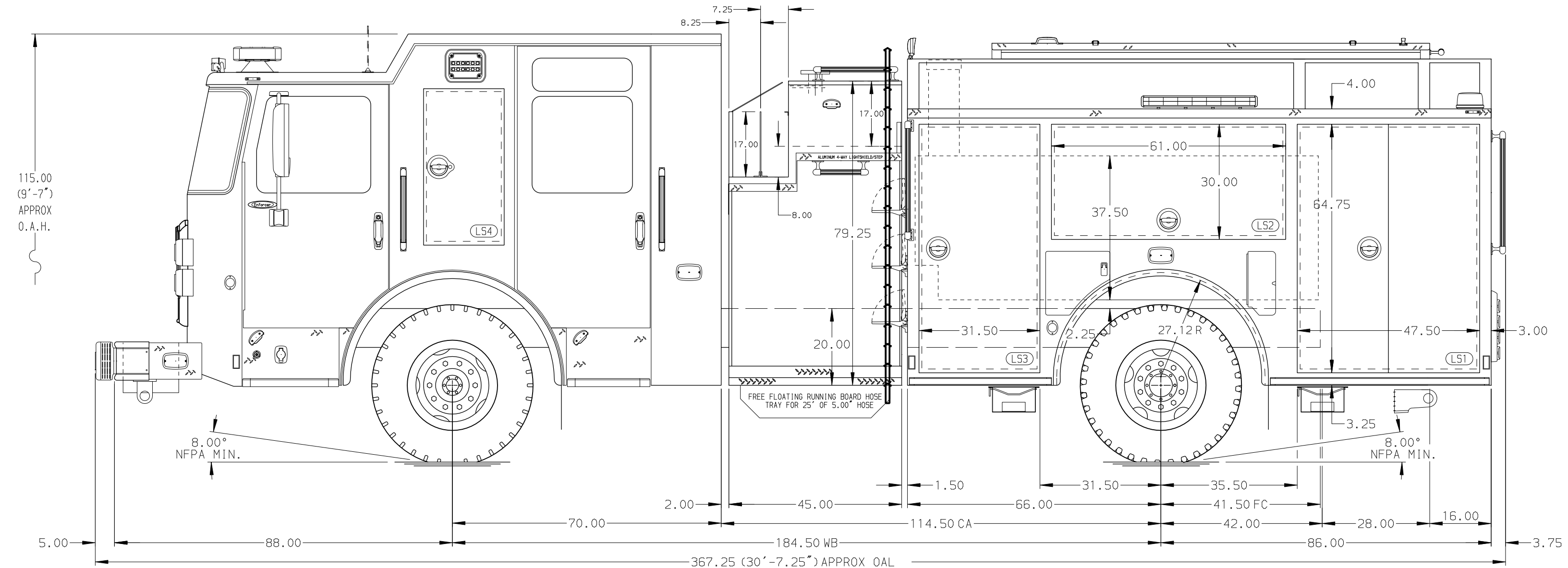
SpeedLays Not Required

GENERATOR

Generator Not Required

FOAM SYSTEM

Husky 3 Single Agent Foam System



NOTE
DIMENSIONS SHOWN ARE APPROXIMATE AND ARE SUBJECT TO MINOR DEVIATIONS AS MAY OCCUR OR BE NECESSARY IN CONSTRUCTION. MINOR DETAILS NOT SHOWN.

- BATTERY CHARGER LOCATED IN COMPARTMENT PER SHOP ORDER
- BATTERY CHARGER INDICATOR LOCATED ON DRIVER'S SEAT RISER
- DUAL L.E.D. LIGHT STRIPS LOCATED IN HOSE BED
- DRIP PAN GUARD FOR ROLL-UP DOOR LOCATED PER SHOP ORDER
- TEN FULL WIDTH/DEPTH ADJUSTABLE SHELVES IN COMPARTMENTS PER SHOP ORDER
- FIVE FLOOR MOUNTED SLIDE-OUT TRAYS IN COMPARTMENTS PER SHOP ORDER
- SKING-OUT TOOL BOARD WITH PEGBOARD PATTERN IN COMPARTMENT PER SHOP ORDER
- 120V DUPLEX RECEPTABLES LOCATED PER SHOP ORDER
- AIR INLET WITH KUSSMAUL AIR EJECT IN THE DRIVER SIDE STEPWELL
- SHORELINE RECEPTABLE WITH KUSSMAUL SUPER AUTO-EJECT LOCATED IN THE DRIVER SIDE STEPWELL
- TWO TILTY/SLIDE OUT TRAY LOCATED PER SHOP ORDER
- AIR OUTLET WITH SHUT OFF VALVE LOCATED PER SHOP ORDER

REV	DATE	BY	CH	ENFORCER
22JUL24	MMF	GKH		PIERCE
24MAY24	MMF	CLM		MODEL

Pierce MANUFACTURING INC.		JOB NO.	39224
TITLE		SCALE	DATE
Pierce Pumper Approval Drawing		1:24	28MAR24
FOR		DRAWN BY	ARI
Newport Fire Department		CHECKED BY	AMI
DWG NO.		SHEET SIZE	SHEET NO.
39224AD		D	1 OF 1