

PUMPER BODY

Medium Aluminum 2nd Gen Pumper

CHASSIS

Enforcer Chassis

CHASSIS AXLE, FRONT, CUSTOM

19,500 Lb TAK-4 Axle

AXLE, REAR

27,000 Lb Dana Axle

ENGINE

450 HP Cummins L9 Engine

TRANSMISSION

Allison 6th Gen, 3000 EVS P

BUMPER

26" Extended Painted Steel

CAB

7010 Enforcer Cab

BODY

TOTAL TANK CAPACITY

770 Gallon New York Style Poly Tank

WATER CAPACITY

750 Gallons of Water

FOAM CELL

20 Gallon Foam Cell

COMPT, PUMPER, REAR

30.75" FF RollUp Rear Compt

COMPT, PUMPER, LEFT SIDE

152" RollUp Full Height Front & Rear FDLER

COMPT, PUMPER, RIGHT SIDE

152" RollUp Full Height Front & Rear FDLER

FIRE SUPPRESSION PUMPHOUSE

48" Control Zone Top Mount

PUMP

2000 GPM Waterous CSU

CROSSLAYS, 1.50"

1.50" CrossLays Not Required

CROSSLAYS, 2.50"

2.50" CrossLay Not Required

SPEEDLAYS

(2) 1.50" Std. Capacity

GENERATOR

Generator Not Required

FOAM SYSTEM

Husky 3 Single Agent Foam System

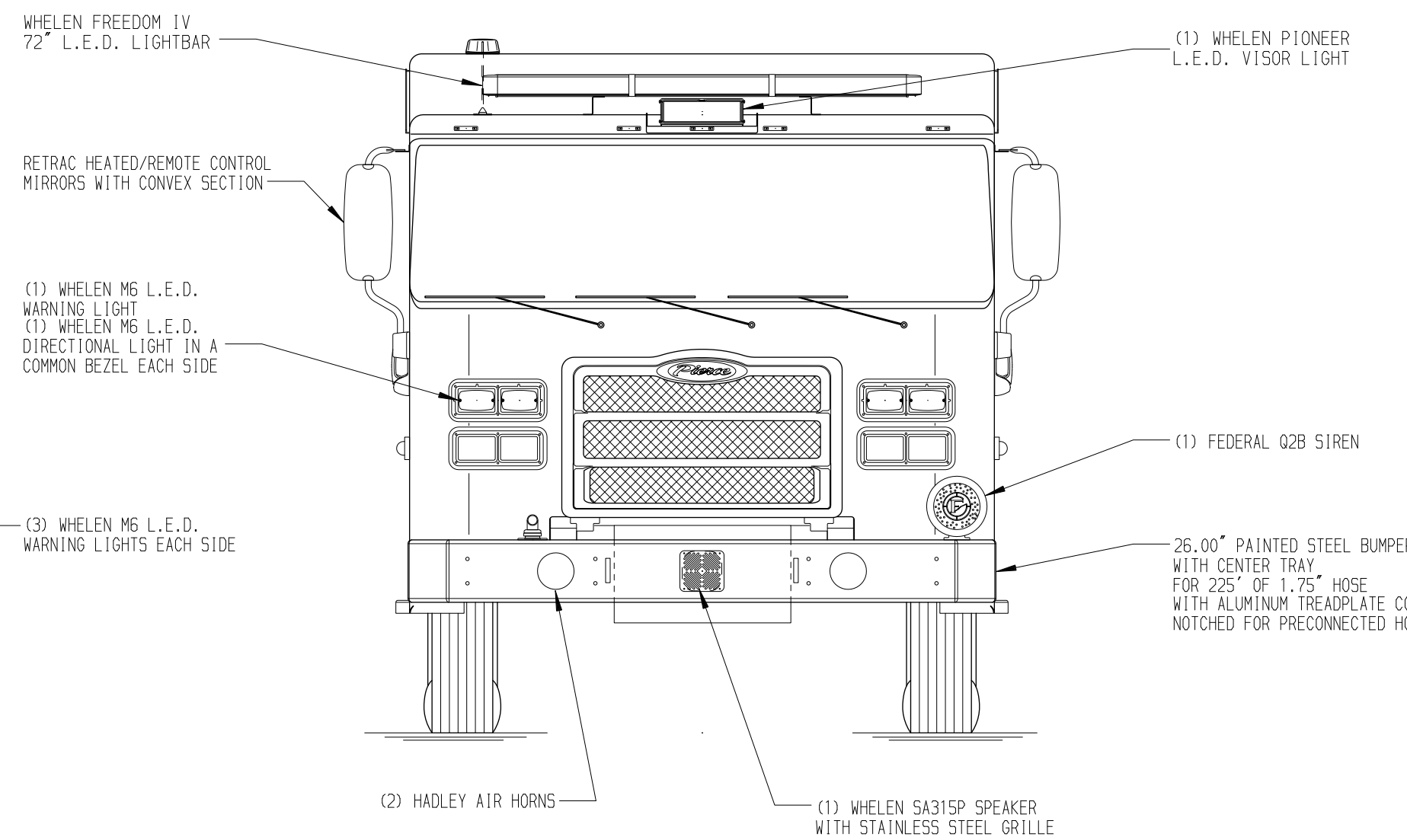
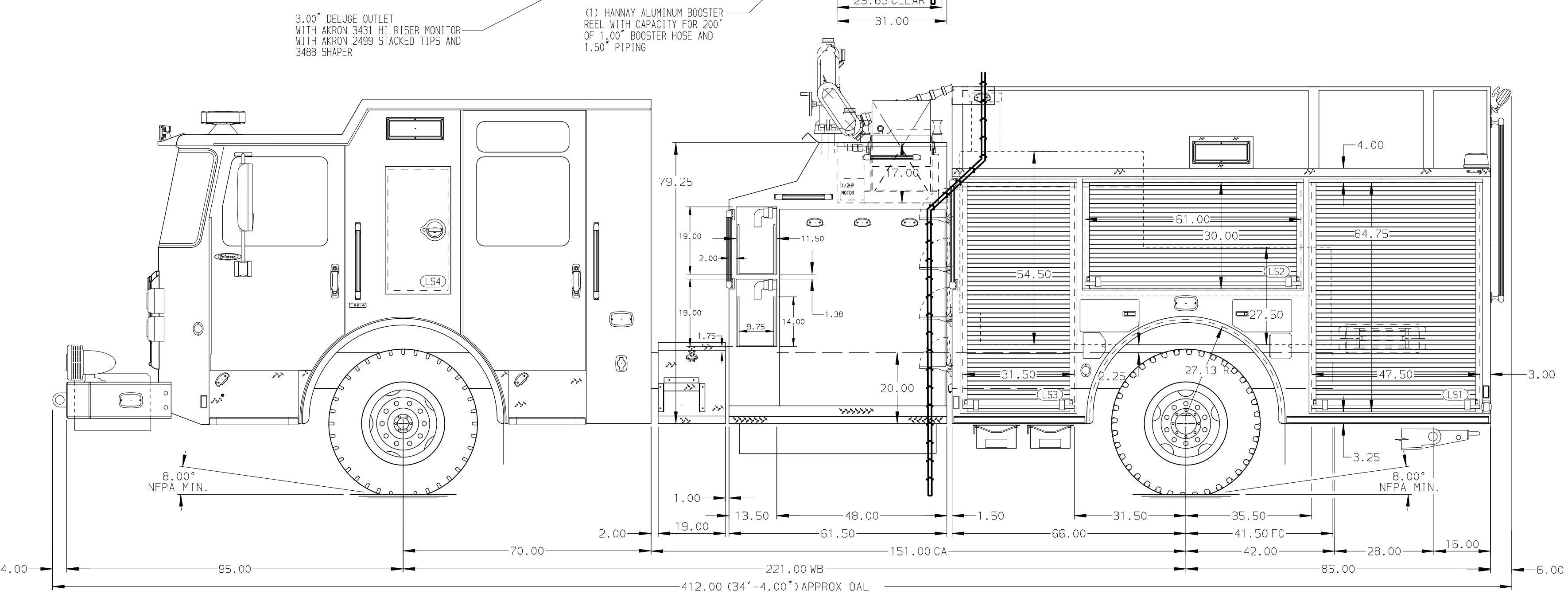
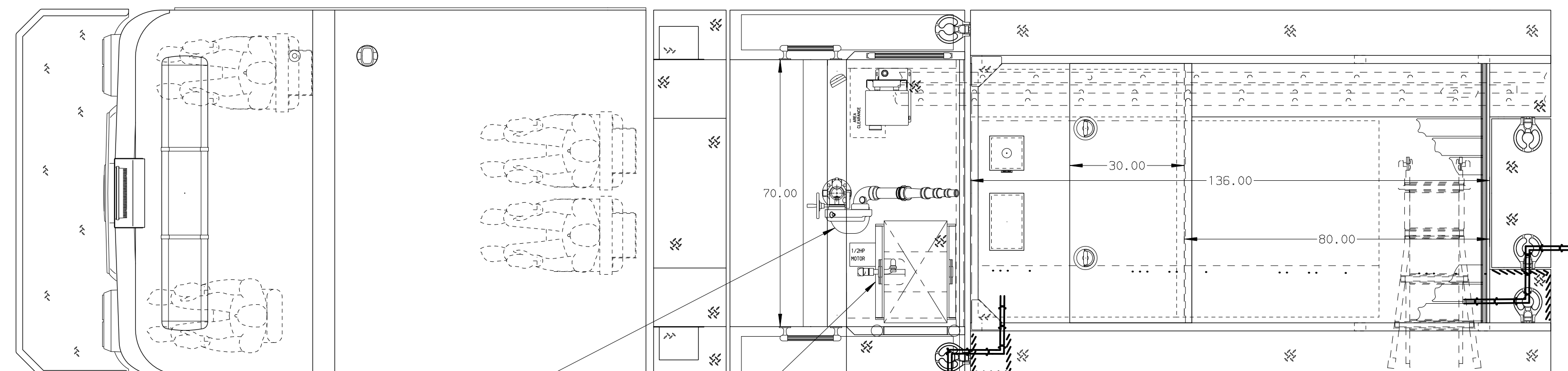
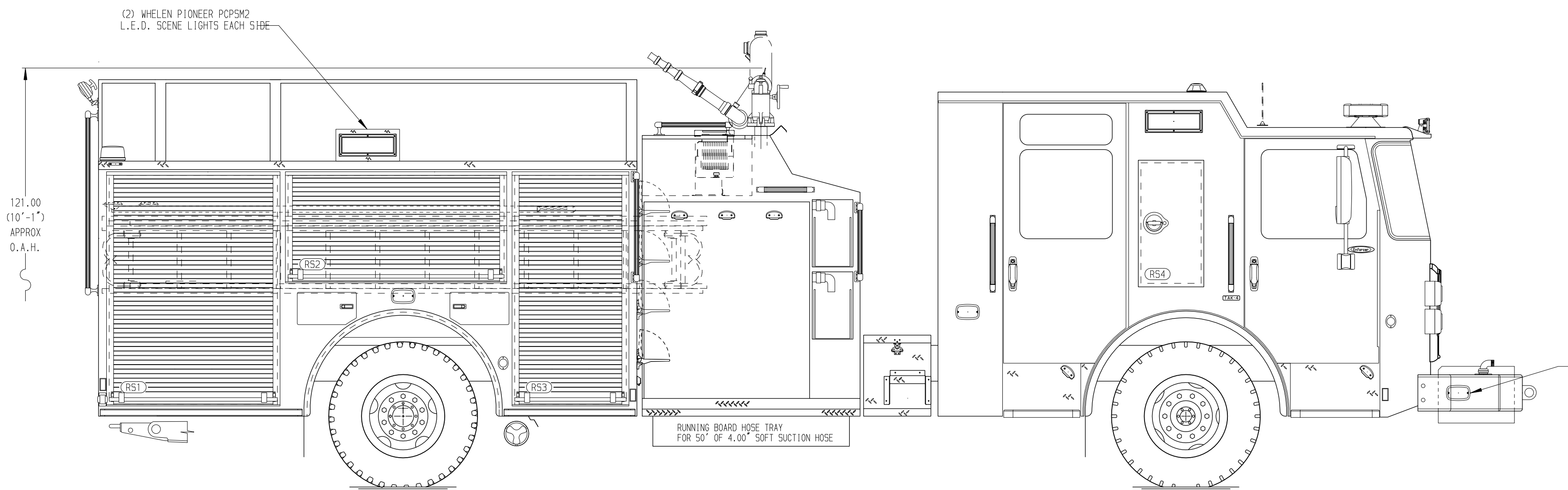
SAFETY

Side Roll and Frontal Impact Protection

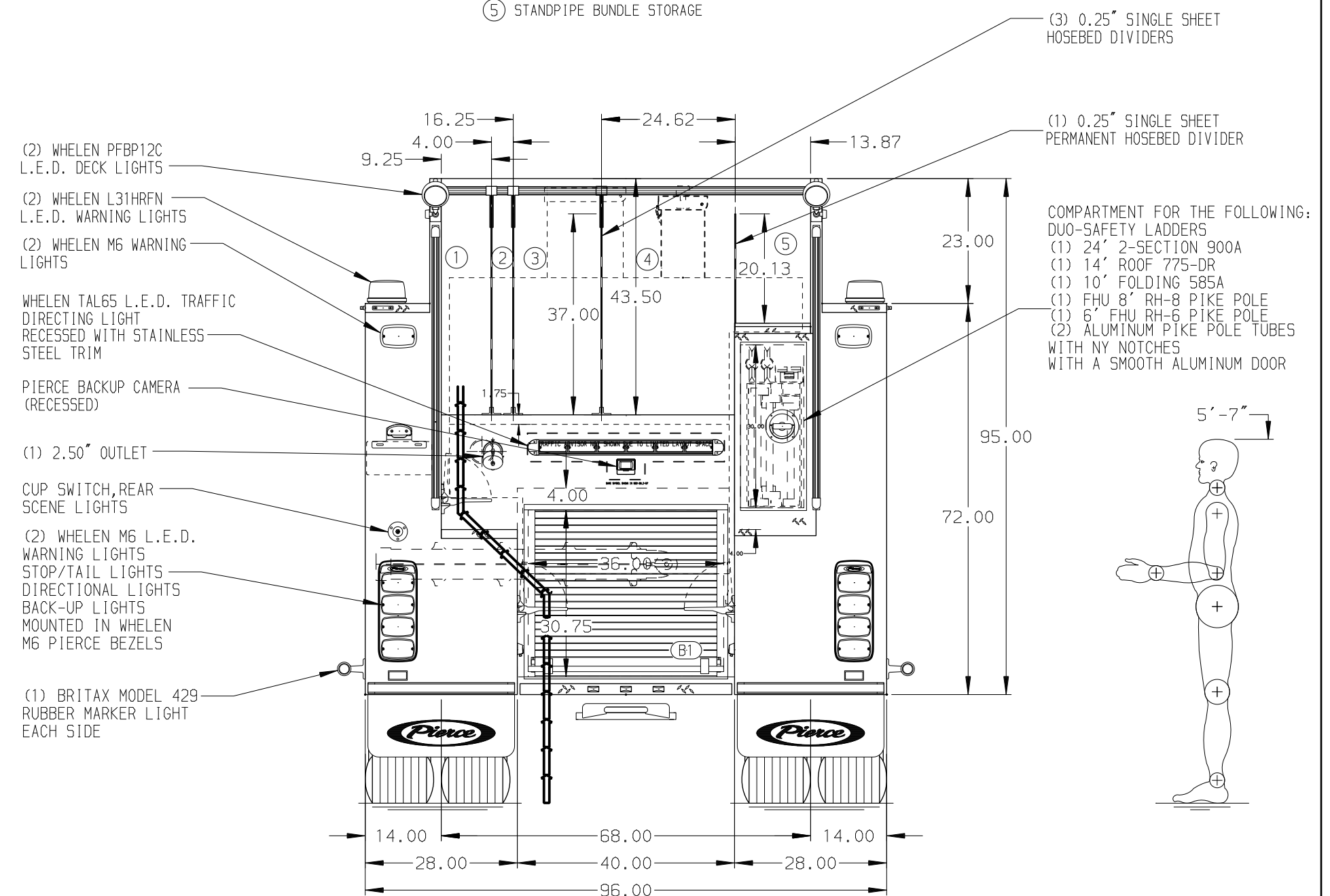
NOTE

DIMENSIONS SHOWN ARE APPROXIMATE AND ARE SUBJECT TO MINOR DEVIATIONS AS MAY OCCUR OR BE NECESSARY IN CONSTRUCTION. MINOR DETAILS NOT SHOWN.

- BATTERY CHARGER LOCATED IN COMPARTMENT PER ORDER
- BATTERY CHARGER INDICATOR LOCATED ON DRIVER'S SEAT RISER
- STORAGE RACK FOR TWO SCBA BOTTLES IN COMPARTMENT PER ORDER
- FIVE FULL WIDTH/DEPTH ADJUSTABLE SHELVES IN COMPARTMENTS PER ORDER
- ONE FLOOR MOUNTED SLIDE-OUT TRAYS IN COMPARTMENTS PER ORDER
- L.E.D. LIGHT STICKS LOCATED IN THE CARGO AREA
- ONE 120V 7-PLACE RECEPTACLE STRIP MOUNTED IN CAB PER SHOP ORDER



- #### HOSEBED CAPACITIES
- 500' OF 2.50" D.J. POLY HOSE
 - 300' OF 1.75" D.J. POLY HOSE
 - 600' OF 5.00" D.J. POLY HOSE
 - 600' OF 5.00" D.J. POLY HOSE
 - STANDPIPE BUNDLE STORAGE



		JOB NO.	39207
		SCALE	1:24
Pierce MANUFACTURING INC.		TITLE	Pierce Pumper Approval Drawing
		DATE	29MAR24
PIERCE		DRAWN BY	BTH
		CHECKED BY	AMI
ENFORCER		FOR	Broken Arrow
		SHEET SIZE	D
REV	DATE	BY	CH
09JUL24	BTH	JLL	PIERCE
02MAY24	MMF	JLL	MODEL
DWG NO.		39207AD	
SHEET NO.		1 OF 1	