

RIGHT SIDE COMPARTMENTS CONTAIN THE FOLLOWING:

COMPARTMENT RS1 CONTAINS:

- (2) STD DEPTH SLIDE OUT TRAYS WITH TOOLBOARDS

COMPARTMENT RS2 CONTAINS:

- (3) STD DEPTH ADJ SLIDE OUT/TILT TRAY
- (1) STD DEPTH FLOOR MTD SLIDE OUT TRAY WITH SIDE SLIDES

COMPARTMENT RS3 CONTAINS:

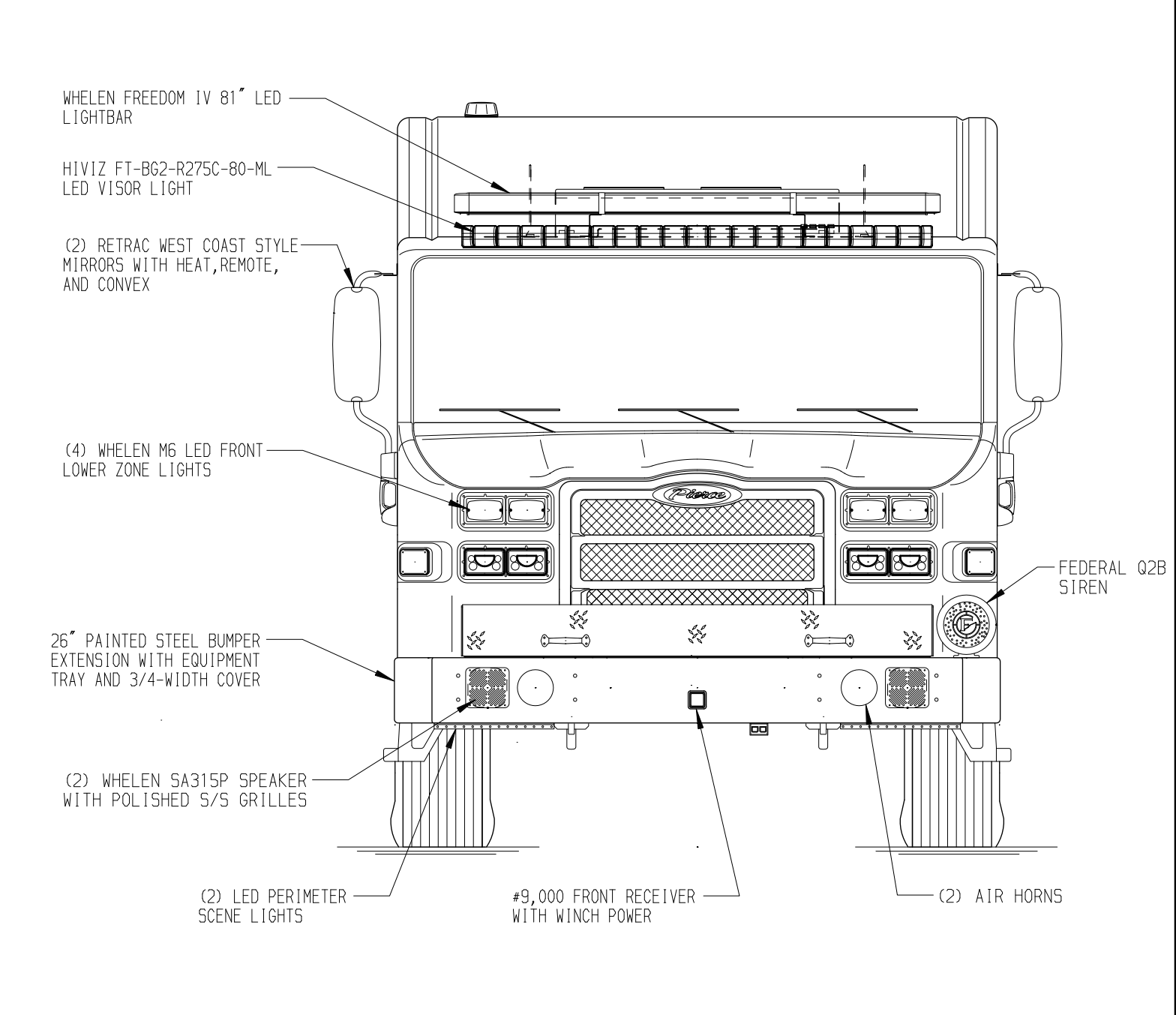
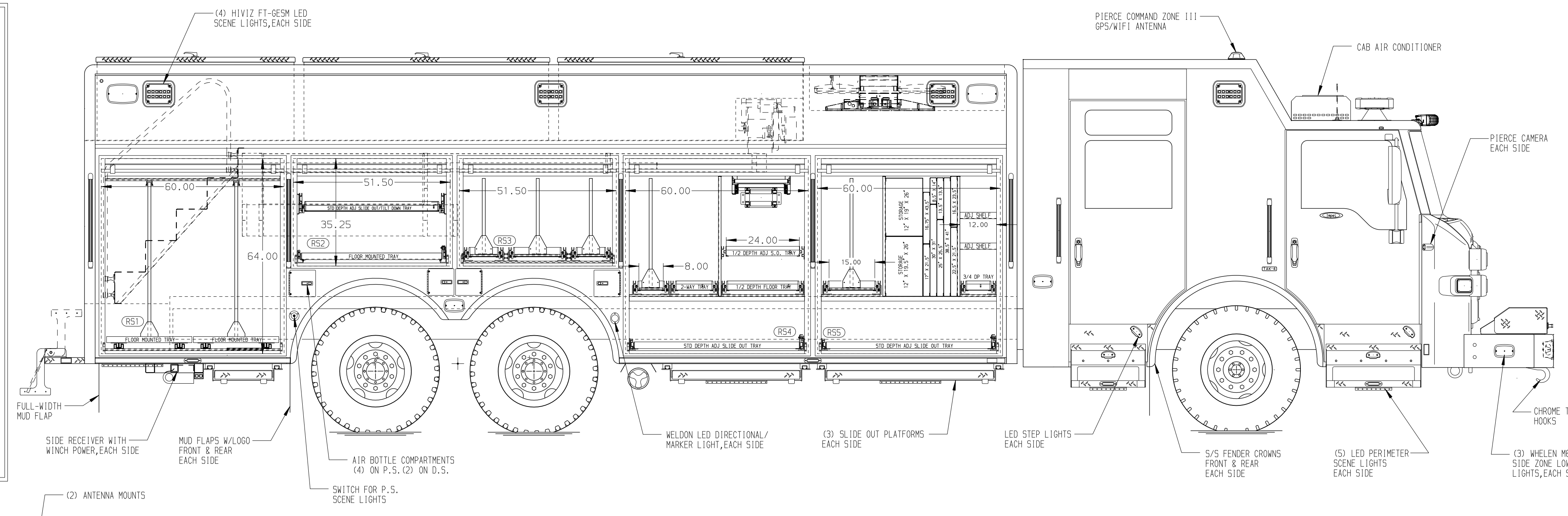
- (3) 2-WAY FLOOR MTD SLIDE OUT TRAYS WITH TOOLBOARDS

COMPARTMENT RS4 CONTAINS:

- (1) HORIZONTAL FLOOR EXTENSION
- (1) 1/2 DEPTH ADJ SLIDE OUT TRAY
- (1) 2-WAY FLOOR MOUNTED TRAY
- (1) 2-WAY FLOOR MOUNTED TRAY WITH TOOLBOARD
- (1) 1/2 DEPTH FLOOR MOUNTED TRAY
- (1) FLOOR MOUNTED TRAY W/SIDE SLIDES
- (1) VERTICAL COMPARTMENT DIVIDER
- (1) ELECTRIC CORD REEL WITH 200' OF 10/3 YELLOW CORD
- (1) SLIDE OUT ROLLER GUIDE BRACKET

COMPARTMENT RS5 CONTAINS:

- (1) HORIZONTAL FLOOR EXTENSION
- (1) RACK FOR 9 AIR BAGS
- (1) 2-WAY FLOOR MOUNTED TRAY WITH TOOLBOARD
- (1) FLOOR MOUNTED TRAY W/SIDE SLIDES
- (1) 3/4 DEPTH FLOOR MTD SLIDE OUT TRAY
- (2) EQUIPMENT STORAGE TROUGHS
- (2) VERTICAL COMPARTMENT DIVIDERS
- (2) 3/4 DEPTH ADJ SHELVES



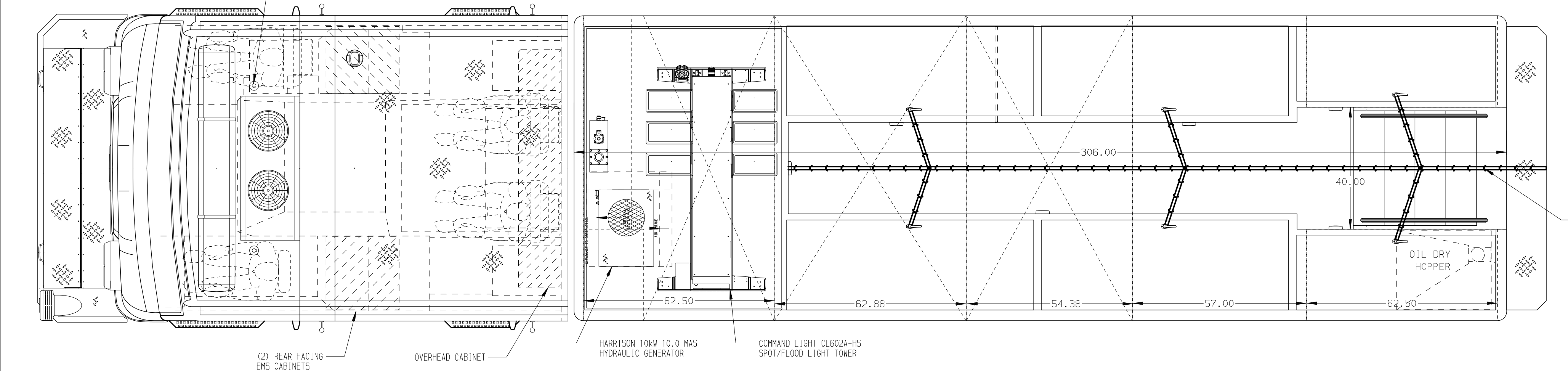
REAR COMPARTMENT CONTAINS THE FOLLOWING:

COMPARTMENT B1 CONTAINS:

-
-

COMPARTMENT B2 CONTAINS:

- (1) 98" DP FLOOR MOUNTED SLIDE OUT TRAY
- (1) RACK FOR THE FOLLOWING:
 - (1) 24" 2-SECTION LADDER
 - (1) 10' FOLDING LADDER
 - (1) 17" LITTLE GIANT OVERHAUL LADDER
 - (1) 22" LITTLE GIANT LADDER
 - (6) PIKE POLES



LEFT SIDE COMPARTMENTS CONTAIN THE FOLLOWING:

COMPARTMENT LS1 CONTAINS:

- (1) OIL DRY HOPPER
- (1) STD DEPTH ADJ SLIDE OUT TRAY
- (1) FLOOR MOUNTED TRAY WITH TOOLBOARD
- (1) FLOOR MOUNTED TRAY W/SIDE SLIDES
- (1) VERTICAL COMPARTMENT DIVIDER
- (1) ELECTRIC CORD REEL WITH 200' OF 10/3 YELLOW CORD
- (1) SLIDE OUT ROLLER GUIDE BRACKET

COMPARTMENT LS2 CONTAINS:

- (1) RACK FOR 18 SCBA BOTTLES

COMPARTMENT LS3 CONTAINS:

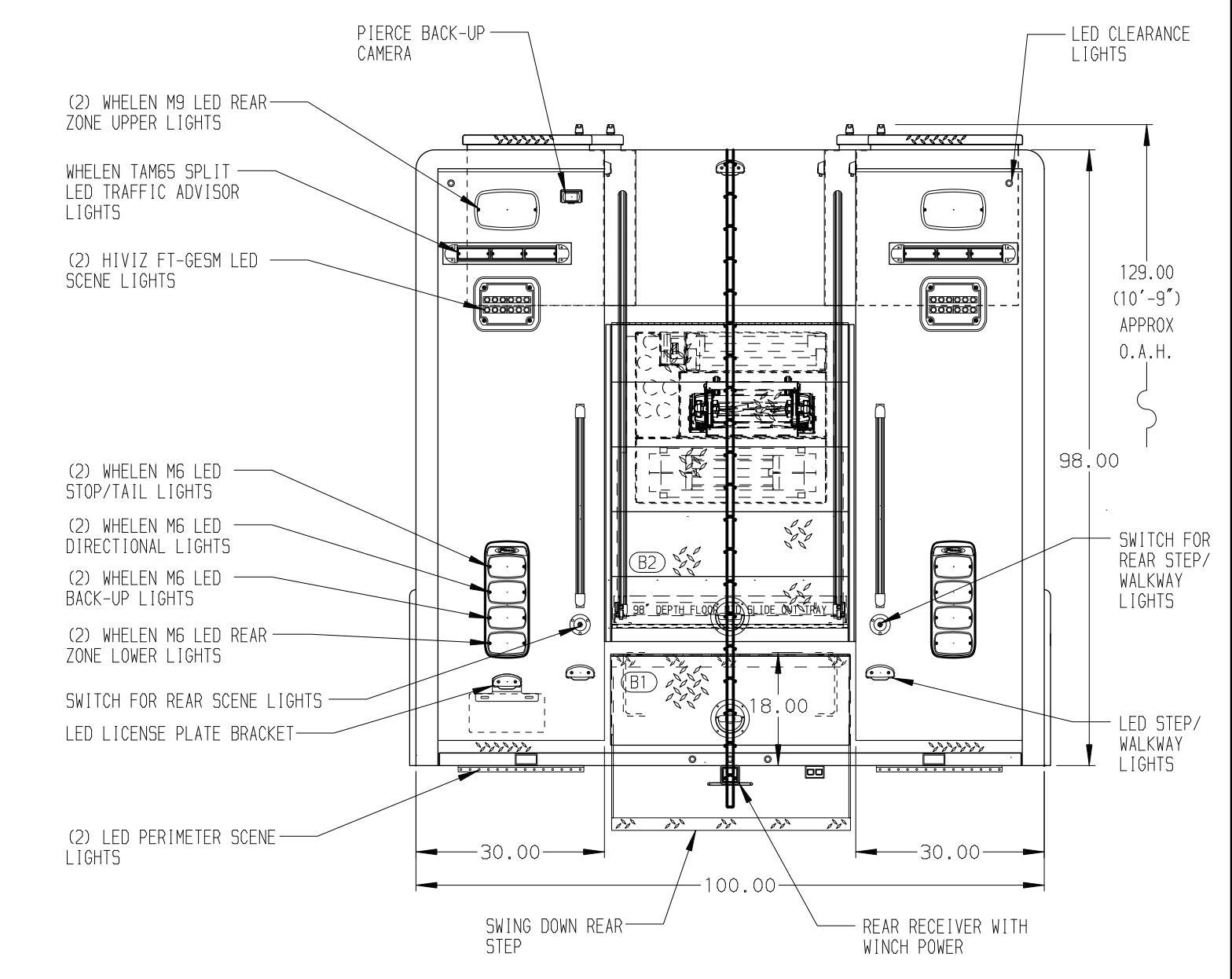
- (3) 2-WAY FLOOR MTD SLIDE OUT TRAYS WITH TOOLBOARDS

COMPARTMENT LS4 CONTAINS:

- (1) HORIZONTAL FLOOR EXTENSION
- (1) 1/2 DEPTH ADJ SLIDE OUT TRAY
- (1) 2-WAY FLOOR MOUNTED TRAY
- (1) 2-WAY FLOOR MOUNTED TRAY WITH TOOLBOARD
- (1) FLOOR MOUNTED TRAY W/SIDE SLIDES
- (1) VERTICAL COMPARTMENT DIVIDER

COMPARTMENT LS5 CONTAINS:

- (1) HORIZONTAL FLOOR EXTENSION
- (1) 1/2 DEPTH ADJ SLIDE OUT TRAY
- (1) 1/2 DEPTH ADJ SLIDE OUT/TILT TRAY
- (1) 2-WAY FLOOR MOUNTED TRAY WITH TOOLBOARD
- (1) VERTICAL COMPARTMENT DIVIDER
- (1) 1-DRAWER CABINET
- (1) VERTICAL "L"-SHAPED DIVIDER
- (1) VERTICALLY HINGED TREADPLATE DOOR
- (1) CIRCUIT BREAKER PANEL
- (1) GENERATOR METER PANEL
- (1) LIGHT TOWER CONTROLLER
- (2) ADJ 3/8" PLATES MTD AT AN ANGLE
- (1) 15/20A, 120V 4-PLACE RECEPTACLE



NOTE
DIMENSIONS SHOWN ARE APPROXIMATE AND ARE SUBJECT TO MINOR DEVIATIONS AS MAY OCCUR OR BE NECESSARY IN CONSTRUCTION. MINOR DETAILS NOT SHOWN.

NOTES:

- AMOR LED LIGHTS IN ALL BODY AND HATCH COMPARTMENTS
- AIR INLET/OUTLET WITH DISCONNECT FITTING LOCATED IN DRIVER'S STEP WELL OF CAB
- ALUMINUM TREADPLATE ON RAISED CAB ROOF
- FLOOR IN CAB AND CREW CAB TO BE ALUMINUM TREADPLATE
- (4) FIRE VULCAN HANDLIGHTS LOCATED IN CREW CAB
- (2) 15/20A, 120V DUPLEX RECEPTACLES, (1) IN EACH EMS CABINET
- KUSSMAUL PUMP PLUS 1200 CHARGER

TAK-4 T-3 34K REAR SUSPENSION

CLEAR DOOR WIDTH KEY		REV	DATE	BY	CH	CHASSIS DATA
AMOR ROLL UP DOORS:	-2 1/4"	31MAY24	DHE	AZU		TITLE
CORTITE ROLL UP DOORS:	-2 1/2"	04APR24	DHE	AZU	MAKE	HEAVY DUTY RESCUE NON-WALK-IN
PIERCE DOUBLE LAP DOORS:	-4 1/4"	28MAR24	DHE	AZU	PIERCE	FOR
PIERCE LIFT-UP LAP DOORS:	-1 1/2"	16JAN24	DHE	CDK	MODEL	MARRERO-ESTELLE FIRE DEPARTMENT BID #306
(EX: 60" F-F - 2 1/4" = 57 3/4" CLEAR)						DWG NO.
(F-F) = FRAME TO FRAME						39167AD

Pierce MANUFACTURING INC.

JOB NO. 39167

SCALE 1:24 DATE

DRAWN BY DHE 22NOV23

CHECKED BY AZU 28NOV23

LANCE BOUYE

SHEET SIZE D SHEET NO. 1 OF 1