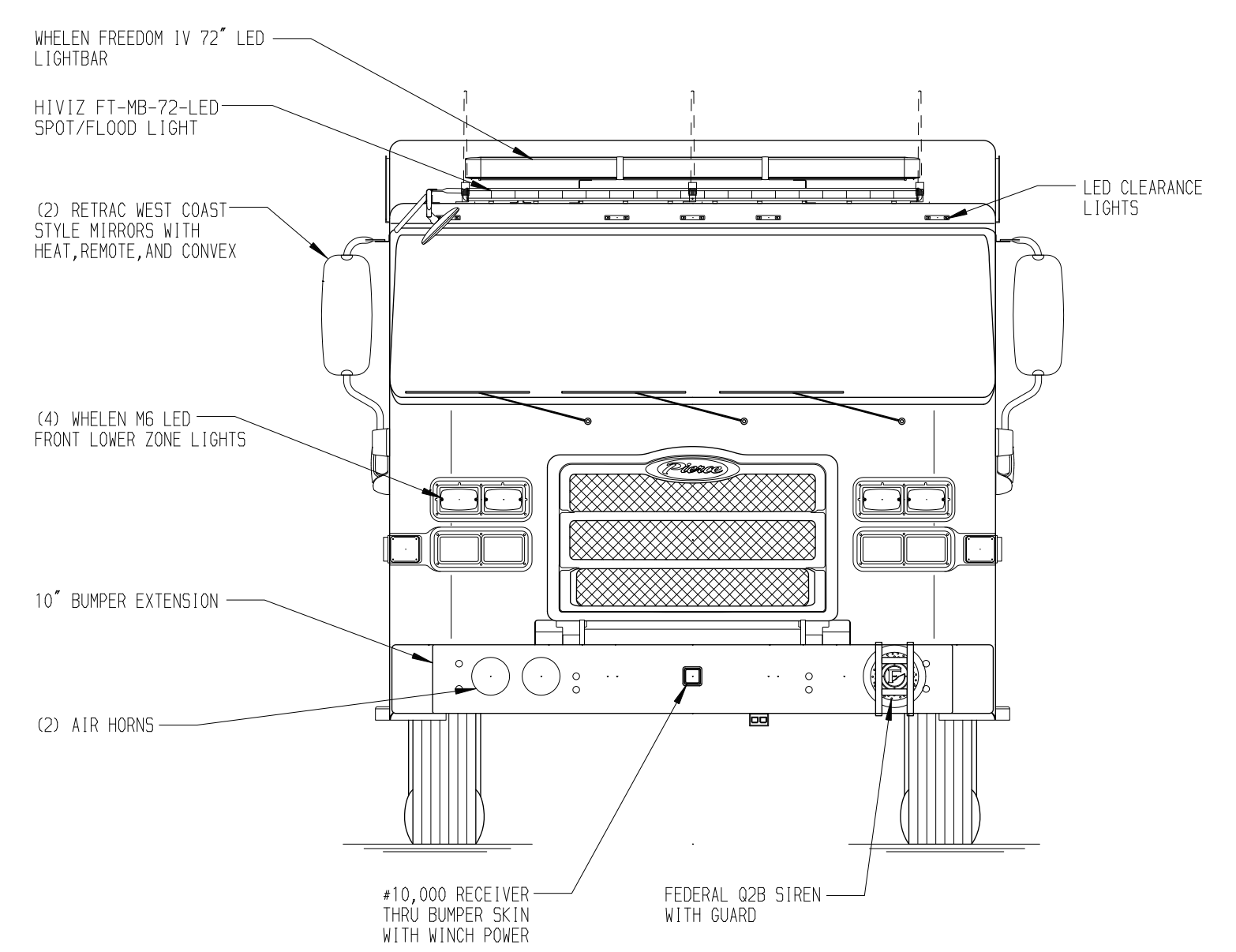
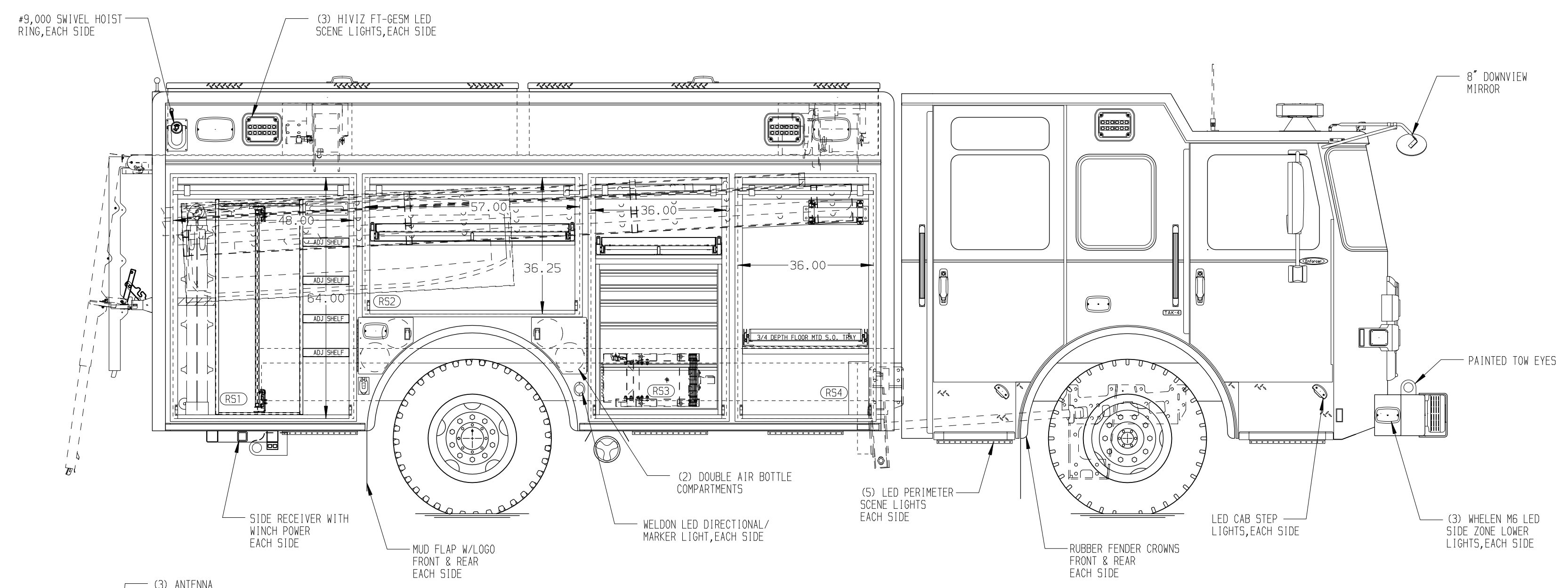
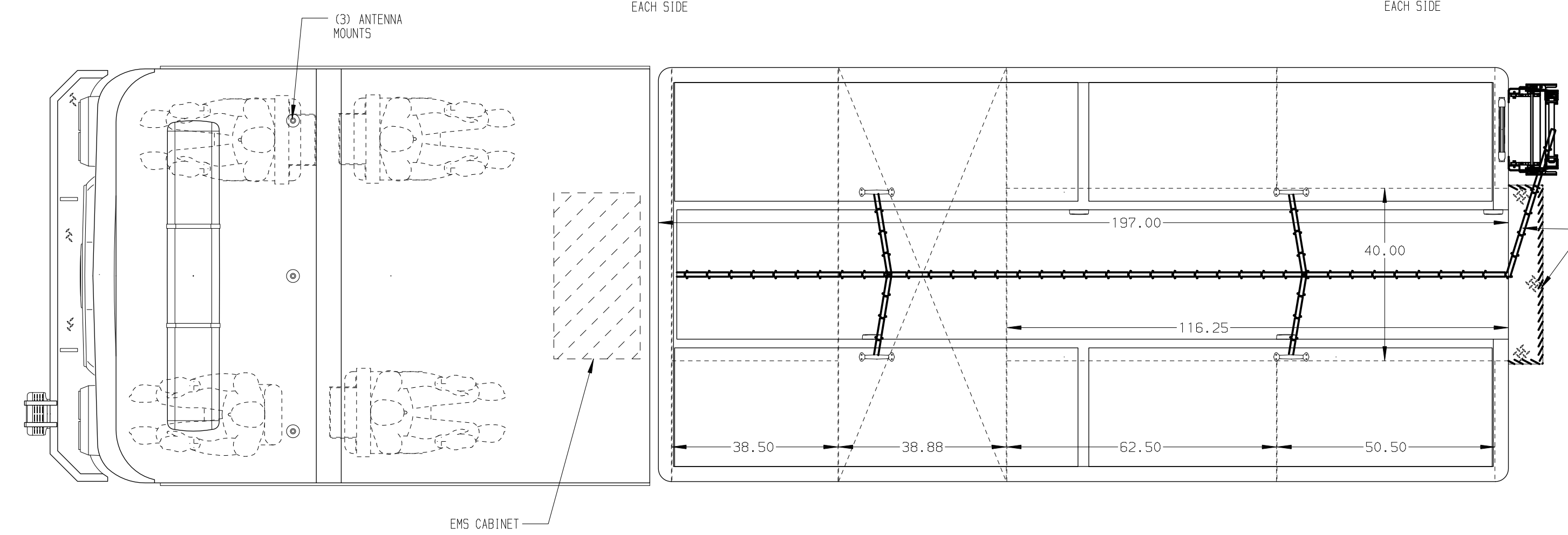


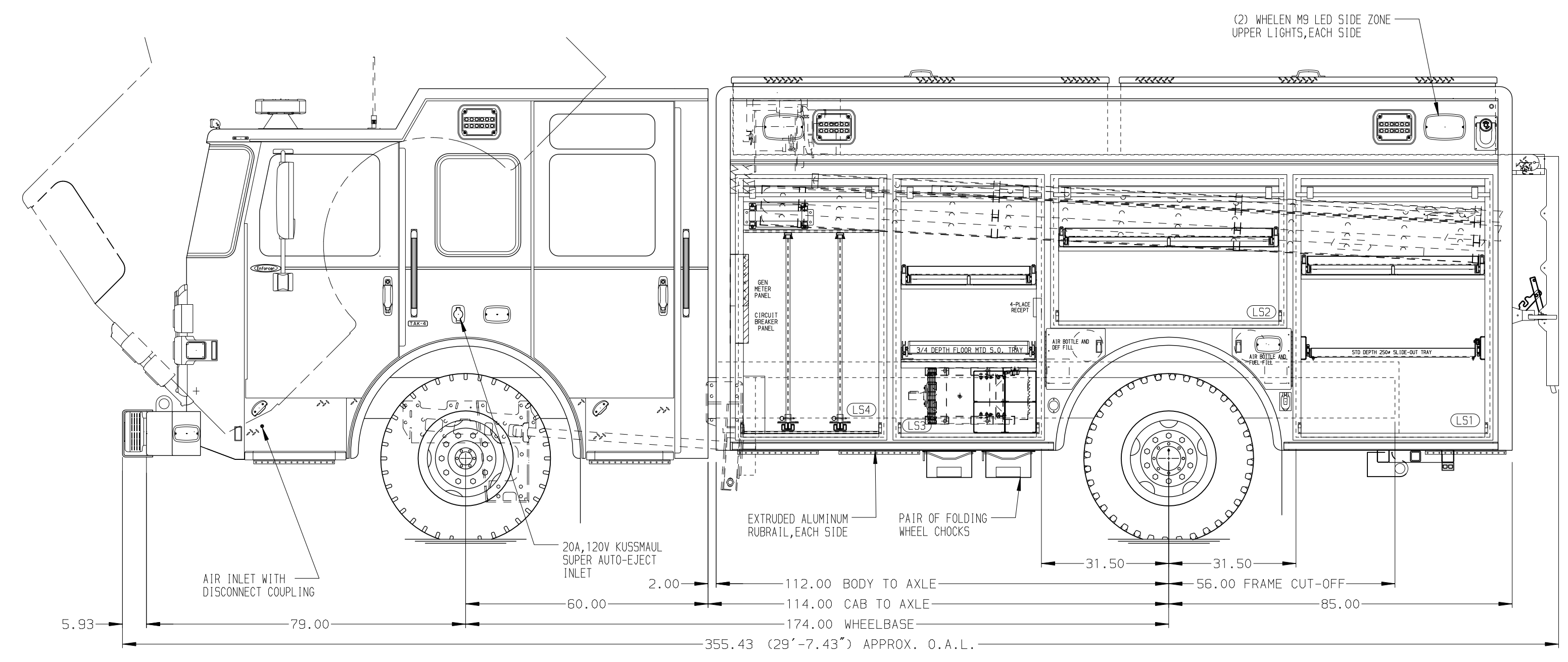
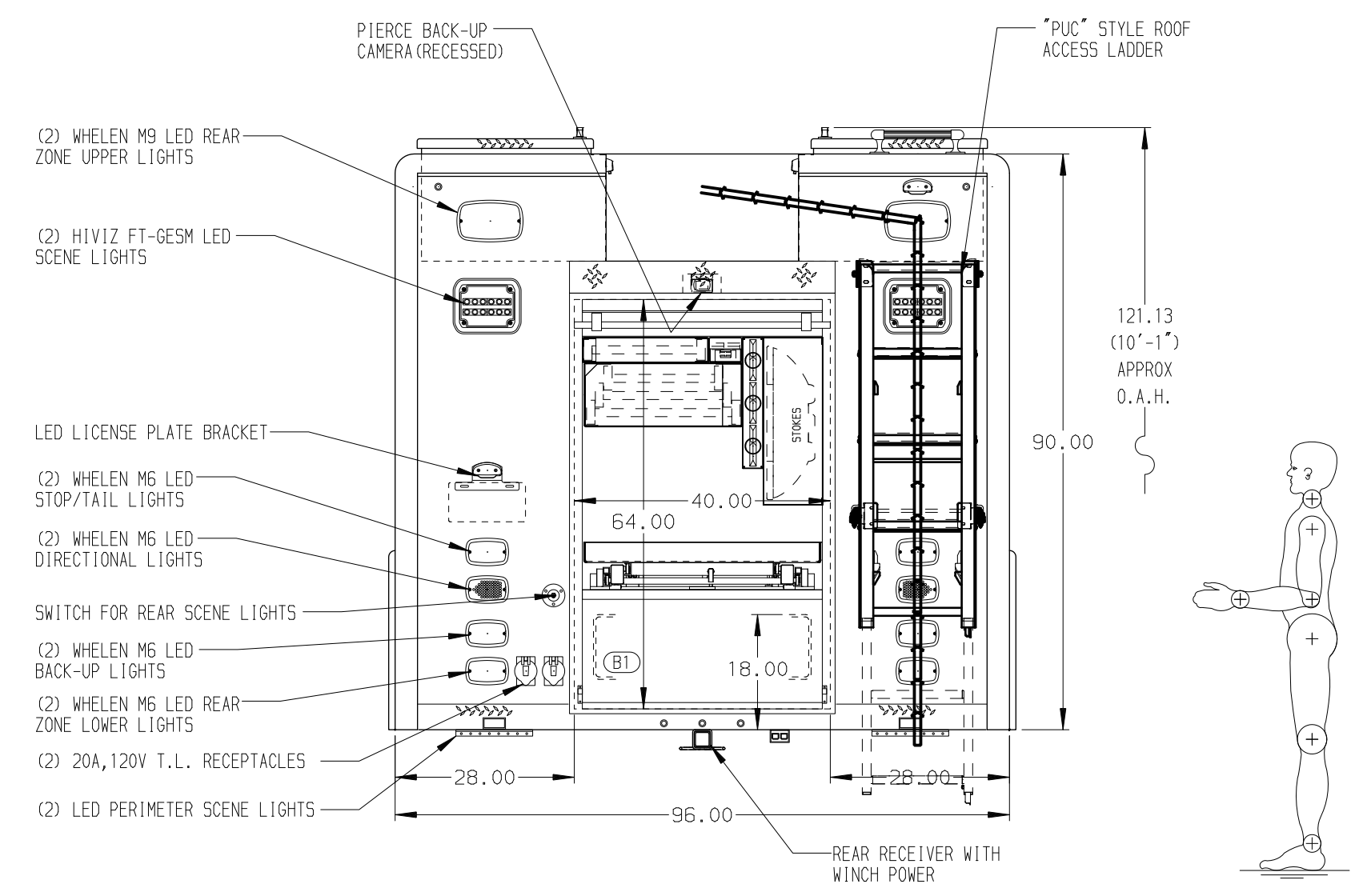
- RIGHT SIDE COMPARTMENTS CONTAIN THE FOLLOWING:**
- COMPARTMENT RS1 CONTAINS:**
- (1) STD DEPTH ADJ SLIDE OUT TOOLBOARD
 - (2) VERTICAL COMPARTMENT DIVIDERS
 - (4) STD DEPTH ADJ SHELVES
 - (1) STRAP FOR LADDER RETENTION
 - (1) TOOL AIR REEL WITH 150' OF HOSE
- COMPARTMENT RS2 CONTAINS:**
- (1) STD DEPTH SLIDEMASTER TILT TRAY
- COMPARTMENT RS3 CONTAINS:**
- (1) 5-DRAWER C-TECH CABINET
 - (1) STD DEPTH SLIDEMASTER TILT TRAY
- COMPARTMENT RS4 CONTAINS:**
- (1) CAB LIFT CONTROLLER
 - (1) HORIZONTAL FLOOR EXTENSION
 - (1) 3/4 DEPTH FLOOR MTD SLIDE OUT TRAY
 - (1) ELECTRIC CORD REEL WITH 150' OF 12/4 BLACK CORD



- REAR COMPARTMENT CONTAINS THE FOLLOWING:**
- COMPARTMENT B1 CONTAINS:**
- (1) HORIZONTAL FLOOR EXTENSION
 - (1) 110\"/>



- LEFT SIDE COMPARTMENTS CONTAIN THE FOLLOWING:**
- COMPARTMENT LS1 CONTAINS:**
- (1) STD DEPTH ADJ SLIDE OUT TRAY
 - (1) STD DEPTH SLIDEMASTER TILT TRAY
- COMPARTMENT LS2 CONTAINS:**
- (1) STD DEPTH SLIDEMASTER TILT TRAY
- COMPARTMENT LS3 CONTAINS:**
- (1) HORIZONTAL FLOOR EXTENSION
 - (1) RACK FOR 4 SCBA BOTTLES
 - (1) 3/4 DEPTH FLOOR MTD SLIDE OUT TRAY
 - (1) STD DEPTH SLIDEMASTER TILT TRAY
 - (1) 15/20A, 120V T.L. RECEPTACLE
- COMPARTMENT LS4 CONTAINS:**
- (1) KUSSMAIL PUMP PLUS 1200 CHARGER
 - (2) STD DEPTH ADJ SLIDE OUT TOOLBOARDS
 - (1) CIRCUIT BREAKER PANEL
 - (1) GENERATOR METER PANEL
 - (1) ELECTRIC CORD REEL WITH 150' OF 12/4 BLACK CORD
 - (1) REAR WALL COMPARTMENT DIVIDER



NOTE
DIMENSIONS SHOWN ARE APPROXIMATE AND ARE SUBJECT TO MINOR DEVIATIONS AS MAY OCCUR OR BE NECESSARY IN CONSTRUCTION. MINOR DETAILS NOT SHOWN.

- NOTES:**
- A ONAN 15kw SINGLE PHASE PTO DRIVEN GENERATOR TO BE LOCATED BETWEEN THE FRAME RAILS.
 - ONSPOT AUTOMATIC TIRE CHAINS
 - POLISHED 5/8 SCUFFPLATES ON CAB AND CREW CAB DOOR JAMBS
 - FLOOR IN CAB AND CREW CAB TO BE ALUMINUM TREADPLATE
 - BATTERY CHARGE INDICATOR LOCATED ON DRIVER'S SEAT RISER
 - 5/8 GUARDS ON ALL BODY ROLL-UP DOORS
 - PULL-STRAPS ON ALL BODY ROLL-UP DOORS
 - PIERCE LED LIGHTS IN ALL BODY AND HATCH COMPARTMENTS

(SIDE ROLL & FRONTAL IMPACT PROTECTION)

CLEAR DOOR WIDTH KEY		REV	DATE	BY	CH	EN6010
AMOR ROLL UP DOORS:	-2 1/4"	04JUN24	DHE	CDK	CHASSIS DATA	TITLE
GORTITE ROLL UP DOORS:	-2 1/2"	12APR24	DHE	CDK	MAKE	FOR
PIERCE DOUBLE LAP DOORS:	-4 1/4"	10APR24	DHE	CDK	PIERCE	DWG NO.
PIERCE LIFT-UP LAP DOORS:	-1 1/2"	10APR24	DHE	CDK	PIERCE	
(EX: 60\"/>						

		JOB NO.	39108
		SCALE	1:24
TITLE HEAVY DUTY RESCUE NON-WALKIN FOR CHARLESTON FIRE DEPARTMENT BID #360		DATE	
		DRAWN BY	DHE
SHEET NO. D		CHECKED BY	CDK
		DATE	03JAN24
AUSTIN EDDY		SHEET SIZE	
		DATE	