

122.00
(10'-2")
APPROX
O.A.H.

RUB RAIL, BLACK
PLASTIC W/ .50" SPACER
BODY SIDES, LIGHT CUT OUTS

RUBBER FENDER CROWNS

PIERCE LOGO MUD FLAPS,
FRONT AND REAR

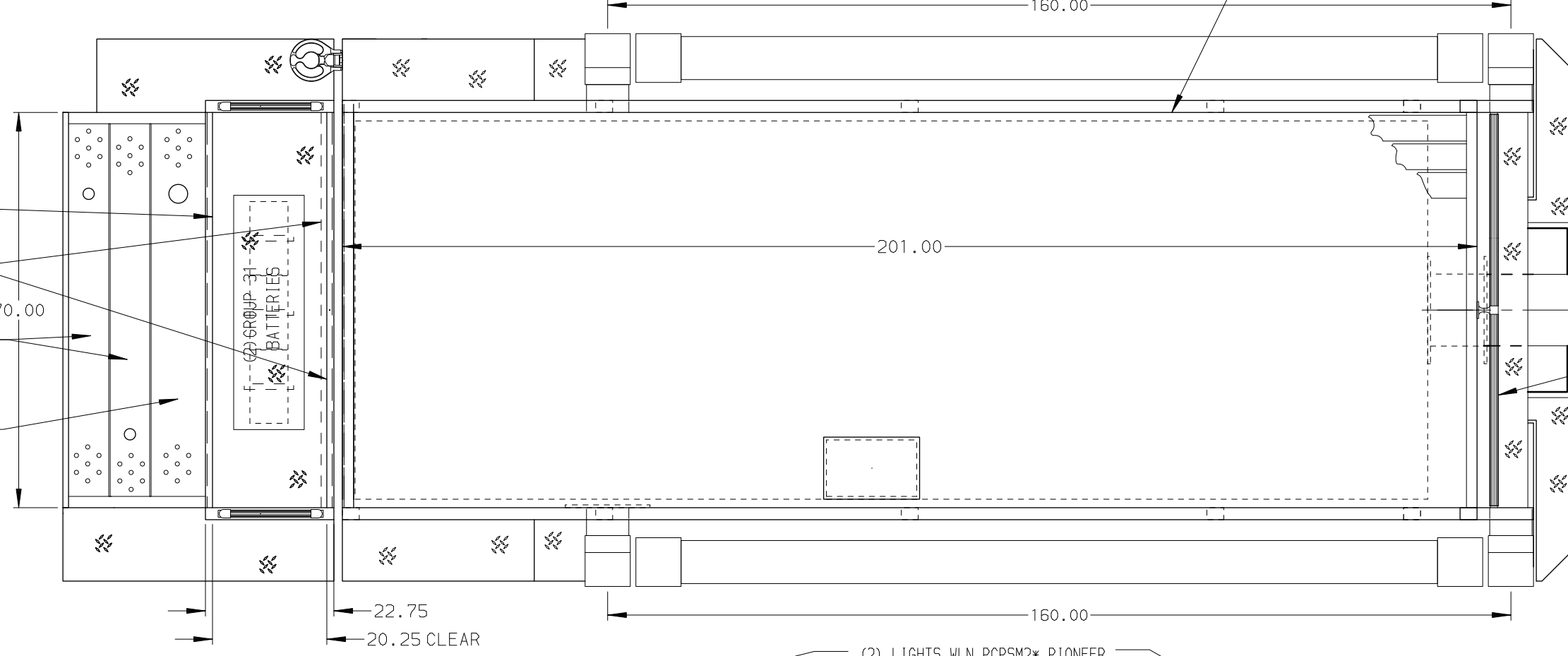
COMPT, AIR PAC, BTWN TANDEMS, DRY SIDE,
E-TANKER, VERTICAL HINGE BRUSHED DOOR
SOUTHCO C2 CHROME RAISED LATCH

(1) AIR BOTTLE COMPT, SINGLE,
ROUND, FENDER PANEL, BRUSHED DOOR,
SOUTHCO C2 CHROME RAISED LATCH,
EACH SIDE

STEP, PKG, STD POLISHED STEPS,
W/4-WAY TRIM

LIGHTS, SIDE ZONE LOWER
WHELEN M6x, 4 LTS

10" BUMPER EXTENSION
(2) CHROME TOW HOOKS



BATTERIES, RELOCATED

(2) LIGHTS, W/LK SURF, AMOR
AY-LB-12MM, LED CARGO AREA

CROSSLAYS, S/NGL SHEET, UNPAINTED,
FOR (2) 1.50" STD CAP,
FOR 200" OF 1.75" D.J.
HOSE WITH 2.00" PIPING

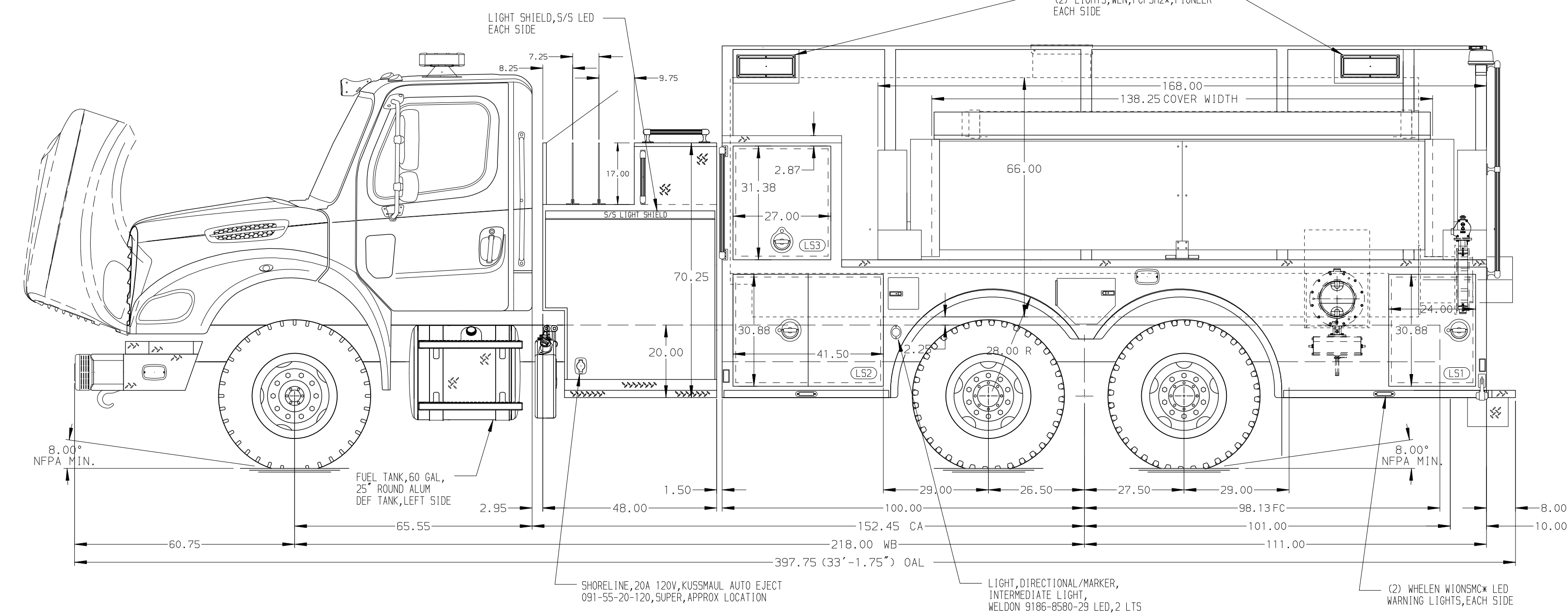
CROSSLAYS, S/NGL SHEET, UNPAINTED,
FOR (1) 2.50" STD CAP,
FOR 200" OF 2.50" D.J.
HOSE WITH 2.50" PIPING

TAILBOARD, T-SHAPED, 18" & 8" DEEP
ANGLED CORNERS

TRAY, HOSE, TAILBOARD, FREE FLOATING
W/CAPACITY FEATURE, 3 VELCRO STRAPS
FOR 50' OF 5" HOSE

HANDRAIL, REAR, BELOW HOSE BED, TANKER

HOSEBED CAPACITIES
① 400' OF 4.00" D.J. POLYESTER HOSE
② 400' OF 3.00" D.J. POLYESTER HOSE



LIGHT SHIELD, 5/5 LED
EACH SIDE

(2) LIGHTS, W/LN, PCPSM2x, PIONEER
EACH SIDE

FUEL TANK, 60 GAL,
25" ROUND ALUM
DEF TANK, LEFT SIDE

LIGHT, DIRECTIONAL/MARKER,
INTERMEDIATE LIGHT,
WELDON 9186-8580-29, LED, 2 LTS

(2) WHELEN W10NSMx LED
WARNING LIGHTS, EACH SIDE

(2) WHELEN L31HRFN LED BEACON,
RED LED WARNING LIGHTS
REAR WARNING BRACKETS,
STD MOUNT, 5/5, TANKER

TROUGH, HSH, TOP OF ZICO
LADDER RACK, (1) EACH SIDE
FOR 6" X 10" KODIECK HSH
PROVIDED BY FIRE DEPARTMENT

LIGHTS, W/LN, PCPSM2x, PIONEER

LIGHT, TRAFFIC DIRECTING,
W/LN D7ABA, 30.36" LONG LED,
PRK BRK INT
RECESSED WITH 5/5 TRIM

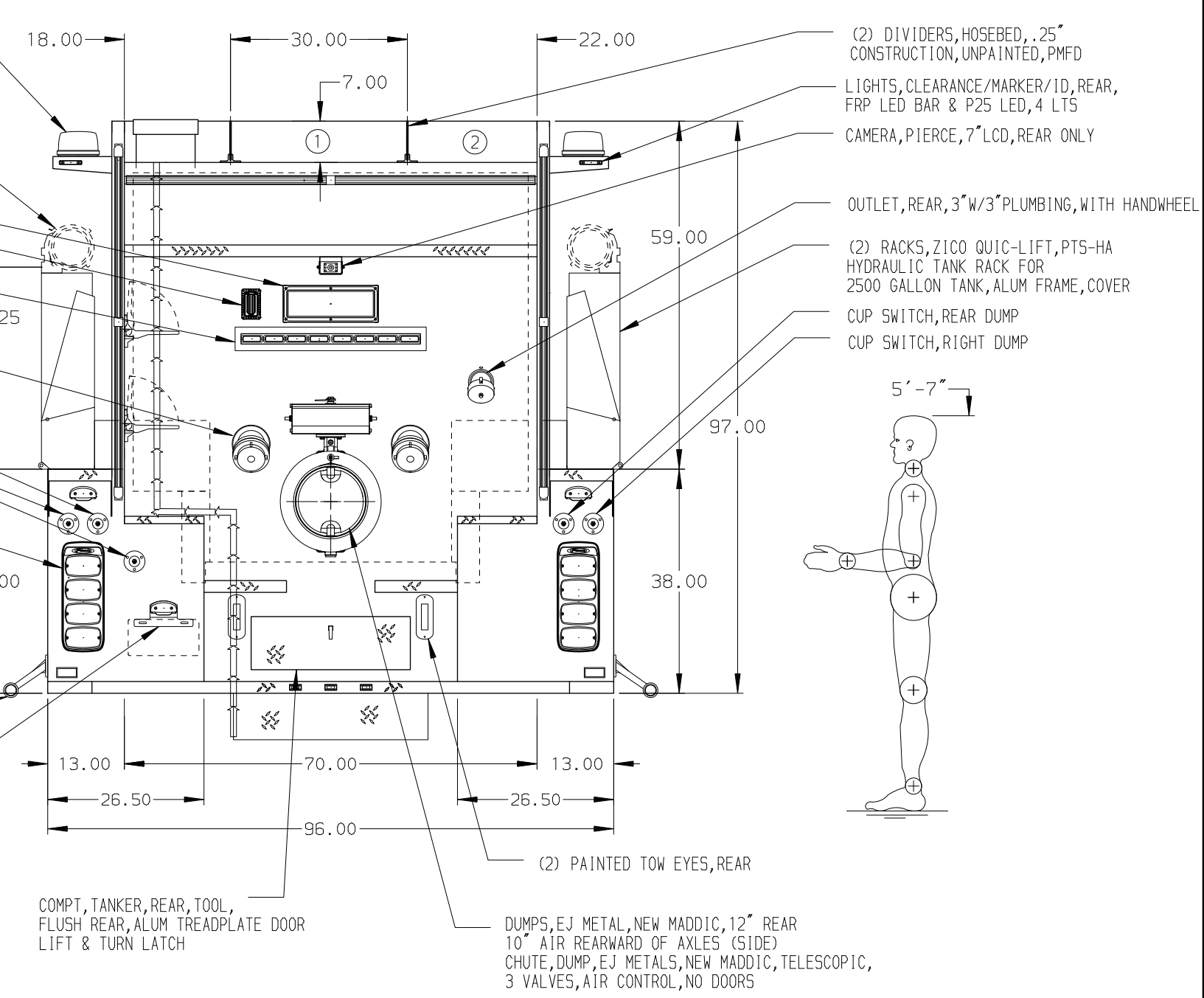
(2) TANK FILL, DIRECT, REAR,
4.0" FIREMAN'S FRIEND,
FF4040, SEMI-AUTO

CUP SWITCH, REAR DUMP
CUP SWITCH, LEFT DUMP

CUP SWITCH, HOSE BED LIGHTS

(2) WHELEN M6x LED
REAR ZONE LOWER LIGHTS
(2) WHELEN MSBTx LED
STOP/TAIL LIGHTS
(2) WHELEN MSTx LED
DIRECTIONAL LIGHTS
(2) WHELEN M6BOW LED
BACK-UP LIGHTS
LIGHTS MOUNTED IN WHELEN
M6 "PIERCE" BEZELS

(2) LIGHTS, MARKER, BRITAX
RUBBER ARM, MODEL L427, 203.L12
RED/AMBER
BRACKET, LICENSE PLATE &
LIGHT, P25 LED



(2) DIVIDERS, HOSEBED, .25"
CONSTRUCTION, UNPAINTED, PMFD

LIGHTS, CLEARANCE/MARKER/ID, REAR,
FRP LED BAR & P25 LED, 4 LTS

CAMERA, PIERCE, 7" LCD, REAR ONLY

OUTLET, REAR, 3" W/3" PLUMBING, WITH HANDWHEEL

(2) RACKS, ZICO QUIT-LIFT, PTS-HA
HYDRAULIC TANK RACK FOR
2500 GALLON TANK, ALUM FRAME, COVER

CUP SWITCH, REAR DUMP
CUP SWITCH, RIGHT DUMP

5'-7"

COMPT, TANKER, REAR, TOOL,
FLUSH REAR, ALUM TREADPLATE DOOR
LIFT & TURN LATCH

DUMPS, EJ METAL, NEW MADDIC, 12" REAR
10" AIR REARWARD OF AXLES (SIDE)
CHUTE, DUMP, EJ METALS, NEW MADDIC, TELESCOPIC,
3 VALVES, AIR CONTROL, NO DOORS

ALUMINUM BODY

TARGET O.A.L. 398"

MAXIMUM O.A.H. 122"

NOTE
DIMENSIONS SHOWN ARE APPROXIMATE
AND ARE SUBJECT TO MINOR DEVIATIONS
AS MAY OCCUR OR BE NECESSARY IN
CONSTRUCTION.
MINOR DETAILS NOT SHOWN.

REV.	DATE	BY	CHK'D
07MAR24		VHO	CCS
03JAN24		RHU	CCS
15NOV23		RWR	AJA

CHASSIS DATA		JOB NO. 39060	
TITLE	1250-D-3000P, 211 FULL HT FT DS & PS 48" SIDE CONTROL, (2) 1.5" & (1) 2.5" CROSSLAYS	DATE	SCALE 1:24
FOR	PRINCE WILLIAM COUNTY VIRGINIA PRINCE WILLIAM, VIRGINIA	29SEP23	DRAWN BY JLA
DRWG. NO.	39060AD-SH1	02OCT23	CHK'D BY AJA
		SHEET NO. 1 OF 2	SHEET SIZE D