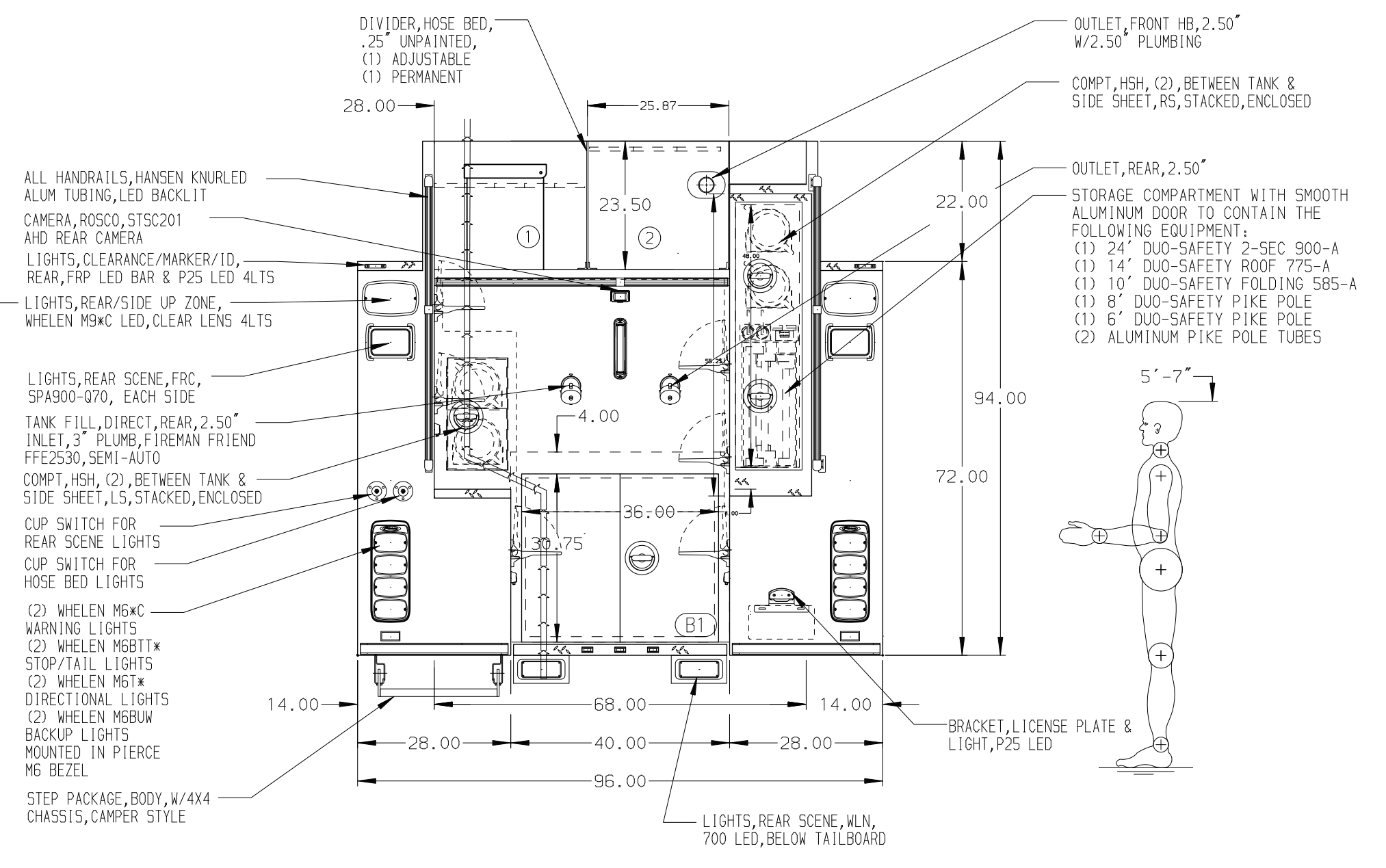
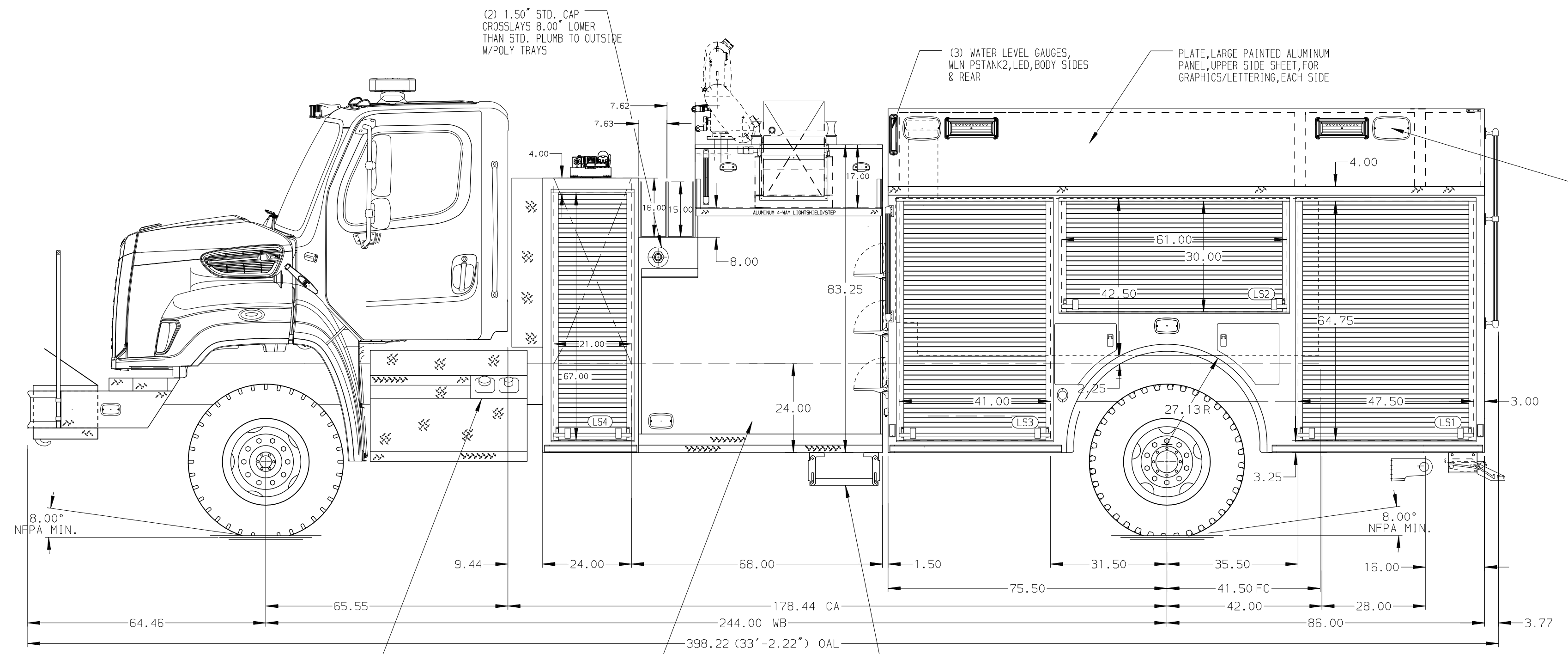


HOSEBED CAPACITIES

① 1000' OF 3.00" D.J. POLY HOSE

② 1000' OF 5.00" D.J. POLY HOSE



ALUMINUM BODY

NOTE
DIMENSIONS SHOWN ARE APPROXIMATE AND ARE SUBJECT TO MINOR DEVIATIONS AS MAY OCCUR OR BE NECESSARY IN CONSTRUCTION. MINOR DETAILS NOT SHOWN.

REV	DATE	BY	CH	MODEL	PLUS 4X4
20MAY24	RHU	NAS	CHASSIS DATA		
21FEB24	RHU	NAS	MAKE		
21DEC23	RWR	NAS	FL		
04OCT23	RWR	AJA			

<p>Pierce MANUFACTURING INC. BRADENTON, FLORIDA</p>	JOB NO.	39051			
	SCALE	DATE			
TITLE	1500-D-750P, 161"BDY, FULL HEIGHT FRONT & REAR FDLR 68"SIDE CONTROL, (2)1.5"CROSSLAYS, 3.00" DELUGE	DRAWN BY	RWR	21AUG23	
FOR	BLOWING ROCK FIRE DEPARTMENT BLOWING ROCK, NC	CHECKED BY	AJA	24AUG23	
DWG NO.	39051AD	SHEET SIZE	D	SHEET NO.	1 OF 1