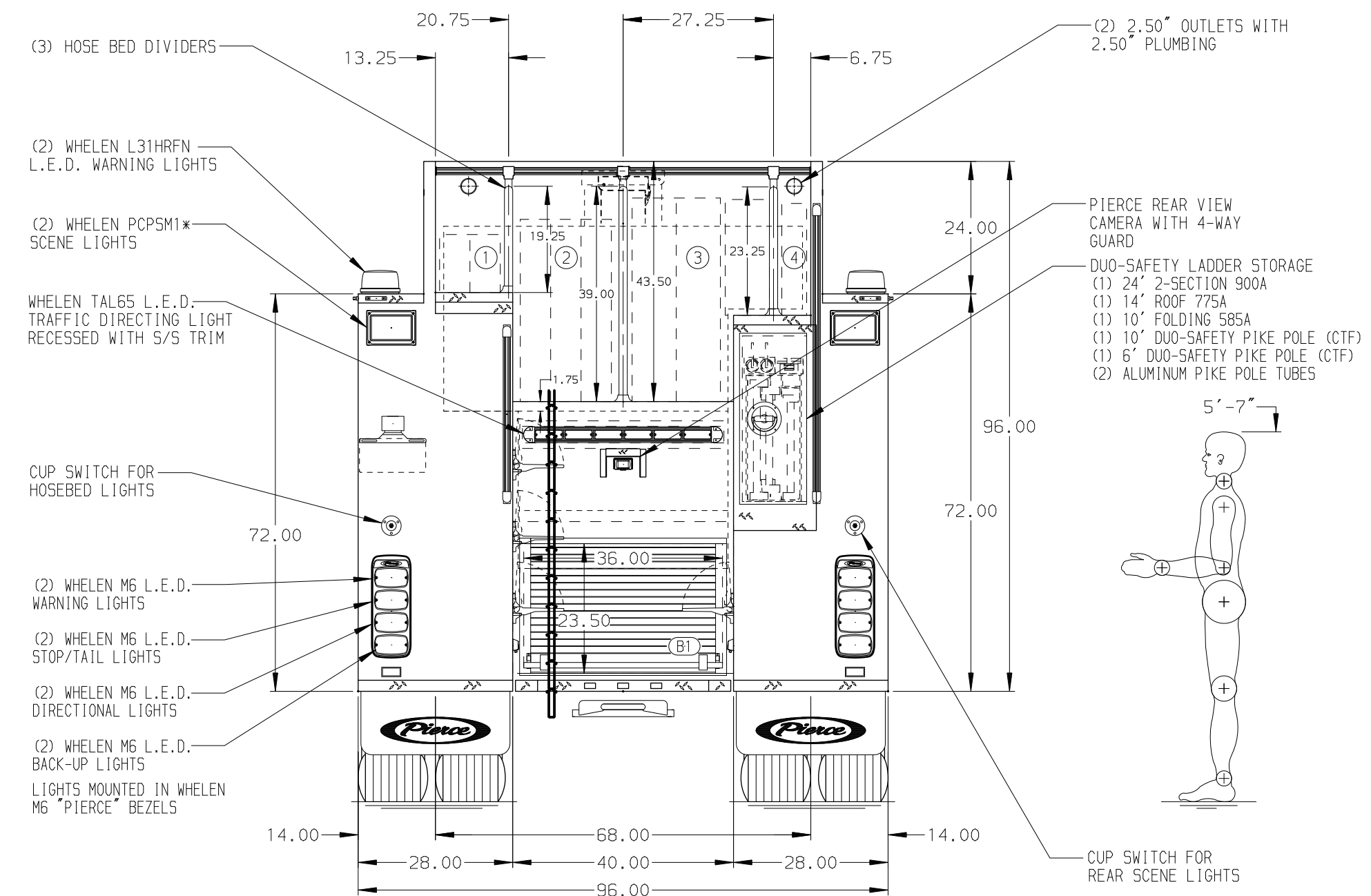
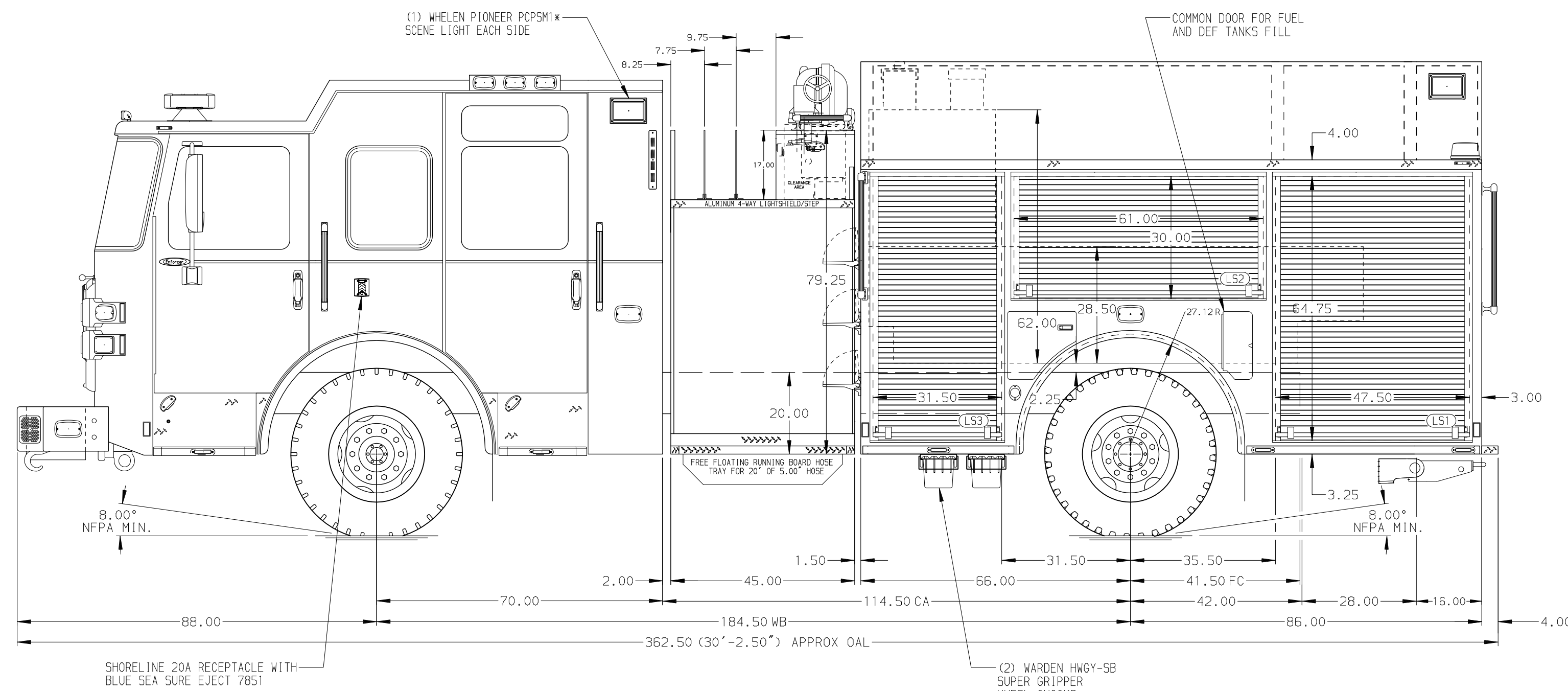


- HOSEBED CAPACITIES**
- ① 200' OF 3.00" D.J. POLY HOSE
 - ② 1000' OF 3.00" D.J. POLY HOSE
 - ③ 1000' OF 5.00" D.J. POLY HOSE
 - ④ 200' OF 2.50" D.J. POLY HOSE



ALUMINUM BODY MAXIMUM O.A.L. 367" MAXIMUM O.A.H. 120"

NOTE
DIMENSIONS SHOWN ARE APPROXIMATE AND ARE SUBJECT TO MINOR DEVIATIONS AS MAY OCCUR OR BE NECESSARY IN CONSTRUCTION. MINOR DETAILS NOT SHOWN.

- 1. AIR INLET WITH DISCONNECT COUPLING IN THE DRIVER SIDE STEPWELL FORWARD
- 2. BATTERY CHARGER LOCATED PER ORDER
- 3. (3) ADJUSTABLE SHELVES LOCATED PER ORDER
- 4. (2) FLOOR MOUNTED SLIDE-OUT TRAY LOCATED PER ORDER
- 5. ONE SWING-OUT TOOLBOARD LOCATED PER SHOP ORDER

REV	DATE	BY	CH	ENFORCER
25SEP24	SDR	ZWE		CHASSIS DATA
12APR24	SDR	ZWE		MAKE
05APR24	SDR	ZWE		PIERCE
08FEB24	SDR	SJS		MODEL
24JAN24	SDR	SJS		

	MANUFACTURING INC.		JOB NO.	39033
			SCALE	DATE
		TITLE	1750-D-670P, 650G WATER W/ 20G FOAM, 152" BODY LDRS BTW TANK & SIDE SHT, (3) CROSSLAYS, 3" DELUGE	DRAWN BY
		FOR	CITY OF FAIRBURN FAIRBURN, GEORGIA	SDR
		DWG NO.	39033AD	CHECKED BY
				SJS
				SHEET SIZE
				SHEET NO.
				1 OF 1