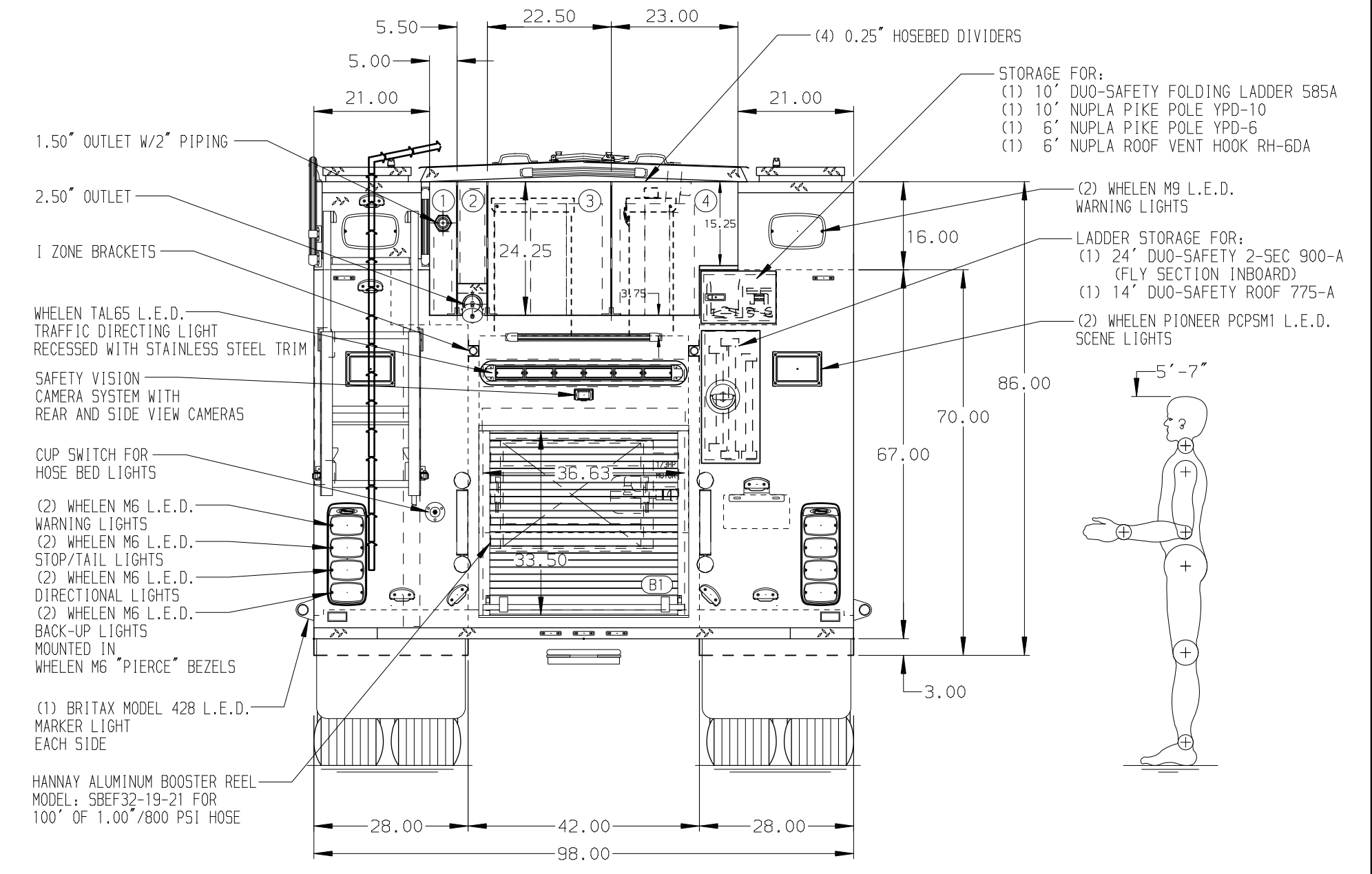
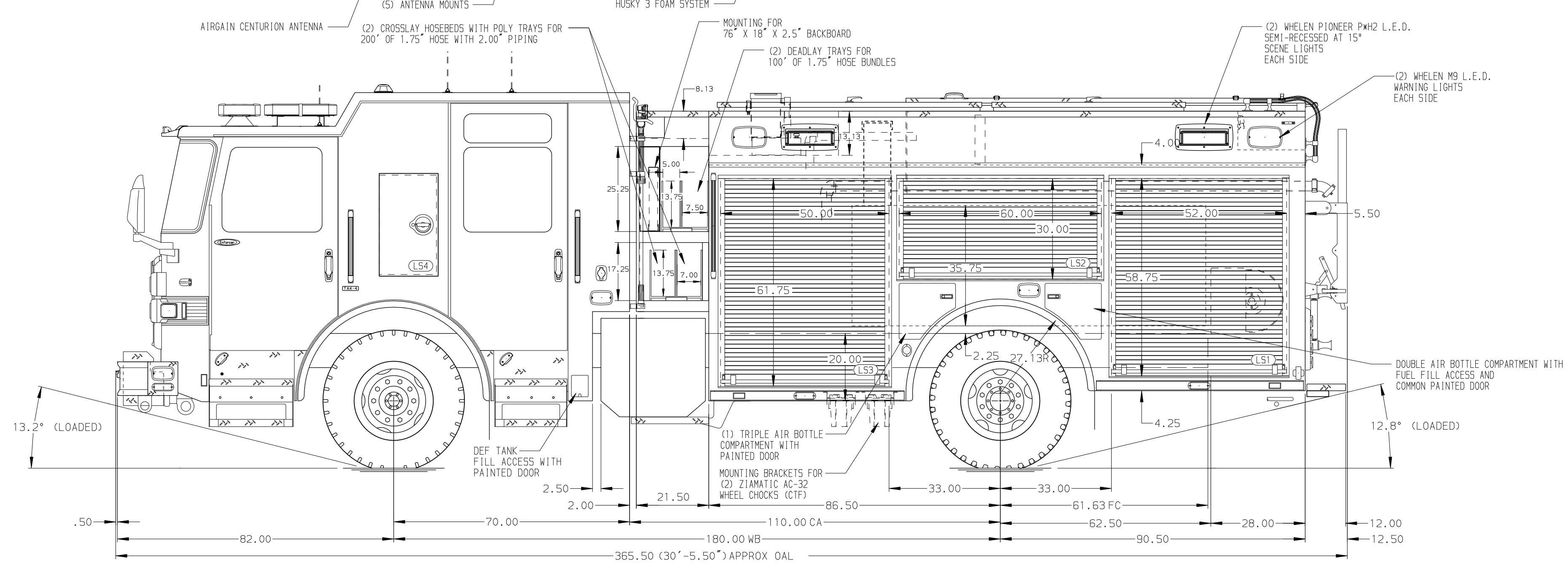
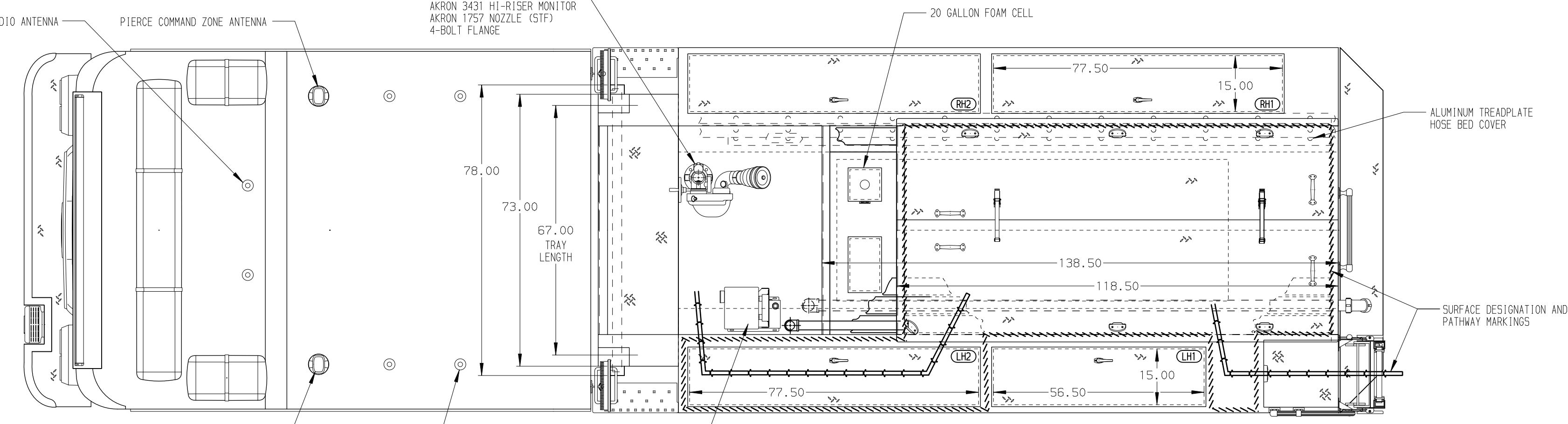


- HOSEBED CAPACITIES**
- ① - 200' OF 1.75" DJP HOSE
 - ② - 200' OF 2.50" DJP HOSE
 - ③ - 700' OF 4.00" DJP HOSE
 - ④ - 700' OF 2.50" DJP HOSE



ALUMINUM BODY

MAXIMUM O.A.H. 116.00"

NOTE
DIMENSIONS SHOWN ARE APPROXIMATE AND ARE SUBJECT TO MINOR DEVIATIONS AS MAY OCCUR OR BE NECESSARY IN CONSTRUCTION. MINOR DETAILS NOT SHOWN.

1. AIR INLET WITH DISCONNECT COUPLING LOCATED IN DRIVER'S SIDE STEPPWELL
2. AIR OUTLET WITH SHUT OFF VALVE LOCATED AT DRIVER'S SIDE PUMP PANEL
3. BATTERY CHARGER LOCATED IN BODY COMPARTMENT PER ORDER
4. SHORELINE RECEPTACLE WITH KUSSMAUL SUPER AUTO-EJECT LOCATED ON DRIVER'S SIDE CREW CAB
5. DUAL L.E.D. LIGHT STRIPS LOCATED BELOW HOSE BED LOCATED PER ORDER
6. L.E.D. LIGHT STRIPS LOCATED IN THE CARGO AREA PER ORDER
7. SEVEN DUAL L.E.D. LIGHT STRIPS AT EACH SIDE COMPARTMENT DOOR LOCATED PER ORDER
8. DUAL L.E.D. LIGHT STRIPS IN HATCH COMPARTMENTS LOCATED PER ORDER
9. FULL WIDTH/DEPTH ADJUSTABLE SHELVES LOCATED IN COMPARTMENTS PER ORDER
10. ADJUSTABLE SLIDE-OUT TRAYS LOCATED IN COMPARTMENTS PER ORDER
11. FLOOR MOUNTED SLIDE-OUT TRAYS LOCATED IN COMPARTMENTS PER ORDER
12. ALUMINUM SWING-OUT TOOLBOARDS LOCATED IN COMPARTMENTS PER ORDER
13. PARTITION BETWEEN COMPARTMENTS COMPARTMENTS L51/B1 & R51/B1
14. THREE 20A 120V 6-PLACE RECEPTACLE STRIPS LOCATED IN COMPARTMENTS PER ORDER

REV	DATE	BY	CH	ENFORCER
24JUL24	SAM	DTJ		CHASSIS DATA
07JUN24	SAM	DTJ		PIERCE
27OCT23	SAM	WKL		MODEL

		JOB NO.	39027
		SCALE	DATE
TITLE 1500-D-520P, 500G WATER W/20G FOAM, 177" RESCUE PUC (3) CROSSLAYS, LADDERS THRU BODY, DELUGE	FOR LAGUNA BEACH FIRE DEPARTMENT LAGUNA BEACH, CALIFORNIA	DRAWN BY	SAM
		CHECKED BY	WKL
DWG NO. 39027AD	MODEL 	SHEET SIZE	SHEET NO.
		D	1 OF 1