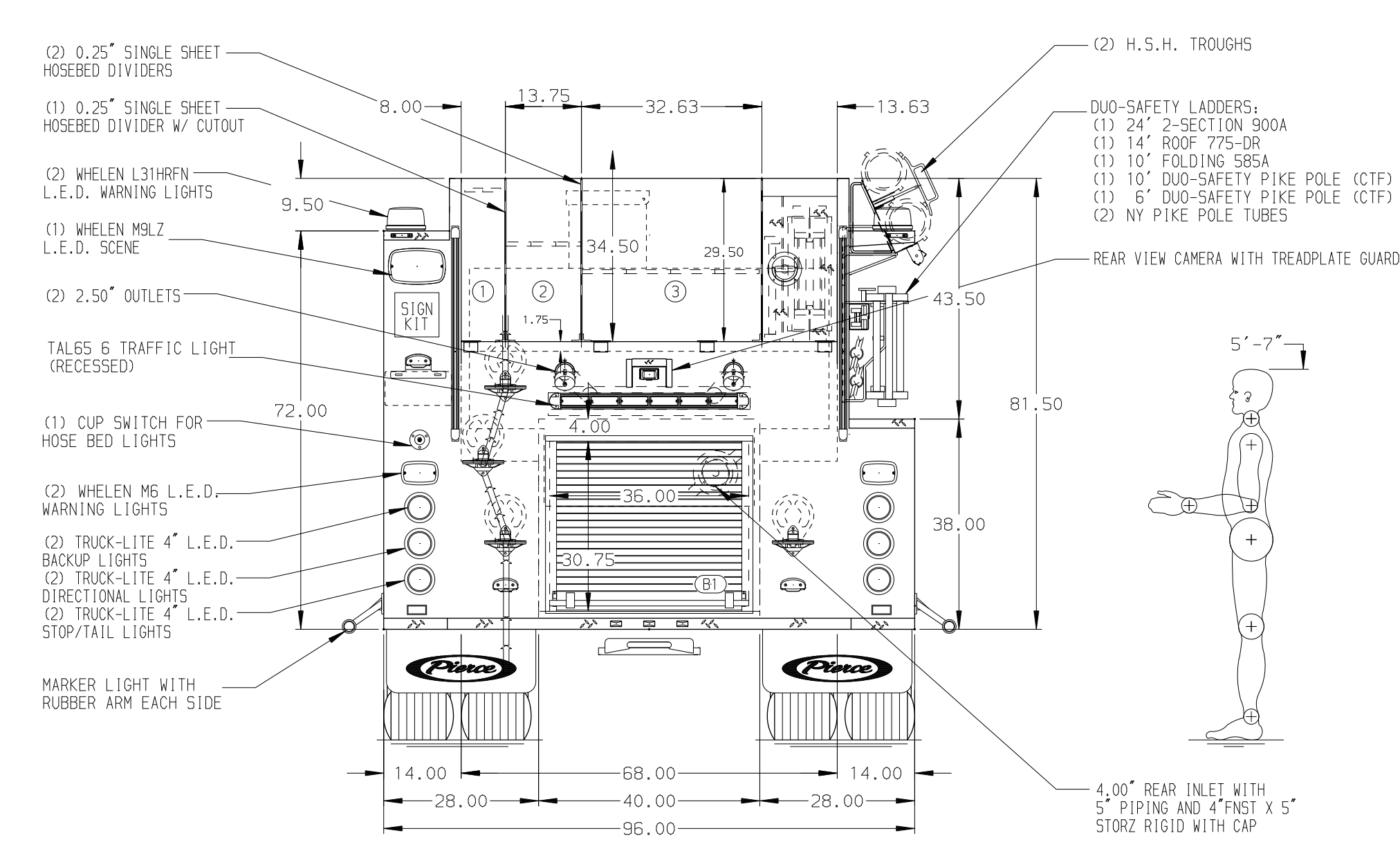
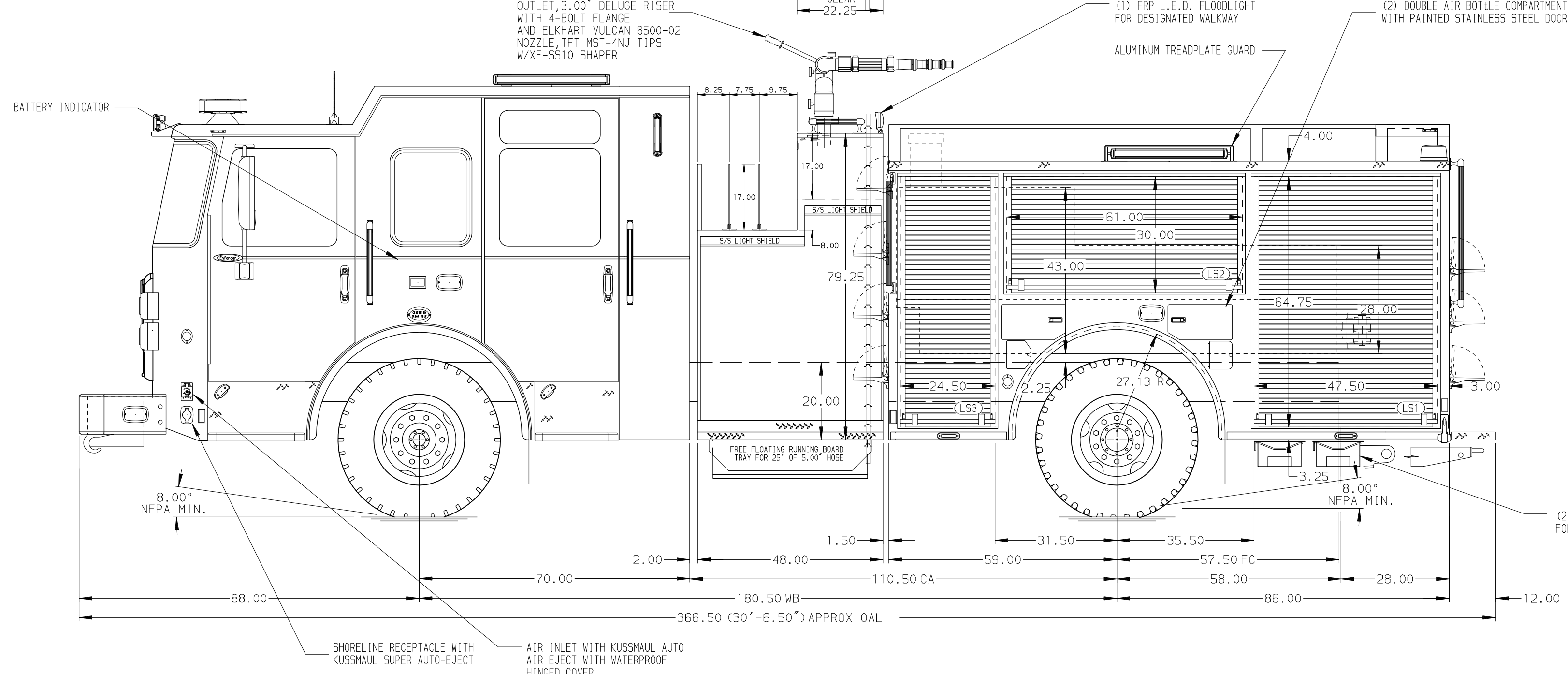


- HOSEBED CAPACITIES
- ① - 600' OF 1.75\"/>



ALUMINUM BODY

REF: JOB# 41190

**NOTE**  
DIMENSIONS SHOWN ARE APPROXIMATE AND ARE SUBJECT TO MINOR DEVIATIONS AS MAY OCCUR OR BE NECESSARY IN CONSTRUCTION. MINOR DETAILS NOT SHOWN.

1. BATTERY CHARGER LOCATED BEHIND DRIVER'S SEAT
2. SINGLE FILL POINT LUBE SYSTEM LOCATED PER ORDER
3. DUAL L.E.D. LIGHT STRIPS LOCATED IN HOSE BED
4. DRIP PAN GUARD FOR ROLL-UP DOOR LOCATED PER ORDER
5. PULL STRAP WITH SPECIAL LENGTH ON DOOR LOCATED PER ORDER
6. AIR BOTTLE HOLDER IN COMPARTMENT L52
7. LITTLE GIANT REVOLUTION I.E. 12017-MODEL 17 LADDER LOCATED IN HOSE BED
8. CUSTOM DUO-SAFETY 5-8' 775A ROOF LADDER LOCATED IN HOSE BED

REV	DATE	BY	CH	ENFORCER
1	12DEC24	JJB	SJS	CHASSIS DATA
2	21OCT24	JJB	DTJ	MAKE
3	07OCT24	JJB	DTJ	PIERCE
4	27AUG24	JJB	DTJ	MODEL
5	10JUL24	JJB	EGO	

		JOB NO.	39011
		SCALE	DATE
TITLE 1500 GPM, 750G WATER TANK 145" 2G PUMPER, HARD WIRED FOR GREENFIELD FIRE DEPARTMENT GREENFIELD, WI	DRAWN BY	JJB	21JUN24
	CHECKED BY	EGO	24JUN24
DWG NO.	39011AD		SHEET NO.
			1 OF 1