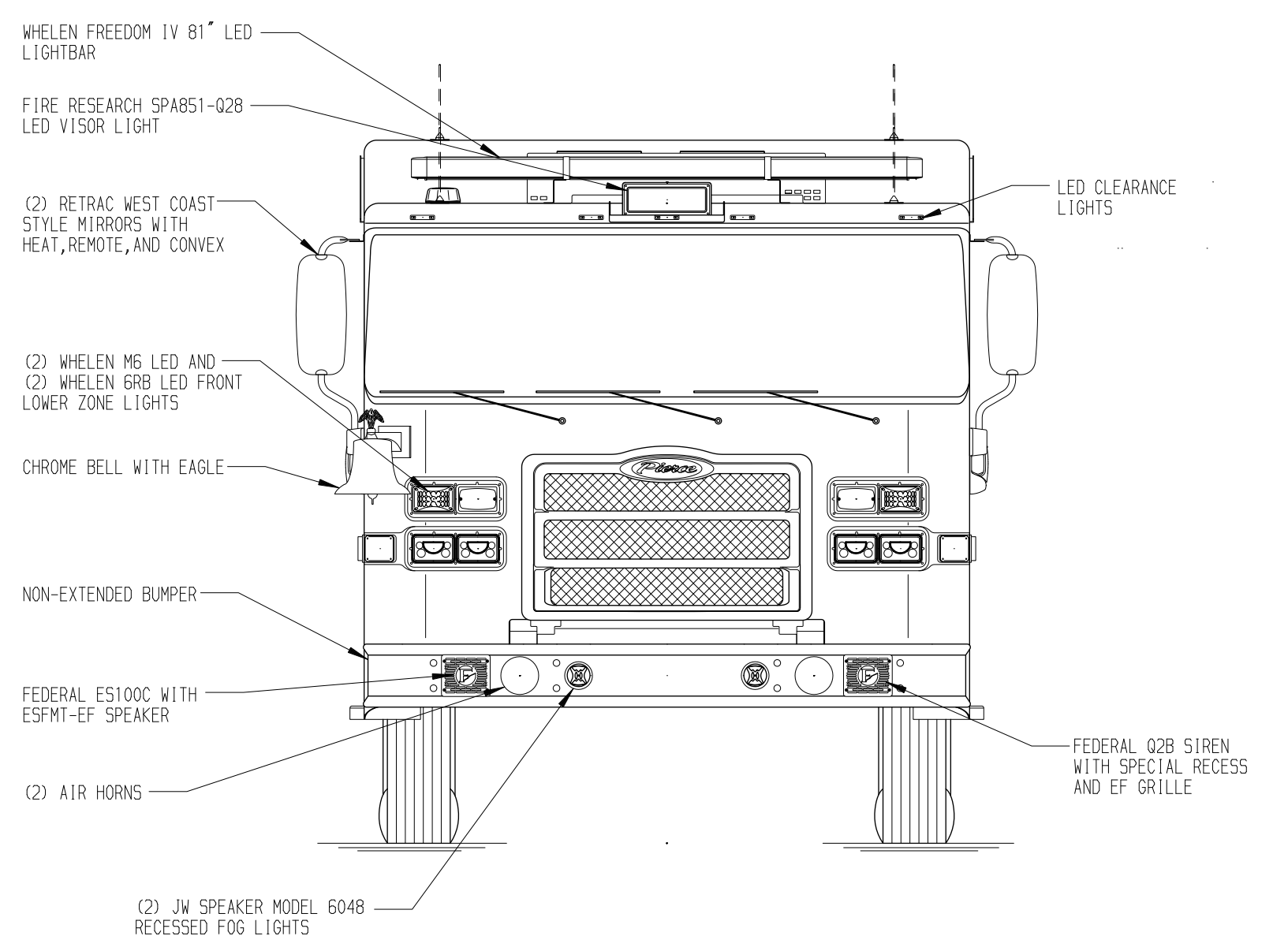
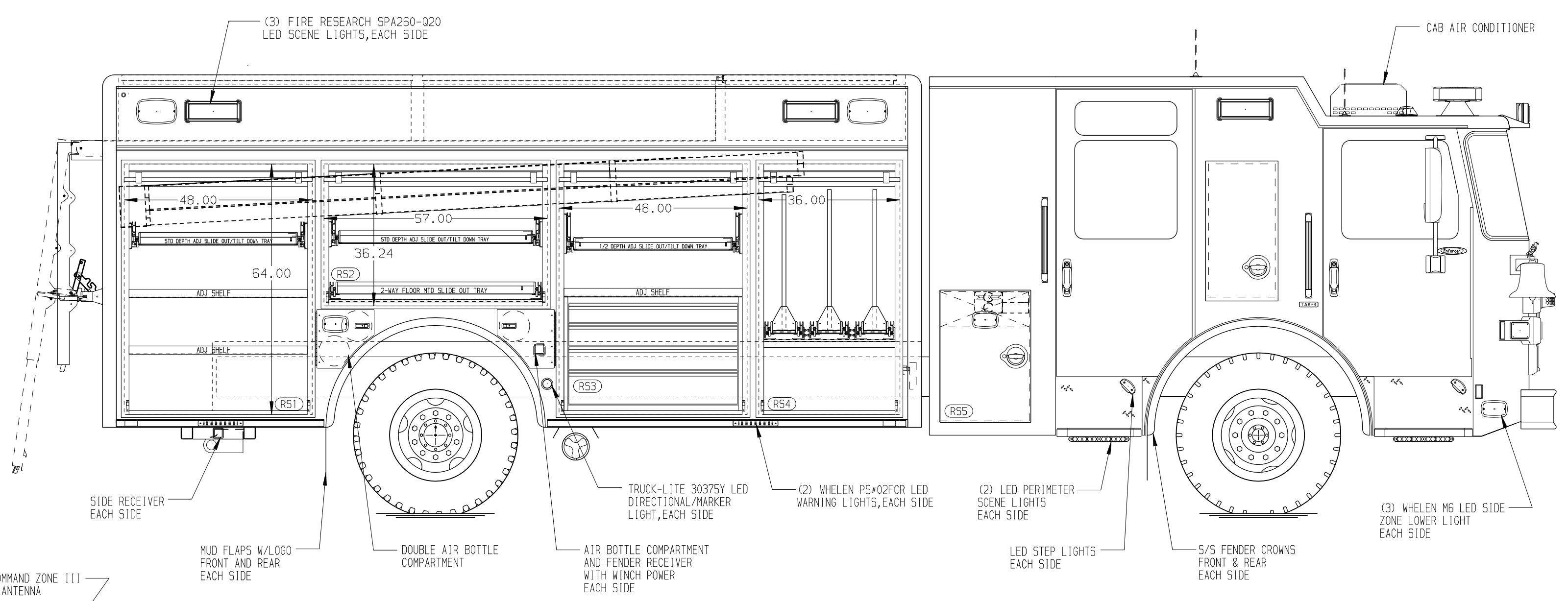
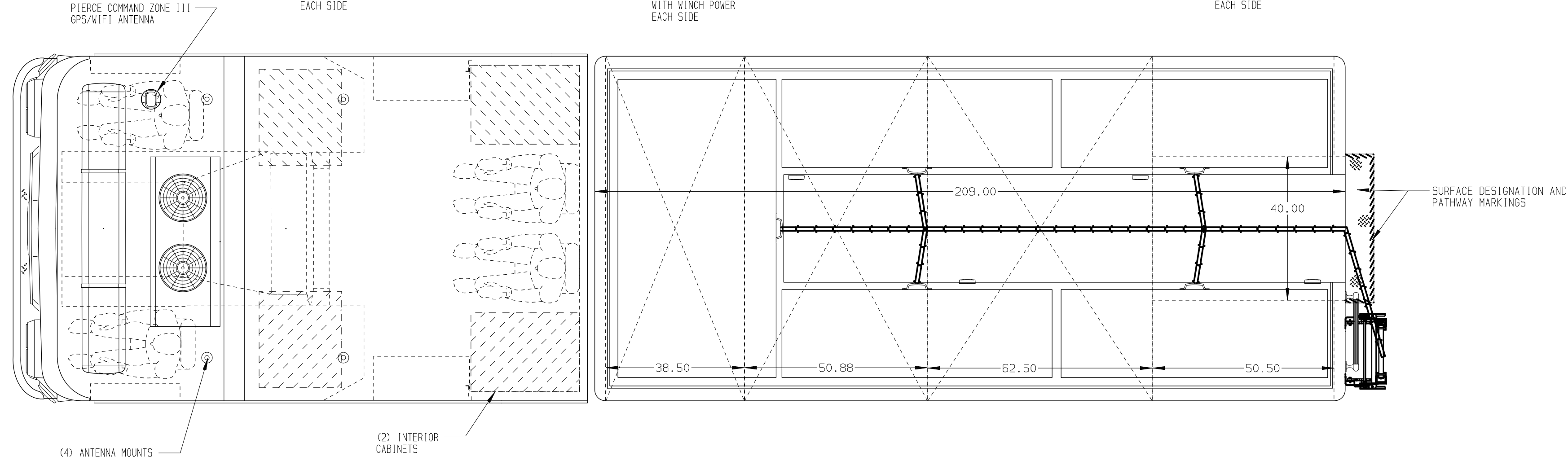


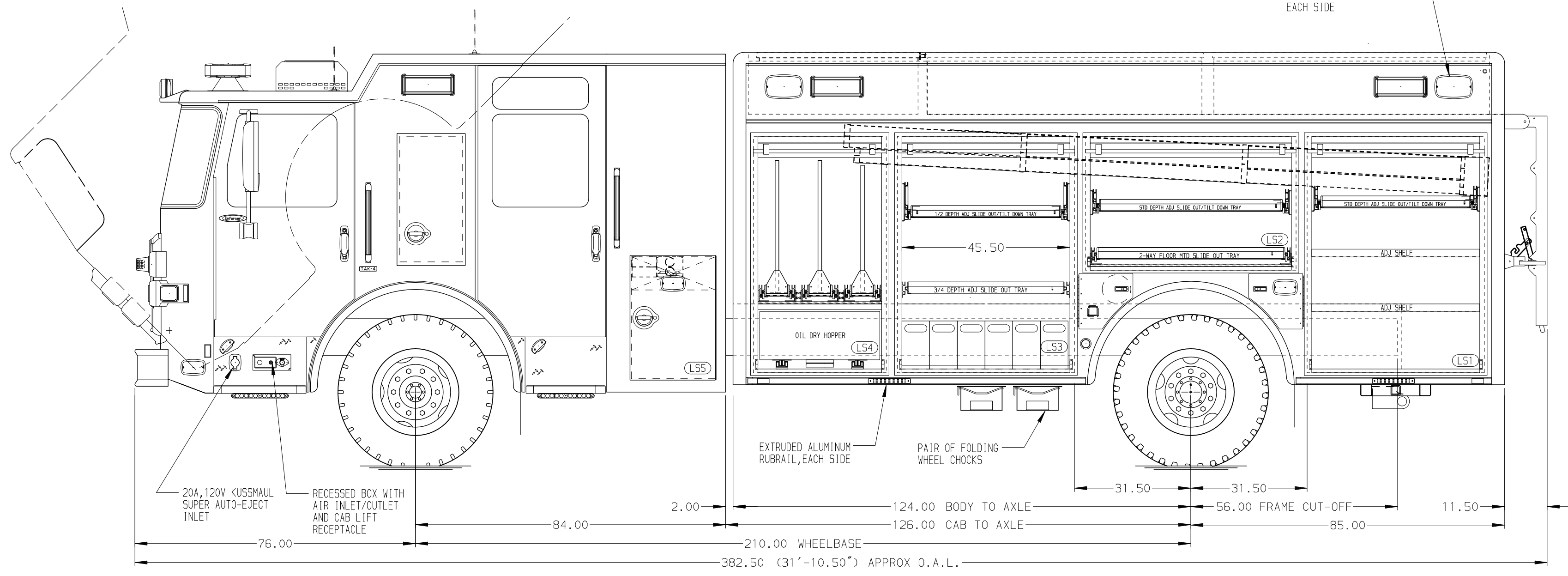
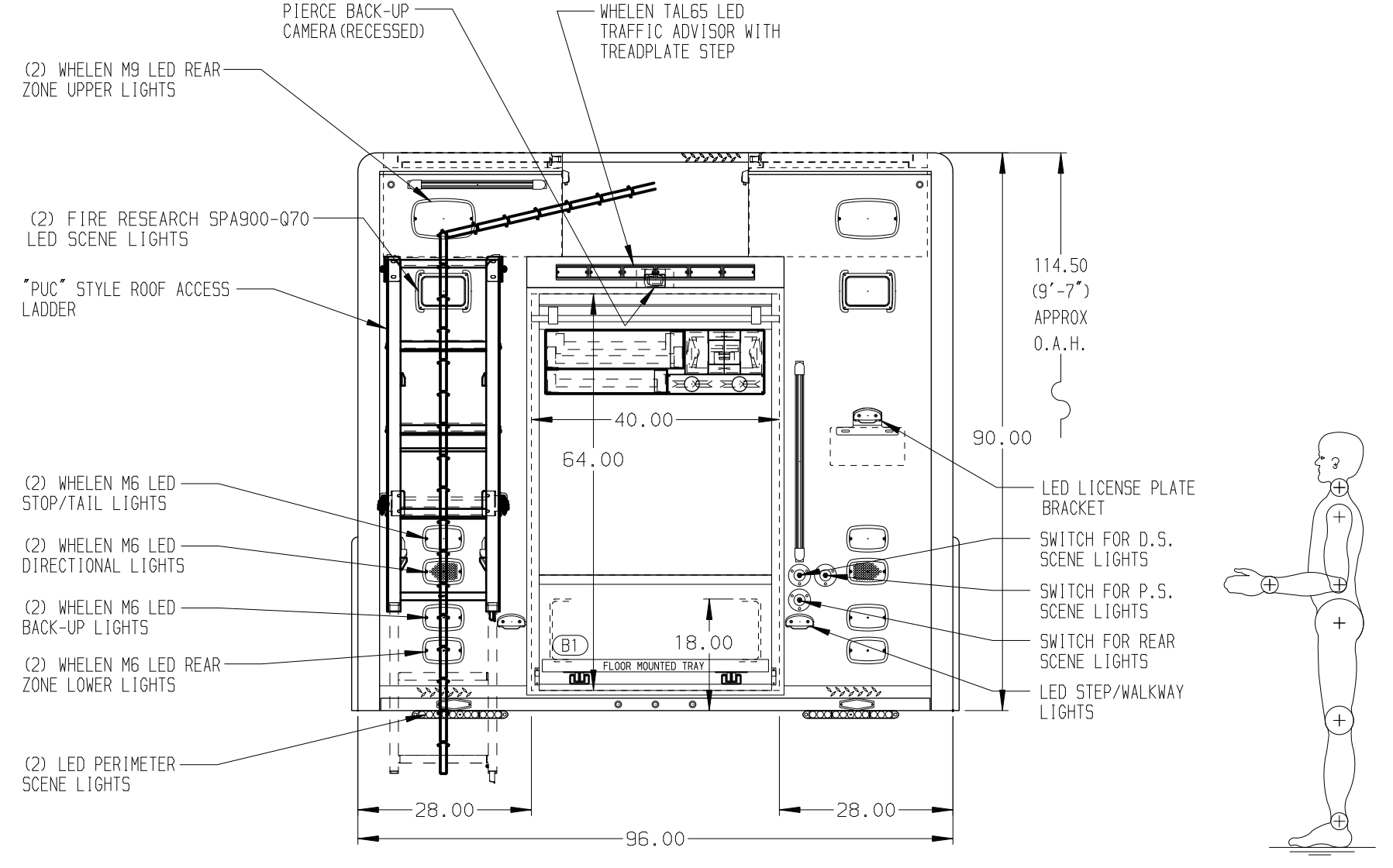
- RIGHT SIDE COMPARTMENTS CONTAIN THE FOLLOWING:**
- COMPARTMENT RS1 CONTAINS:
 - (1) STD DEPTH ADJ SLIDE OUT/TILT TRAY
 - (2) STD DEPTH ADJ SHELVES
 - (1) 15/20A, 120V DUPLEX RECEPTACLE
 - COMPARTMENT RS2 CONTAINS:
 - (1) STD DEPTH ADJ SLIDE OUT/TILT TRAY
 - (1) 2-WAY FLOOR MOUNTED SLIDE OUT TRAY
 - COMPARTMENT RS3 CONTAINS:
 - (1) SPECIAL DEPTH ADJ SHELF
 - (1) 1/2 DEPTH ADJ SLIDE OUT/TILT TRAY
 - (1) 4-DRAWER C-TECH CABINET
 - COMPARTMENT RS4 CONTAINS:
 - (1) HORIZONTAL FLOOR EXTENSION
 - (3) 2-WAY ADJ SLIDE OUT TOOLBOARDS
 - (1) CAB LIFT CONTROLS
 - COMPARTMENT RS5 CONTAINS:
 - (1) RACK FOR 2 PIKE POLES



- REAR COMPARTMENT CONTAINS THE FOLLOWING:**
- COMPARTMENT B1 CONTAINS:
 - (1) HORIZONTAL FLOOR EXTENSION
 - (1) FLOOR MOUNTED TRAY
 - (1) RACK FOR THE FOLLOWING:
 - (1) 24' 2-SECTION LADDER
 - (1) 14' ROOF ACCESS LADDER
 - (1) 10' FOLDING LADDER
 - (2) 10" HANDLE PIKE POLES
 - (2) PIKE POLES



- LEFT SIDE COMPARTMENTS CONTAIN THE FOLLOWING:**
- COMPARTMENT LS1 CONTAINS:
 - (1) STD DEPTH ADJ SHELVES
 - (1) STD DEPTH ADJ SLIDE OUT/TILT TRAY
 - COMPARTMENT LS2 CONTAINS:
 - (1) STD DEPTH ADJ SLIDE OUT/TILT TRAY
 - (1) 2-WAY FLOOR MOUNTED SLIDE OUT TRAY
 - COMPARTMENT LS3 CONTAINS:
 - (1) 1/2 DEPTH ADJ SLIDE OUT/TILT TRAY
 - (1) 3/4 DEPTH ADJ SLIDE OUT TRAY
 - (6) POLY TOOL BOXES
 - COMPARTMENT LS4 CONTAINS:
 - (1) HORIZONTAL FLOOR EXTENSION
 - (3) 2-WAY ADJ SLIDE OUT TOOLBOARDS
 - (1) SLIDE OUT OIL DRY HOPPER
 - COMPARTMENT LS5 CONTAINS:
 - (1) RACK FOR 2 PIKE POLES



NOTE
DIMENSIONS SHOWN ARE APPROXIMATE AND ARE SUBJECT TO MINOR DEVIATIONS AS MAY OCCUR OR BE NECESSARY IN CONSTRUCTION. MINOR DETAILS NOT SHOWN.

- NOTES:**
- DAVID CLARK 4-POSITION INTERCOM SYSTEM
 - KUSSMAUL CHIEF CHARGER LOCATED BEHIND DRIVER'S SEAT
 - BATTERY CHARGE INDICATOR LOCATED ON DRIVER'S SEAT RISER
 - PIERCE LED STRIP LIGHTS LOCATED ALL BODY AND HATCH COMPARTMENTS
 - FLOOR IN CAB AND CREW CAB TO BE PADDED RUBBER

MAXIMUM O.A.H. 9'-7"

MAXIMUM O.A.L. 32'-0"

SIDE ROLL AND FRONTAL IMPACT PROTECTION

CLEAR DOOR WIDTH KEY		CHASSIS DATA	
AMDR ROLL UP DOORS:	-2 1/4"	DATE	16MAY24
CURTAIN ROLL UP DOORS:	-2 1/2"	BY	DHE
PIERCE DOUBLE LAP DOORS:	-4 1/4"	DATE	29MAR24
PIERCE LIFT-UP LAP DOORS:	-1 1/2"	BY	AZU
(EX: 60" F-F - 2 1/4" = 57 3/4" CLEAR)		DATE	14MAR24
(F-F) = FRAME TO FRAME		BY	DHE
		CH	AZU
		MODEL	EN8410

		JOB NO.	39000
		SCALE	DATE
Pierce MANUFACTURING INC.		DRAWN BY	08NOV23
TITLE HEAVY DUTY RESCUE NON-WALKIN		CHECKED BY	10NOV23
FOR COUNTY OF SAN MATEO BID #917		SHEET SIZE	SHEET NO.
DWG NO. 39000AD		D	1 OF 1