

**RIGHT SIDE COMPARTMENTS CONTAIN THE FOLLOWING:**

COMPARTMENT RS1 CONTAINS:  
 - (1) 2-WAY FLOOR MOUNTED TRAY W/TOOLBOARD  
 - (1) 15/20A, 120V DUPLEX RECEPTACLE

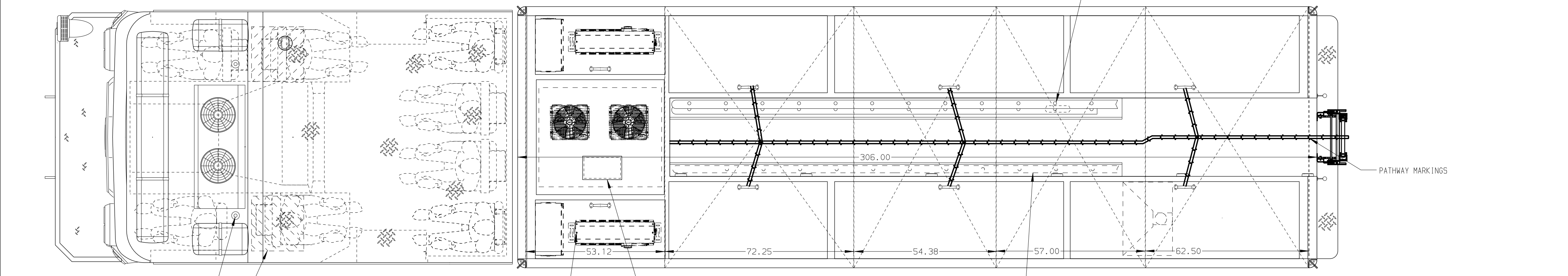
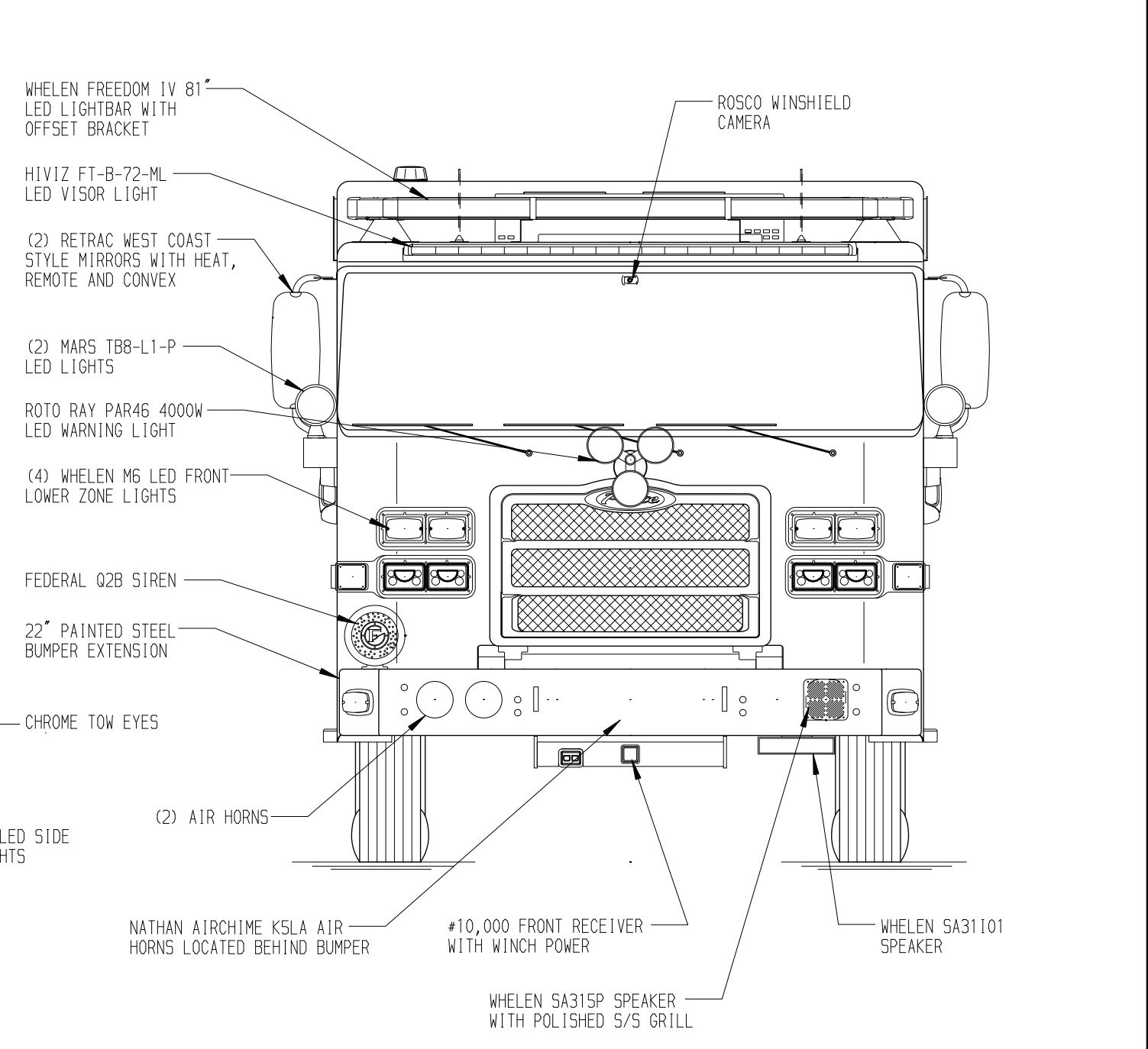
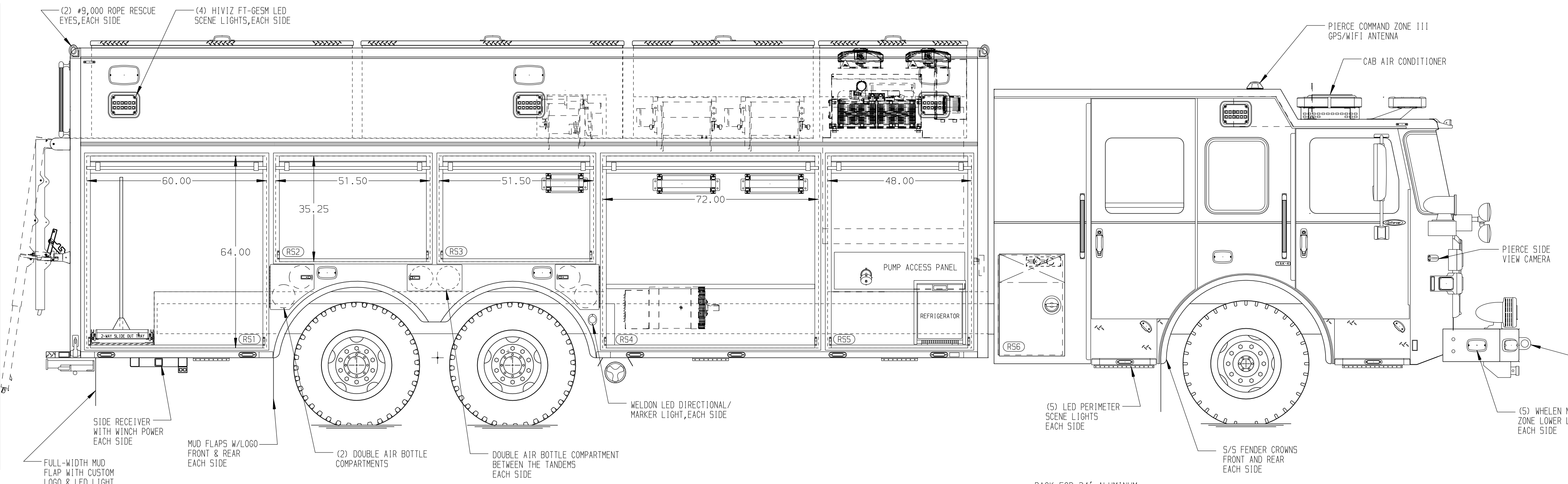
COMPARTMENT RS2 CONTAINS:  
 - (1) 15/20A, 120V DUPLEX RECEPTACLE

COMPARTMENT RS3 CONTAINS:  
 - (1) ELECTRIC CORD REEL WITH 200' OF 10/3 YELLOW CORD  
 - (1) 15/20A, 120V DUPLEX RECEPTACLE

COMPARTMENT RS4 CONTAINS:  
 - (1) HORIZONTAL FLOOR EXTENSION  
 - (2) HYDRAULIC REELS WITH 200' OF HOSE OF HOSE ON EACH

COMPARTMENT RS5 CONTAINS:  
 - (1) CAB LIFT CONTROLLER  
 - (1) 1.7 CU.FT REFRIGERATOR

COMPARTMENT RS6 CONTAINS:  
 - (1) RACK FOR 2 PIKE POLES-1 EACH SIDE  
 - (1) WATER CAN STORAGE TROUGH



**LEFT SIDE COMPARTMENTS CONTAIN THE FOLLOWING:**

COMPARTMENT LS1 CONTAINS:  
 - (1) OIL DRY HOPPER  
 - (1) 2-WAY FLOOR MOUNTED TRAY W/TOOLBOARD  
 - (1) 15/20A, 120V DUPLEX RECEPTACLE

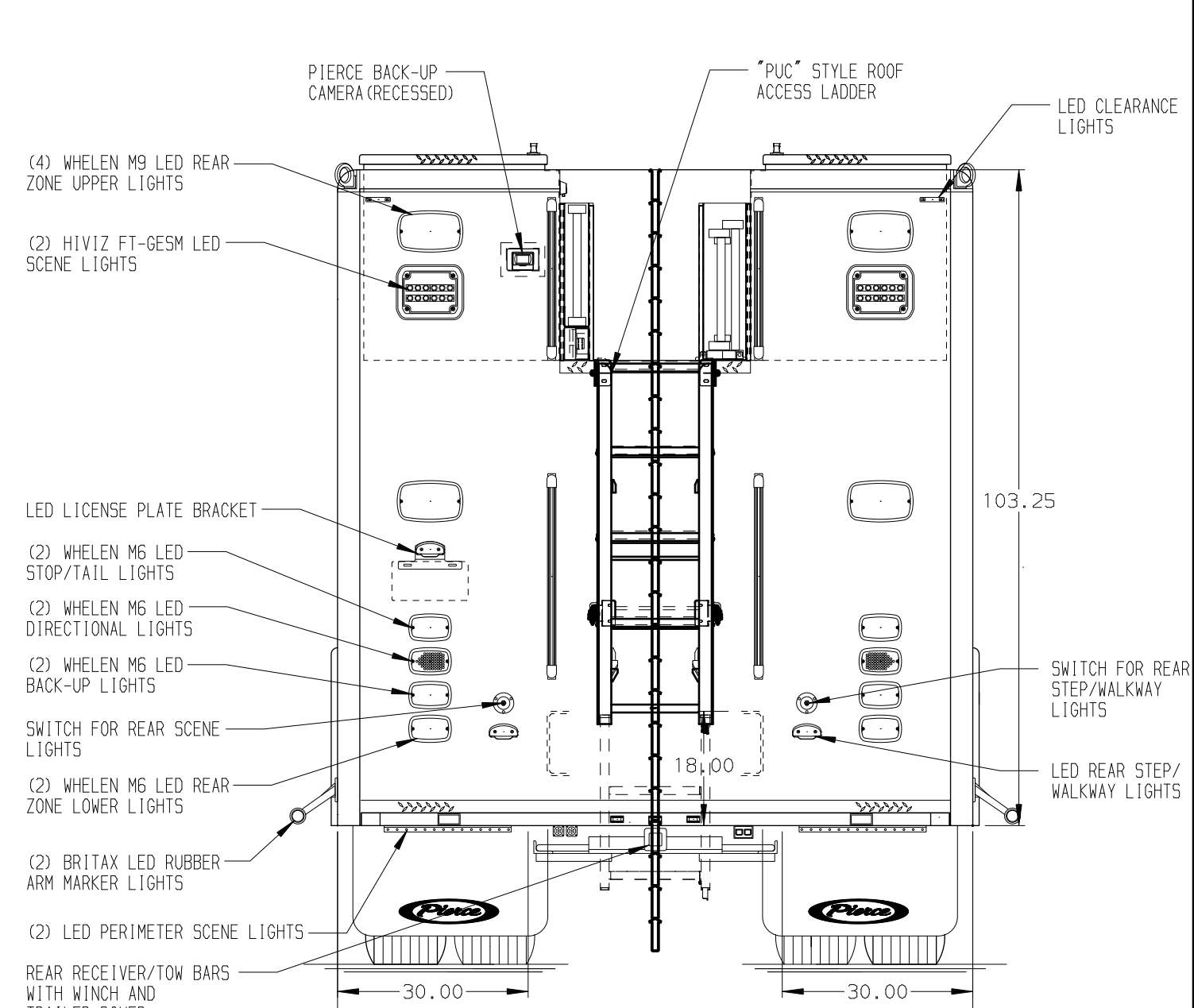
COMPARTMENT LS2 CONTAINS:  
 - (1) 15/20A, 120V DUPLEX RECEPTACLE

COMPARTMENT LS3 CONTAINS:  
 - (1) ELECTRIC CORD REEL WITH 200' OF 10/3 YELLOW CORD  
 - (1) 15/20A, 120V DUPLEX RECEPTACLE

COMPARTMENT LS4 CONTAINS:  
 - (1) HORIZONTAL FLOOR EXTENSION  
 - (2) HYDRAULIC REELS WITH 200' OF HOSE OF HOSE ON EACH

COMPARTMENT LS5 CONTAINS:  
 - (1) CIRCUIT BREAKER PANEL  
 - (1) GENERATOR METER PANEL

COMPARTMENT LS6 CONTAINS:  
 - (1) RACK FOR 2 PIKE POLES-1 EACH SIDE  
 - (1) WATER CAN STORAGE TROUGH



**NOTE**  
 DIMENSIONS SHOWN ARE APPROXIMATE AND ARE SUBJECT TO MINOR DEVIATIONS AS MAY OCCUR OR BE NECESSARY IN CONSTRUCTION. MINOR DETAILS NOT SHOWN.

- NOTES:**
1. WARN #9,000 PORTABLE RECEIVER STYLE WINCH
  2. POLISHED S/S SCUFFPLATES ON CAB AND CREW CAB DOOR JAMBS
  3. ALUMINUM TREADPLATE ON CREW CAB ROOF
  4. FLOOR IN CAB AND CREW CAB TO BE PADDED RUBBER
  5. IOTA 75 AMP BATTERY CHARGER LOCATED BEHIND THE DRIVER'S SEAT
  6. BATTERY CHARGE INDICATOR LOCATED ON THE DRIVER'S SEAT RISER
  7. PULL-STRAPS ON ALL BODY ROLL-UP DOORS
  8. PIERCE LED LIGHT STRIPS IN ALL BODY AND HATCH COMPARTMENTS
  9. WATERIOUS CPK-2 300 GPM WATER PUMP
  10. OMN 35kW SINGLE PHASE PTO DRIVEN GENERATOR LOCATED BETWEEN THE FRAME RAILS

11. (3) 15/20A, 120V DUPLEX RECEPTACLES IN CAB

**CLEAR DOOR WIDTH KEY**

AMOR ROLL UP DOORS:	-2 1/4"
CORTITE ROLL UP DOORS:	-2 1/2"
PIERCE DOUBLE LAP DOORS:	-4 1/4"
PIERCE LIFT-UP LAP DOORS:	-1 1/2"

(EX: 60" F-F - 2 1/4" = 57 3/4" CLEAR)  
 (F-F) = FRAME TO FRAME

REV	DATE	BY	CH	EN8410
01APR24	DHE	AZU	MAKE	
08FEB24	DHE	AZU	PIERCE	
08DEC23	DHE	AZU	MODEL	

**Pierce MANUFACTURING INC.**

JOB NO. 38991

SCALE 1:24 DATE

DRAWN BY DHE 01NOV23

CHECKED BY AZU 02NOV23

TITLE HEAVY DUTY RESCUE NON-WALKIN

FOR MAYTOWN-EAST DONEGAL FIRE DEPARTMENT BID #793 JAKE BACHMAN

DWG NO. 38991AD

SHEET SIZE D SHEET NO. 1 OF 1