

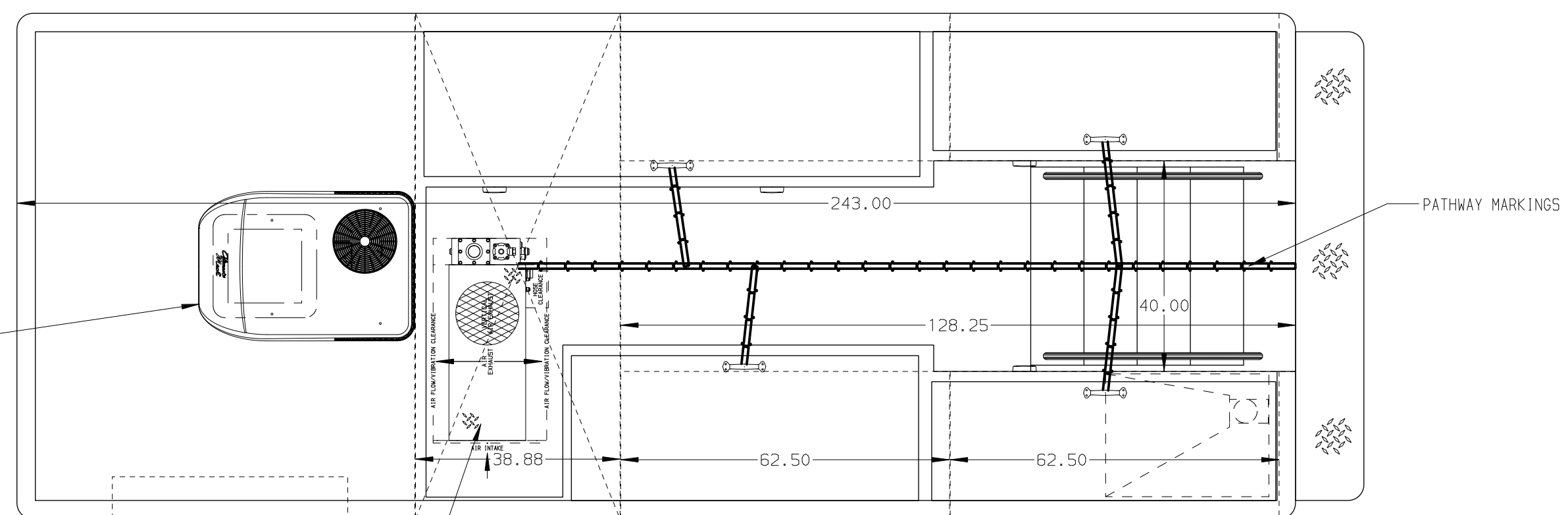
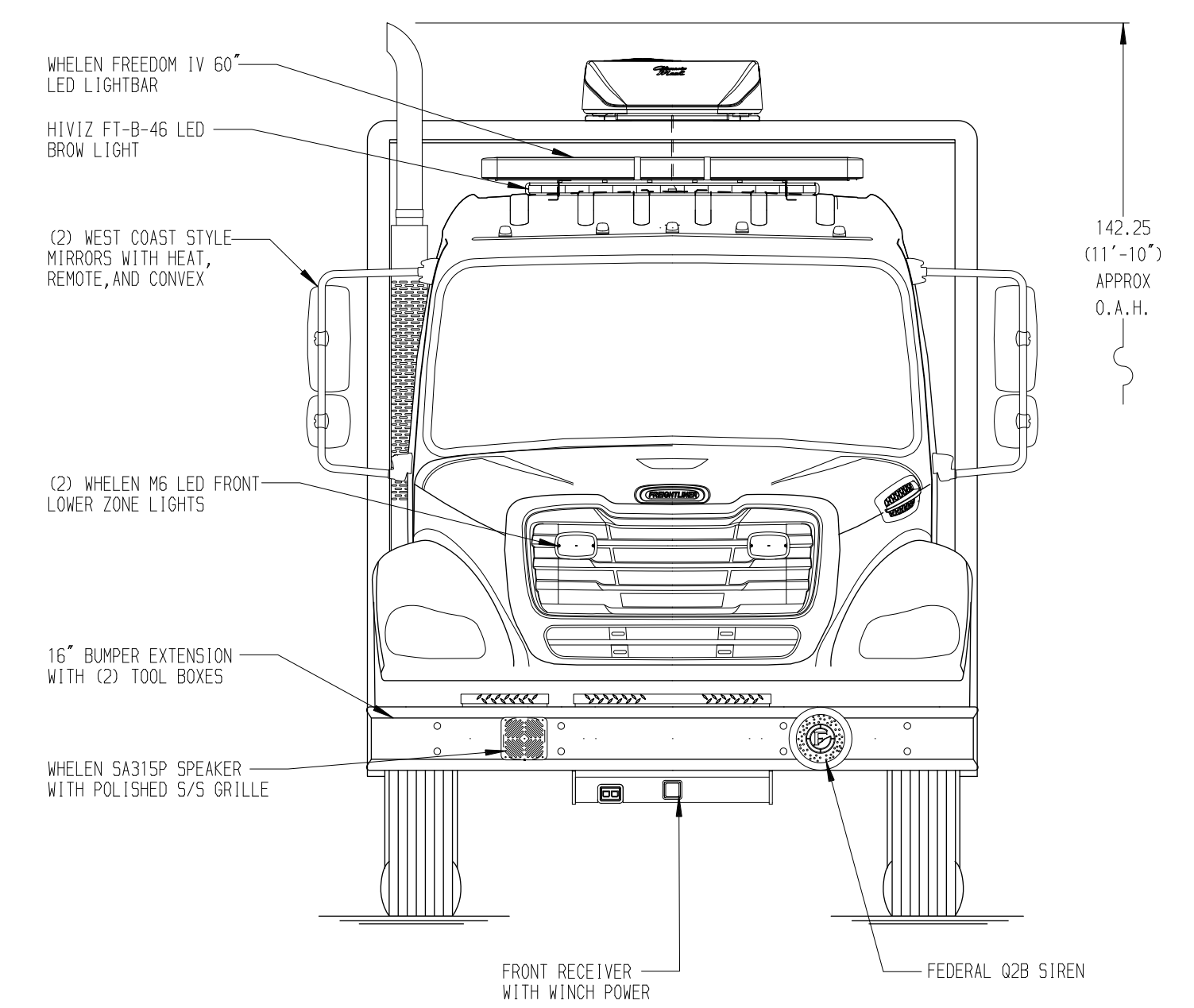
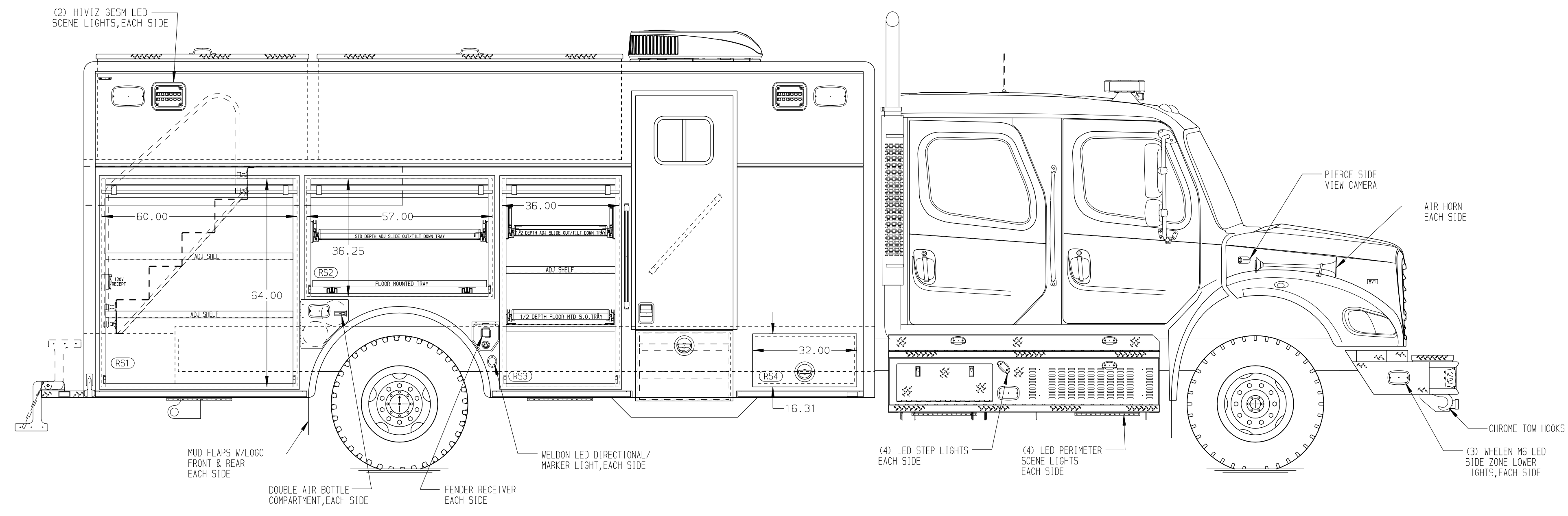
RIGHT SIDE COMPARTMENTS CONTAIN THE FOLLOWING:

COMPARTMENT R51 CONTAINS:
 - (2) STD DEPTH ADJ SHELVES
 - (1) 20A, 120V DUPLEX RECEPTACLE

COMPARTMENT R52 CONTAINS:
 - (1) FLOOR MOUNTED SLIDE OUT TRAY
 - (1) STD DEPTH ADJ SLIDE OUT/TILT TRAY

COMPARTMENT R53 CONTAINS:
 - (1) HORIZONTAL FLOOR EXTENSION
 - (1) 1/2 DEPTH FLOOR MTD SLIDE OUT TRAY
 - (1) 1/2 DEPTH ADJ SLIDE OUT/TILT TRAY
 - (1) 1/2 DEPTH ADJ SHELF

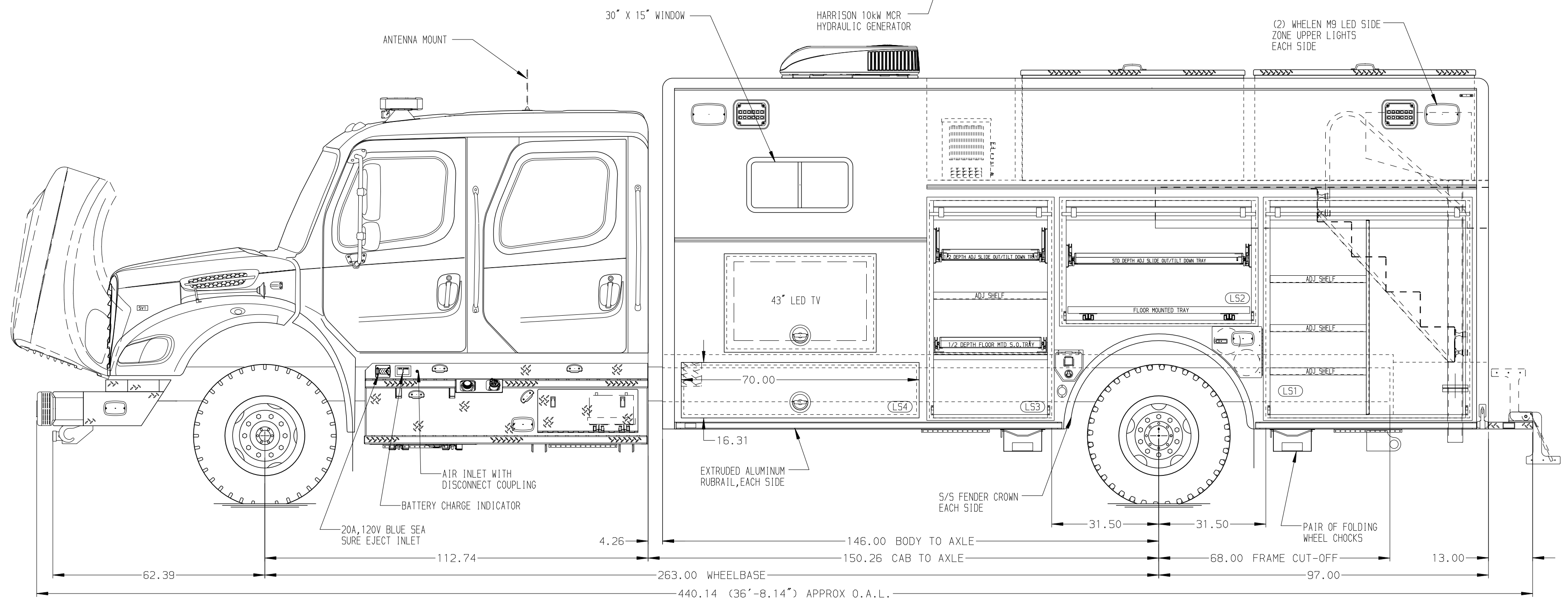
COMPARTMENT R54 CONTAINS:
 -



REAR COMPARTMENT CONTAINS THE FOLLOWING:

COMPARTMENT B1 CONTAINS:
 -

COMPARTMENT B2 CONTAINS:
 - (1) 110\"/>



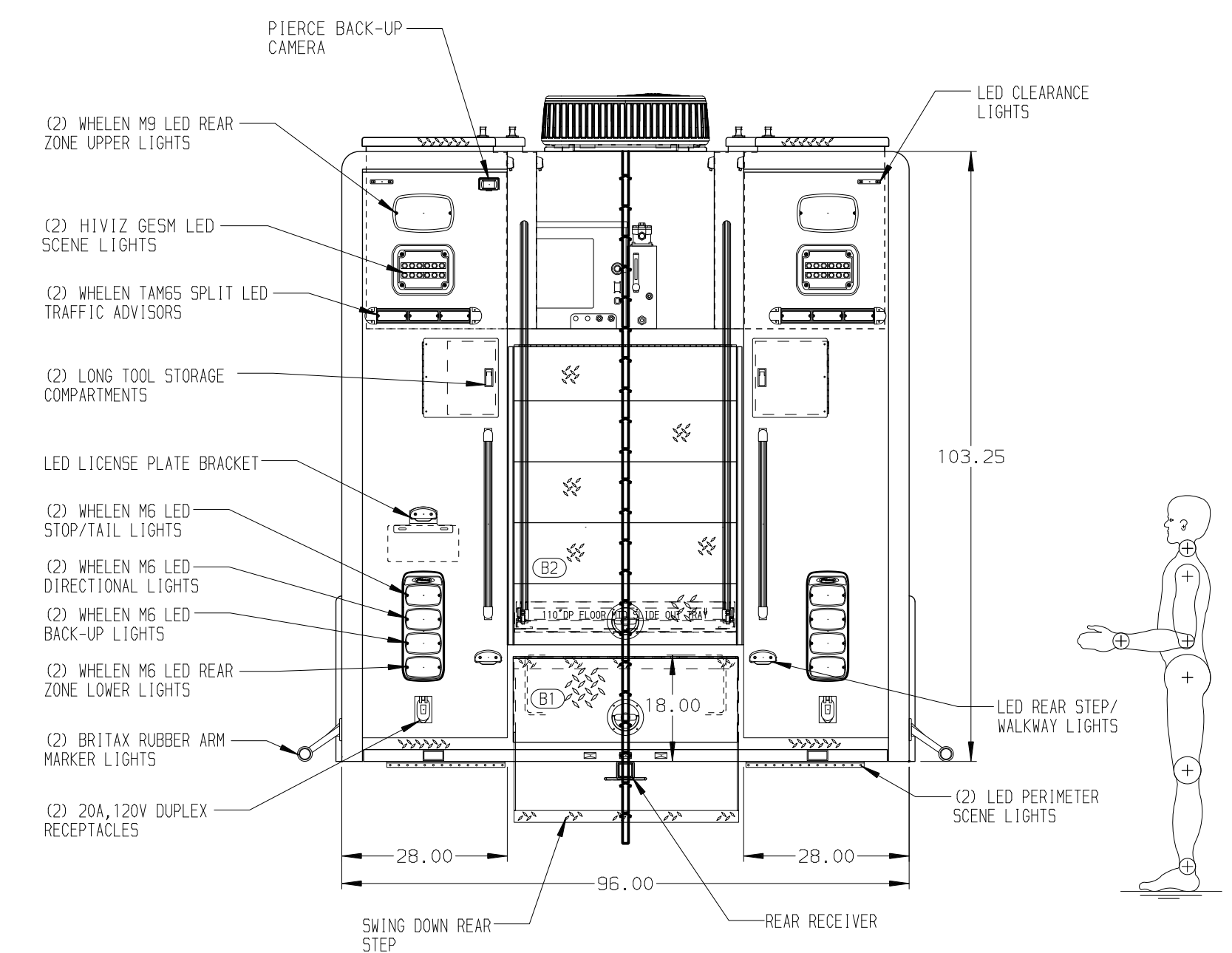
LEFT SIDE COMPARTMENTS CONTAIN THE FOLLOWING:

COMPARTMENT L51 CONTAINS:
 - (1) OIL DRY HOPPER
 - (1) VERTICAL COMPARTMENT PEGBOARD DIVIDER
 - (3) STD DEPTH ADJ SHELVES

COMPARTMENT L52 CONTAINS:
 - (1) FLOOR MOUNTED SLIDE OUT TRAY
 - (1) STD DEPTH ADJ SLIDE OUT/TILT TRAY

COMPARTMENT L53 CONTAINS:
 - (1) HORIZONTAL FLOOR EXTENSION
 - (1) 1/2 DEPTH FLOOR MTD SLIDE OUT TRAY
 - (1) 1/2 DEPTH ADJ SLIDE OUT/TILT TRAY
 - (1) 1/2 DEPTH ADJ SHELF

COMPARTMENT L54 CONTAINS:
 - (1) BLUE SEA P12 CHARGER



NOTE
 DIMENSIONS SHOWN ARE APPROXIMATE AND ARE SUBJECT TO MINOR DEVIATIONS AS MAY OCCUR OR BE NECESSARY IN CONSTRUCTION. MINOR DETAILS NOT SHOWN.

NOTES: 1. PIERCE LED LIGHTS LOCATED IN ALL BODY AND HATCH COMPARTMENTS

REV	DATE	BY	CH
29APR24	DHE	CDK	
11MAR24	DHE	CDK	FREIGHTLINER
15DEC23	DHE	CDK	MODEL

		CHASSIS DATA	TITLE	HEAVY DUTY RESCUE WALKIN/NON-WALKIN COMBO	JOB NO.	38976
		MAKE	FOR	KINGSPORT FIRE DEPARTMENT	SCALE	DATE
DATE	BY	CH	DWG NO.	38976AD-SH1	CHECKED BY	170CT23
					SHEET SIZE	SHEET NO.
					D	1 OF 1