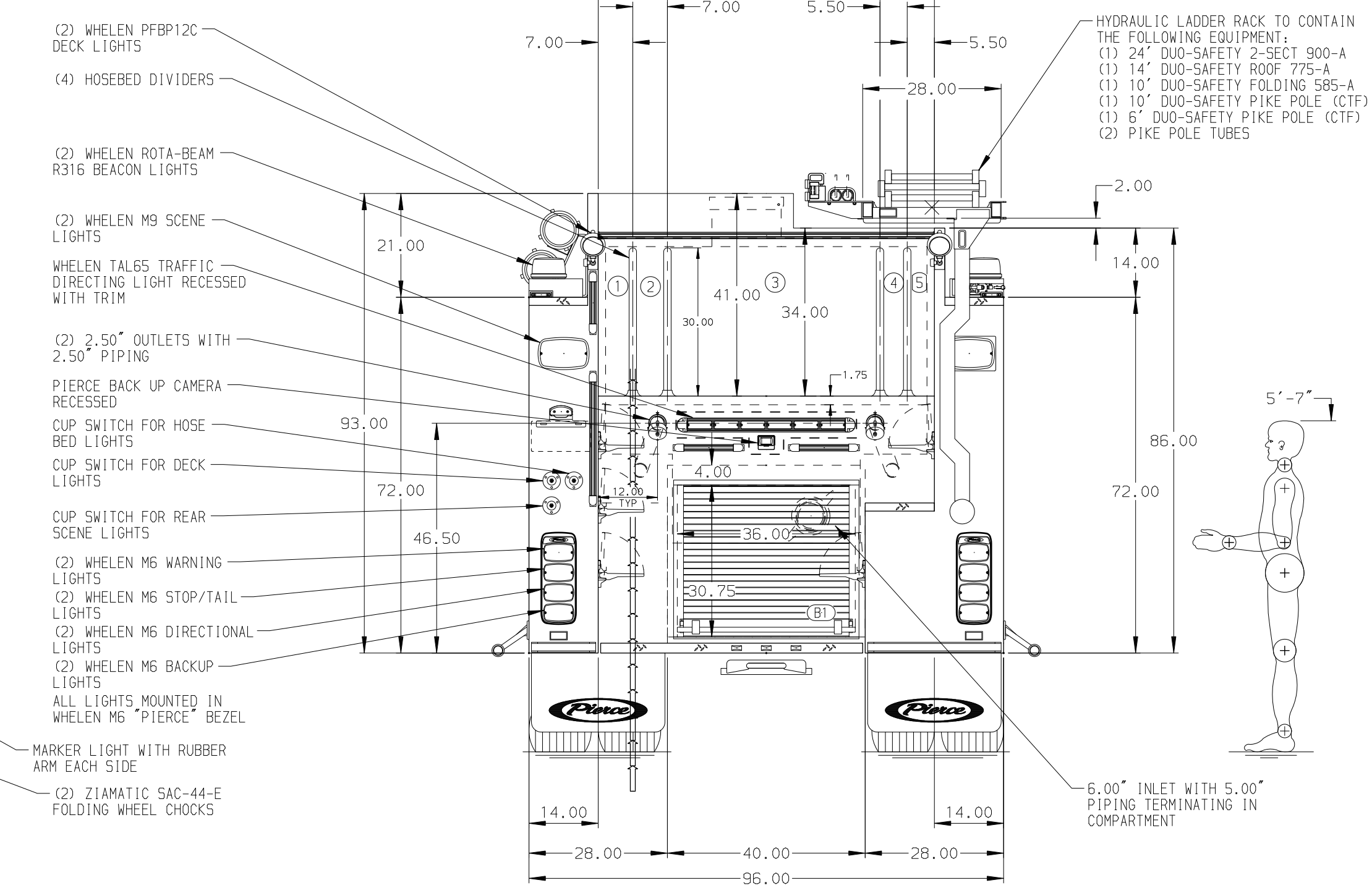
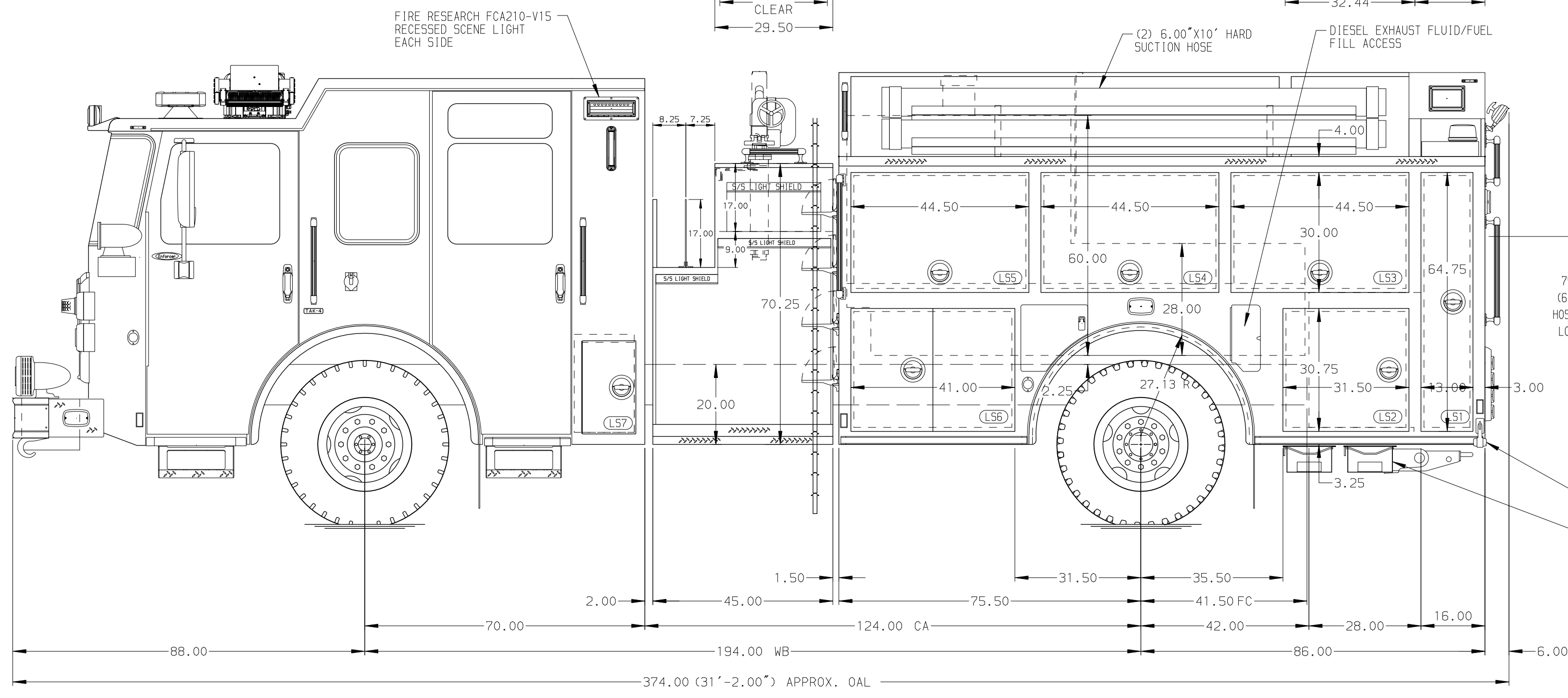


- HOSEBED CAPACITIES
- ① 200' OF 2.50" D.J. POLY HOSE
  - ② 250' OF 2.50" D.J. POLY HOSE
  - ③ 1300' OF 5.00" D.J. POLY HOSE
  - ④ 250' OF 1.75" D.J. POLY HOSE
  - ⑤ 200' OF 1.75" D.J. POLY HOSE



ALUMINUM BODY MAXIMUM O.A.L. 379.00" SIDE ROLL AND FRONTAL IMPACT PROTECTION

NOTE  
DIMENSIONS SHOWN ARE APPROXIMATE AND ARE SUBJECT TO MINOR DEVIATIONS AS MAY OCCUR OR BE NECESSARY IN CONSTRUCTION. MINOR DETAILS NOT SHOWN.

- 1. AIR INLET WITH DISCONNECT FITTING LOCATED IN DRIVER SIDE STEP WELL FORWARD
- 2. BATTERY CHARGER/AIR COMPRESSOR MOUNTED BEHIND DRIVER SEAT
- 3. BATTERY CHARGER INDICATOR LOCATED ON DRIVER'S SEAT RISER
- 4. 120V SHORELINE RECEPTACLE LOCATED ON CAB

REV	DATE	BY	CH	ENFORCER
1	18SEP24	BST	CSH	CHASSIS DATA
2	31MAY24	BST	CSH	MAKE
3	25APR24	BTH	CSH	PIERCE
4	19APR24	BST	CSH	MODEL
5	26JAN24	BST	PHA	

		JOB NO.	38930
		SCALE	DATE
TITLE	1500-D-1000P, 161" PUMPER BODY, DELUGE HYDRAULIC LADDER RACK, 45' SIDE CONTROL	DRAWN BY	BST
FOR	NEW HACKENSACK FIRE DEPARTMENT WAPPINGERS FALLS, NEW YORK	CHECKED BY	PHA
DWG NO.	38930AD	SHEET SIZE	SHEET NO.
		D	1 OF 1