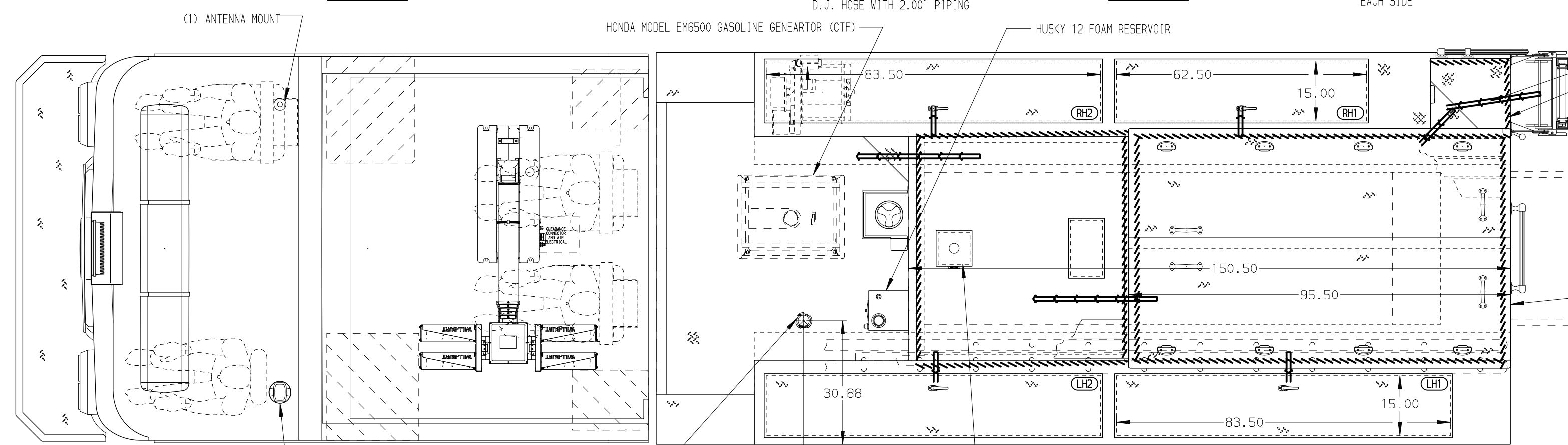
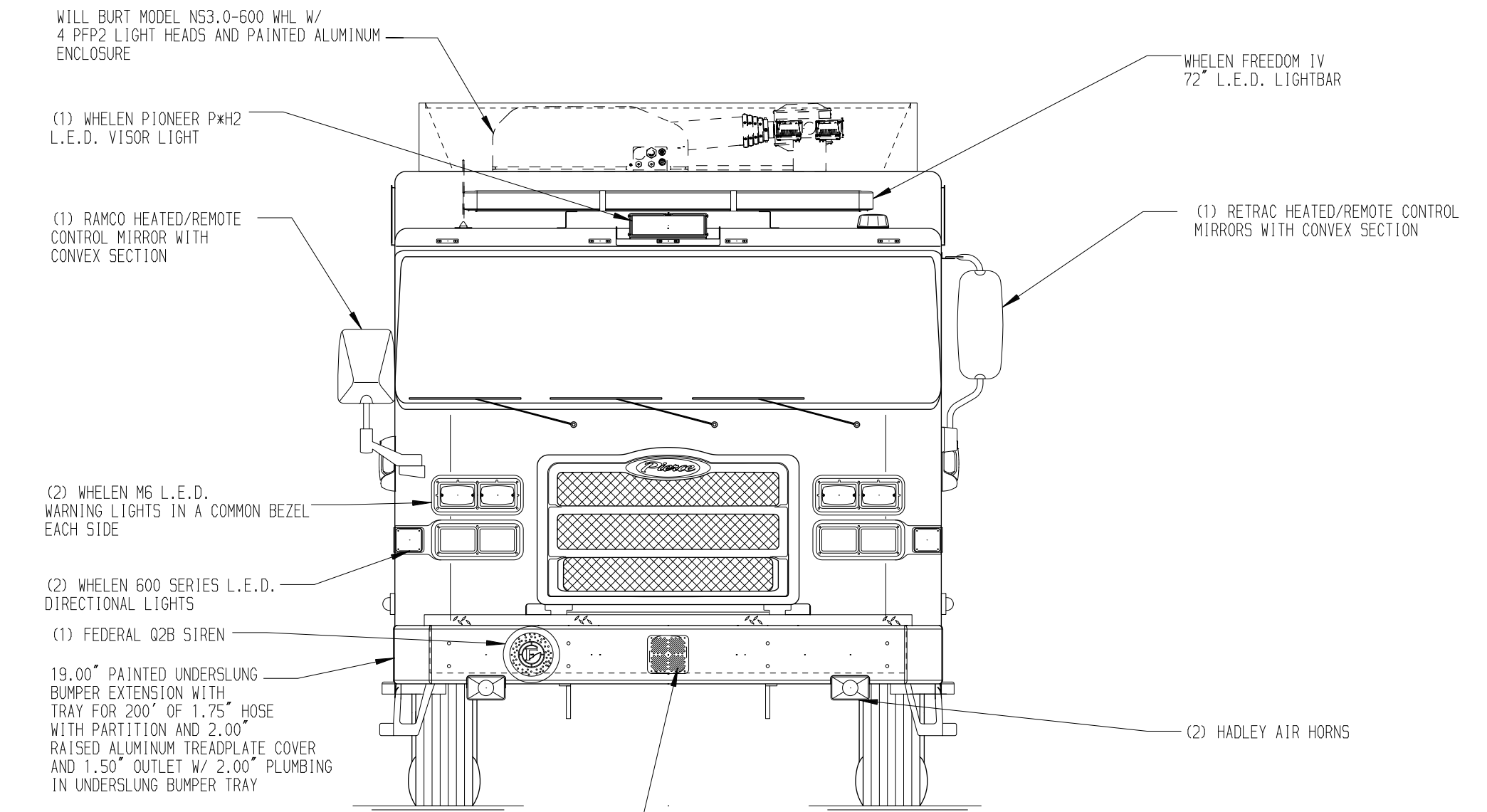
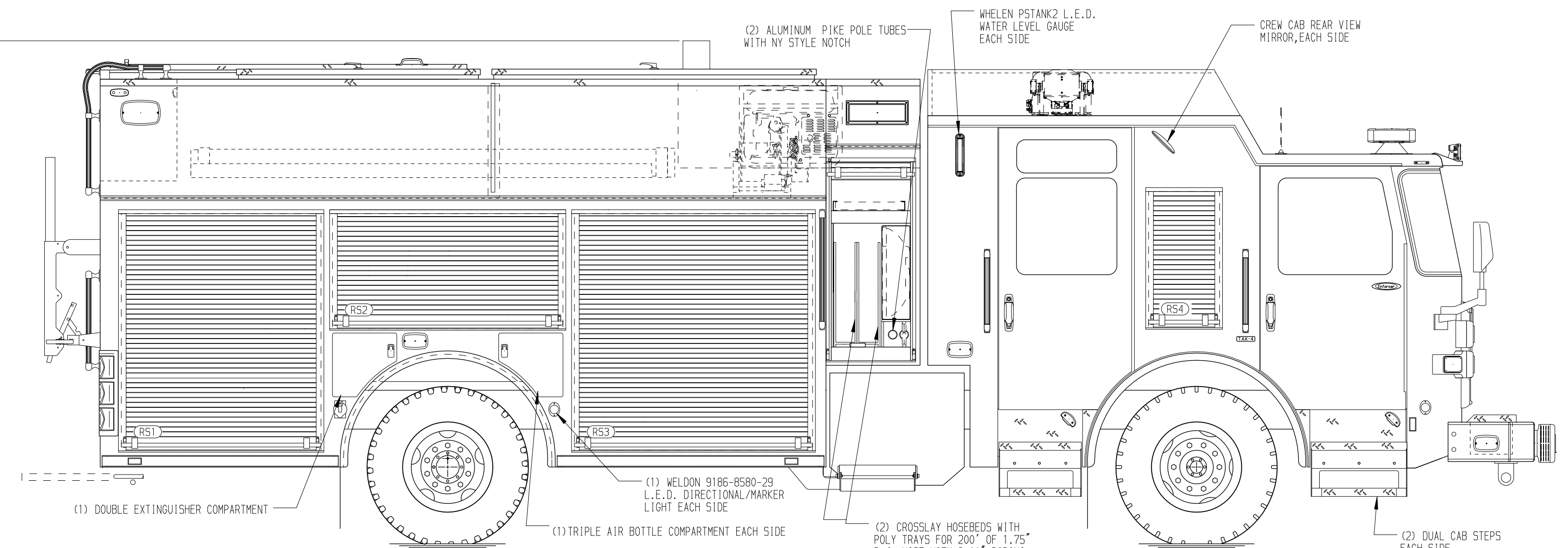
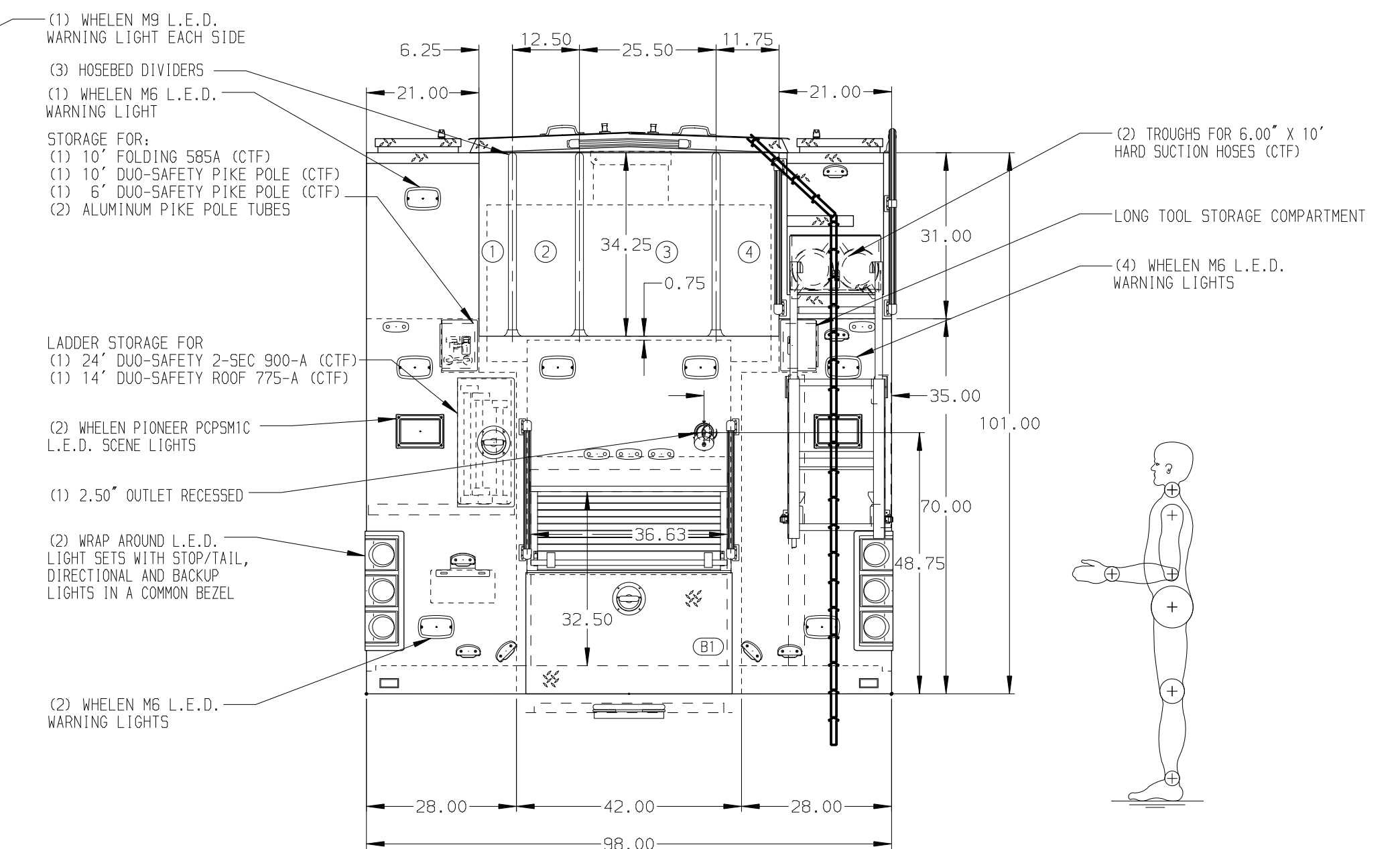
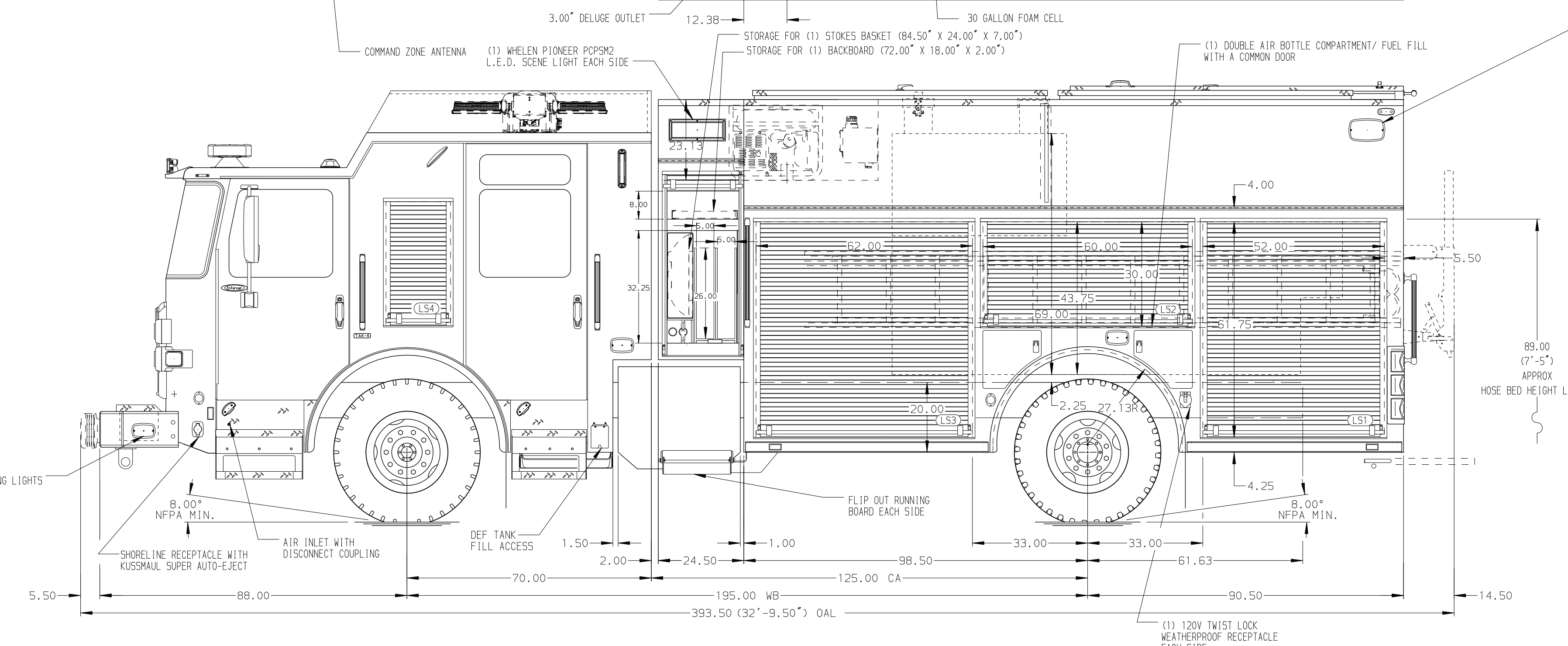


134.00  
(11'-2")  
APPROX  
O.A.H.



- HOSEBED CAPACITIES
- ① 300' OF 2.50" D.J. POLY HOSE
  - ② 200' OF 3.00" D.J. POLY HOSE
  - ③ 1000' OF 5.00" D.J. POLY HOSE
  - ④ 600' OF 3.00" D.J. POLY HOSE



ALUMINUM BODY

SIDE ROLL AND FRONTAL IMPACT PROTECTION

NOTE  
DIMENSIONS SHOWN ARE APPROXIMATE AND ARE SUBJECT TO MINOR DEVIATIONS AS MAY OCCUR OR BE NECESSARY IN CONSTRUCTION. MINOR DETAILS NOT SHOWN.

- 1. BATTERY CHARGER LOCATED BEHIND THE DRIVER'S SEAT
- 2. BATTERY CHARGER INDICATOR LOCATED ON DRIVER'S SEAT RISER
- 3. CIRCUIT BREAKER PANEL IN L53
- 4. (1) HANNAY MODEL ECR1618-17-18 CABLE REEL FOR 200' OF 12/3 CABLE IN RH2

REV	DATE	BY	CH	ENFORCER
18APR24	LST	CLM		
29FEB24	LST	EGO		

		JOB NO.	PRELIM
		SCALE	DATE
TITLE	1500-D-1000P 970 WATER/30 FOAM, 189" RESCUE PUC BODY (2) CROSSLAYS, DELUGE, LIGHT TOWER, CORD REEL		
FOR	PACIFIC FIRE PROTECTION DISTRICT PACIFIC, MISSOURI		
DWG NO.	38876AD		
	DRAWN BY	LST	13FEB24
	CHECKED BY	EGO	19FEB24
	SHEET SIZE	D	SHEET NO. 1 OF 1