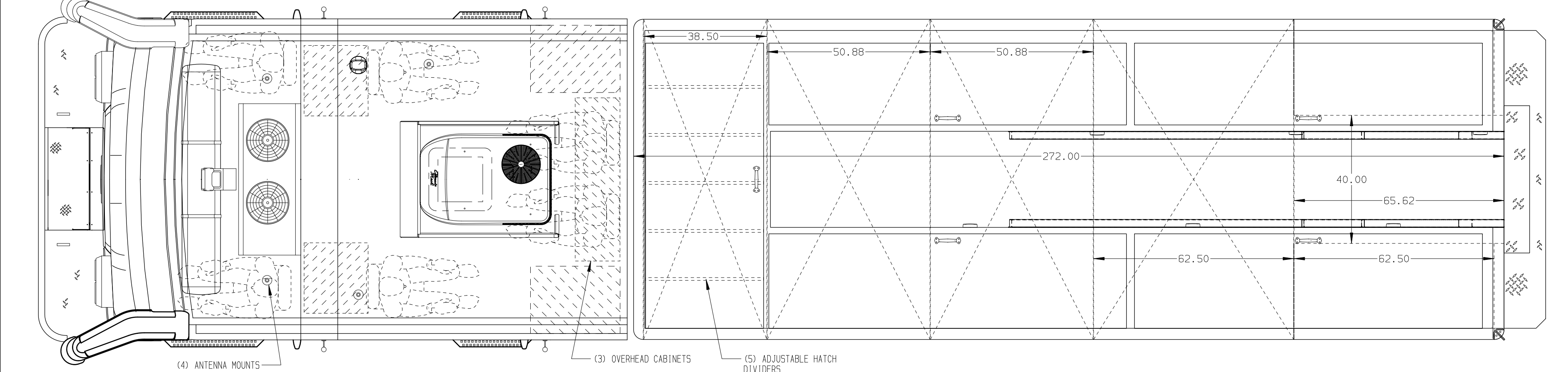
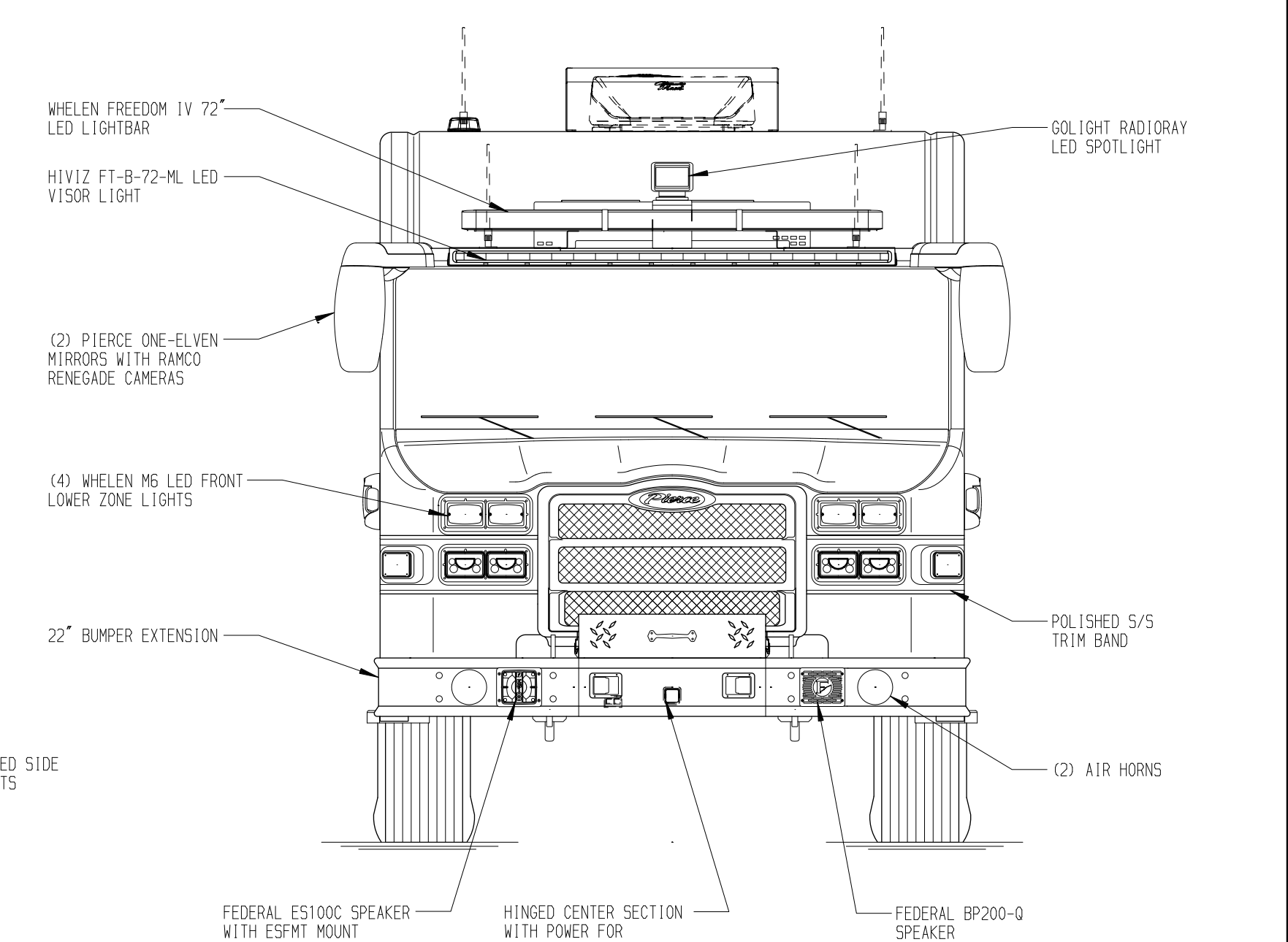
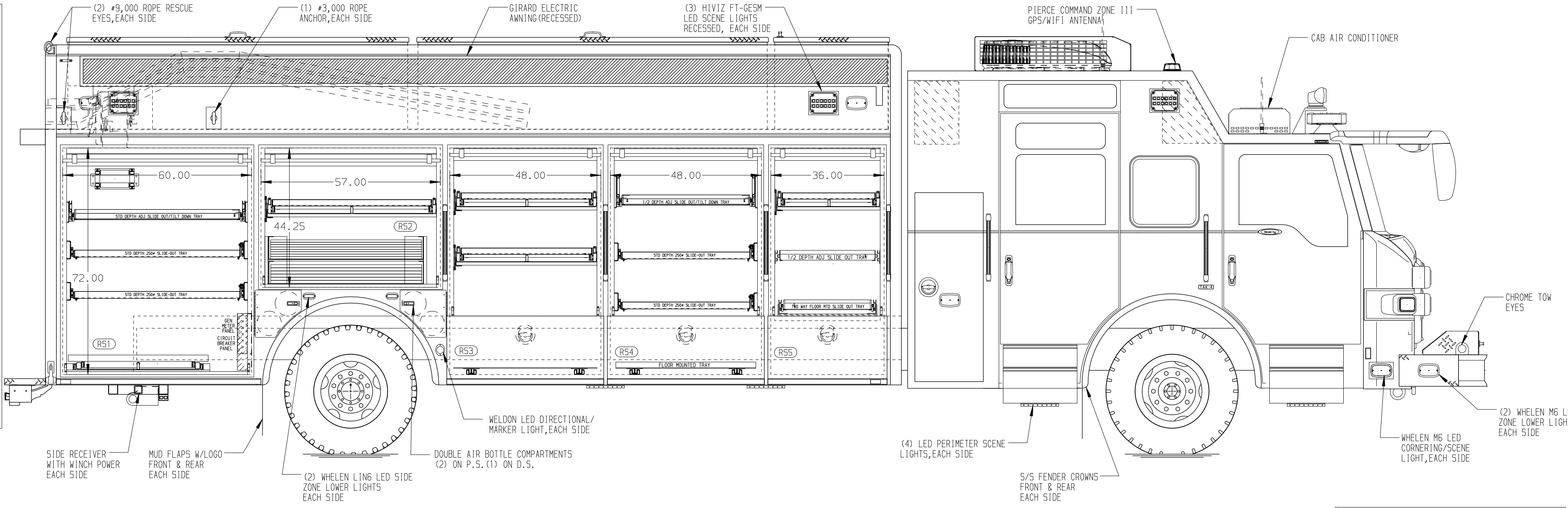
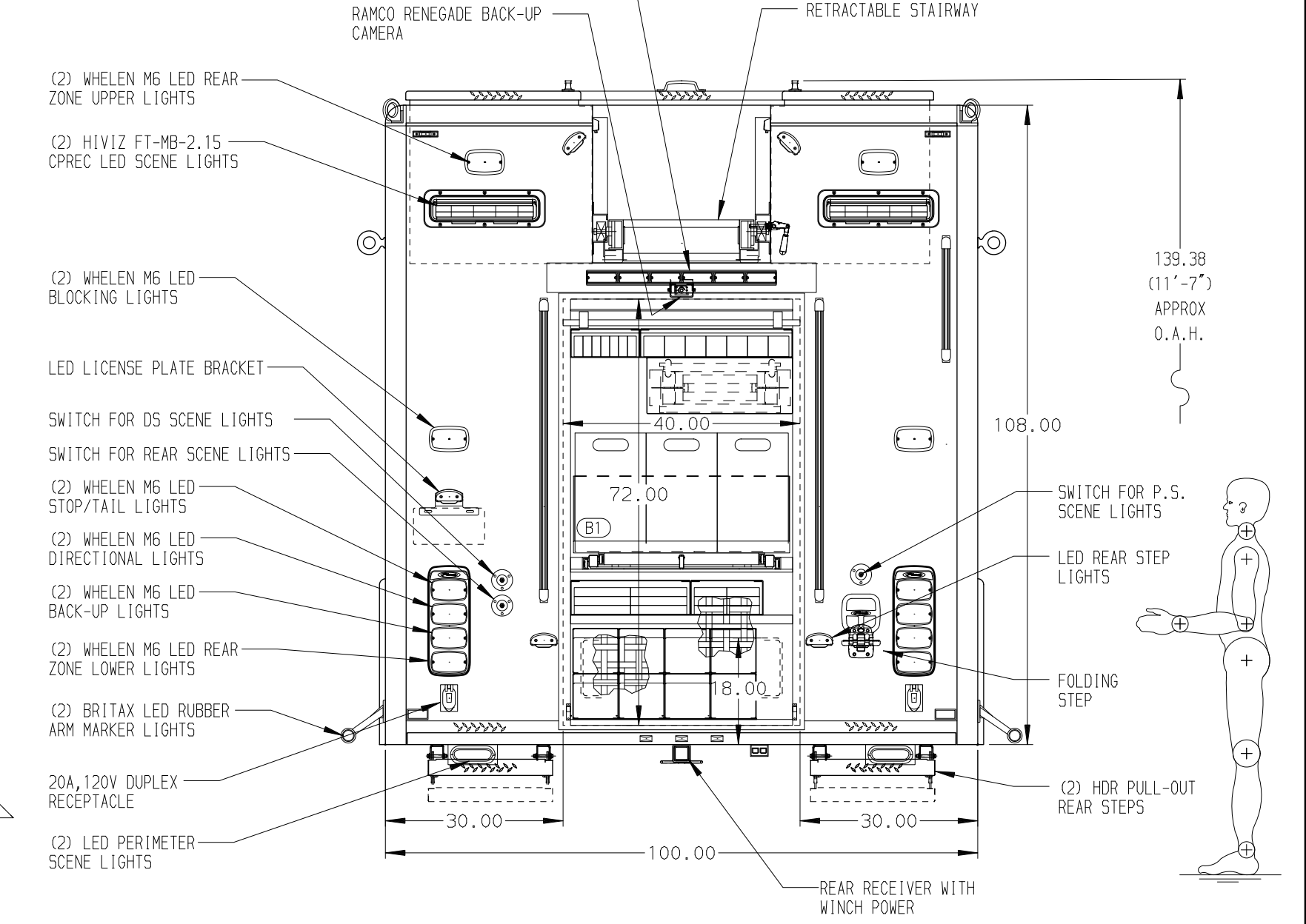
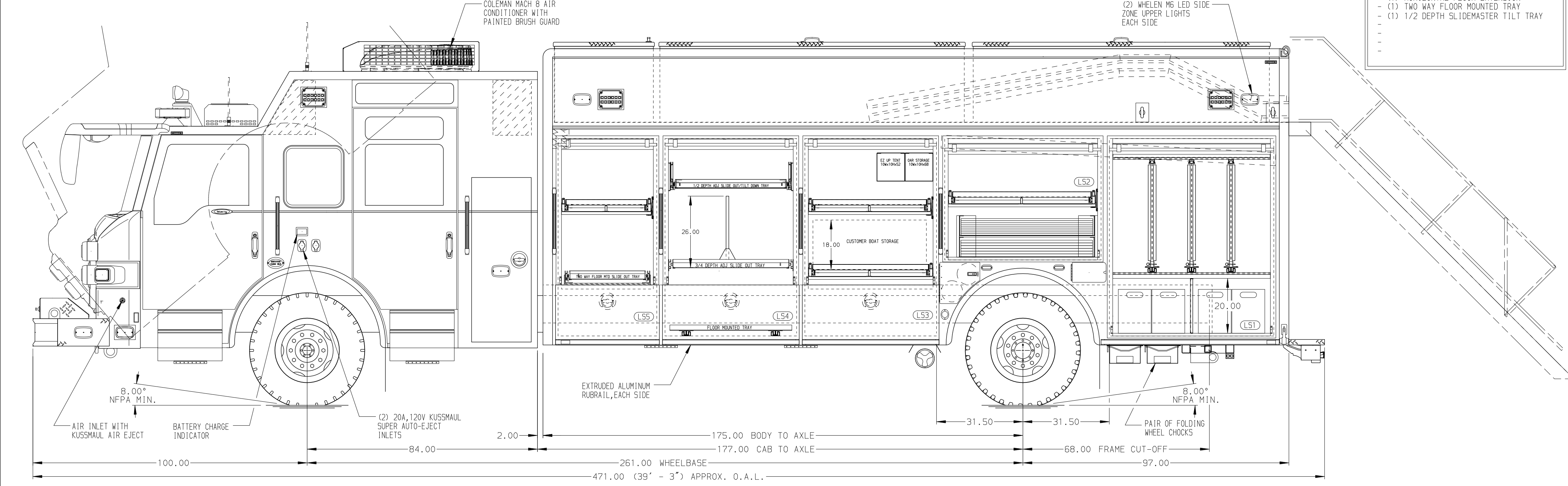


- RIGHT SIDE COMPARTMENTS CONTAIN THE FOLLOWING:**
- COMPARTMENT RS1 CONTAINS:
 - (2) STD DEPTH ADJ SLIDE OUT TRAYS
 - (1) STD DEPTH ADJ SLIDE OUT/TILT TRAY
 - (1) STD DEPTH SLIDEMASTER FLOOR TRAY
 - (1) CIRCUIT BREAKER PANEL
 - (1) GENERATOR METER PANEL
 - (1) ELECTRIC CORD REEL WITH 200' OF 10/4 BLACK CORD
 - COMPARTMENT RS2 CONTAINS:
 - (1) RACK FOR 8 SHEETS OF PLYWOOD AND 6 FIN FORM BOARDS
 - (1) 1/2 DEPTH SLIDEMASTER TILT TRAY
 - COMPARTMENT RS3 CONTAINS:
 - (2) 1/2 DEPTH SLIDEMASTER TILT TRAYS
 - (1) FLAT TOP FLOOR MOUNTED TRAY
 - COMPARTMENT RS4 CONTAINS:
 - (1) 1/2 DEPTH SLIDE OUT/TILT TRAY
 - (1) FLOOR MOUNTED TRAY
 - (2) STD DEPTH ADJ SLIDE OUT TRAYS
 - COMPARTMENT RS5 CONTAINS:
 - (1) HORIZONTAL FLOOR EXTENSION
 - (1) 1/2 DEPTH SLIDEMASTER TILT TRAY
 - (1) TWO WAY FLOOR MOUNTED TRAY
 - (1) 1/2 DEPTH ADJ SLIDE OUT TRAY



- LEFT SIDE COMPARTMENTS CONTAIN THE FOLLOWING:**
- COMPARTMENT LS1 CONTAINS:
 - (4) POLY TOOL BOXES
 - (1) HORIZONTAL FLOOR EXTENSION
 - (3) STD DEPTH SLIDE OUT TOOLBOARD WITH PAC TRAC
 - (1) VERTICAL COMPARTMENT DIVIDER
 - COMPARTMENT LS2 CONTAINS:
 - (1) RACK FOR 8 SHEETS OF PLYWOOD AND 6 FIN FORM BOARDS
 - (1) 1/2 DEPTH SLIDEMASTER TILT TRAY
 - COMPARTMENT LS3 CONTAINS:
 - (2) EQUIPMENT TROUGHS
 - (2) 1/2 DEPTH SLIDEMASTER TILT TRAYS
 - (1) HORIZONTAL FLOOR EXTENSION
 - COMPARTMENT LS4 CONTAINS:
 - (1) 3/4 DEPTH ADJ SLIDE OUT TRAY WITH TOOLBOARD
 - (1) 1/2 DEPTH SLIDE OUT/TILT TRAY
 - (1) FLOOR MOUNTED TRAY
 - COMPARTMENT LS5 CONTAINS:
 - (1) KUSSMAUL 1200 CHARGER
 - (1) HORIZONTAL FLOOR EXTENSION
 - (1) TWO WAY FLOOR MOUNTED TRAY
 - (1) 1/2 DEPTH SLIDEMASTER TILT TRAY

- REAR COMPARTMENT CONTAINS THE FOLLOWING:**
- COMPARTMENT B1 CONTAINS:
 - (1) HORIZONTAL FLOOR EXTENSION
 - (1) RACK FOR 8 SCBA BOTTLES
 - (1) RACK FOR THE FOLLOWING:
 - (6) 2'x6'x10" SHORING LUMBER
 - (6) 2'x10'x10" SHORING LUMBER
 - TROUGH FOR (7) 2'x4'x10" SHORING LUMBER
 - TROUGH FOR (7) 4'x4'x10" SHORING LUMBER
 - (1) 60" ADJ SLIDE MASTER SLIDE OUT TRAY WITH SPECIAL SIDES
 - (1) TROUGH FOR 13' LITTLE GIANT LADDER
 - (3) POLY TOOL BOXES
 - CARGO RETENTION NETTING (LOWER)



NOTE
DIMENSIONS SHOWN ARE APPROXIMATE AND ARE SUBJECT TO MINOR DEVIATIONS AS MAY OCCUR OR BE NECESSARY IN CONSTRUCTION. MINOR DETAILS NOT SHOWN.

- NOTES:**
- A QANAN 15kW SINGLE PHASE PTO DRIVEN GENERATOR LOCATED BETWEEN THE FRAME RAILS.
 - WARN #10,000 PORTABLE RECEIVER STYLE WINCH
 - FLOOR IN CAB AND CREW CAB TO BE PADDED RUBBER
 - SETLOW 7-POSITION INTERCOM SYSTEM
 - S/S GUARDS ON ALL BODY ROLL-UP DOORS
 - PULL STRAPS ON ALL BODY ROLL-UP DOORS
 - PIERCE LED LIGHT STRIPS IN ALL BODY AND HATCH COMPARTMENTS
 - 15A, 120V 6-PLACE RECEPTACLE STRIP IN EACH FORWARD FACING CAB COMPARTMENT
 - (2) #9,000 RECEIVER STYLE TIE DOWNS

(SIDE ROLL AND FRONTAL IMPACT PROTECTION)

CLEAR DOOR WIDTH KEY		REV	DATE	BY	CH	CHASSIS DATA
AMDR ROLL UP DOORS:	-2 1/4"	18SEP24	DHE	AZU		TITLE
CURTITE ROLL UP DOORS:	-2 1/2"	18MAR24	DHE	AZU		HEAVY DUTY RESCUE NON-WALK-IN
PIERCE DOUBLE LAP DOORS:	-4 1/4"	26JAN24	DHE	AZU	PIERCE	FOR
PIERCE LIFT-UP LAP DOORS:	-1 1/2"	06OCT23	DHE	CDK		SCOTTSDALE, CITY OF
(EX: 60" F-F - 2 1/4" = 57 3/4" CLEAR)						BID #763
(F-F) = FRAME TO FRAME						CALLIES, CHRIS
						DWG NO.
						38872AD
						SHEET NO.
						1 OF 1

Pierce MANUFACTURING INC.

JOB NO. 38872

SCALE 1:24 DATE

DRAWN BY DHE 21SEP23

CHECKED BY CDK 25SEP23

SHEET SIZE D SHEET NO. 1 OF 1