

RIGHT SIDE COMPARTMENTS CONTAIN THE FOLLOWING:

COMPARTMENT RS1 CONTAINS:

- (1) STD DEPTH ADJ SHELF
- (1) FLOOR MOUNTED TRAY
- (1) FLOOR MOUNTED TRAY WITH TOOLBOARD
- REGULATOR AND GAUGE FOR TOOL AIR OUTLET

COMPARTMENT RS2 CONTAINS:

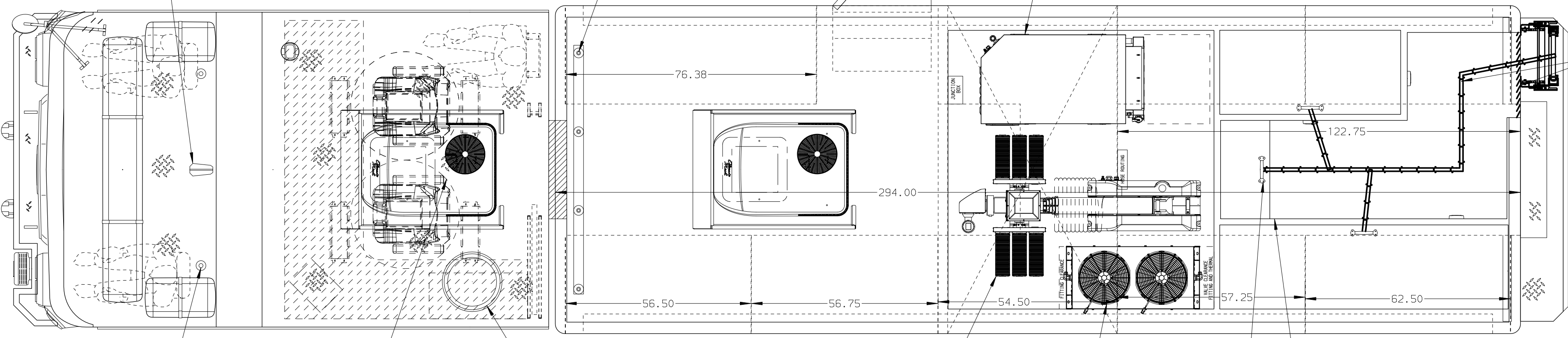
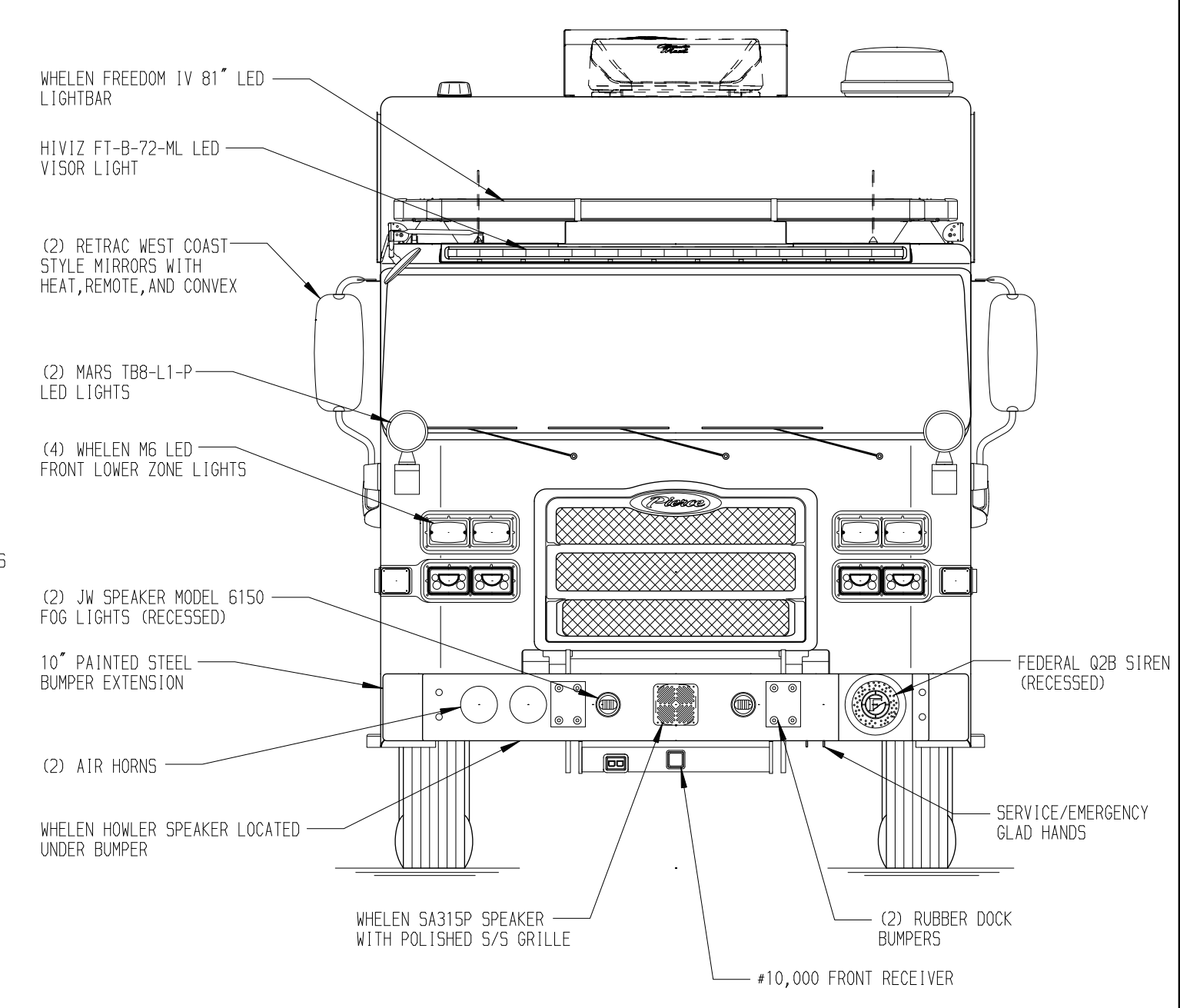
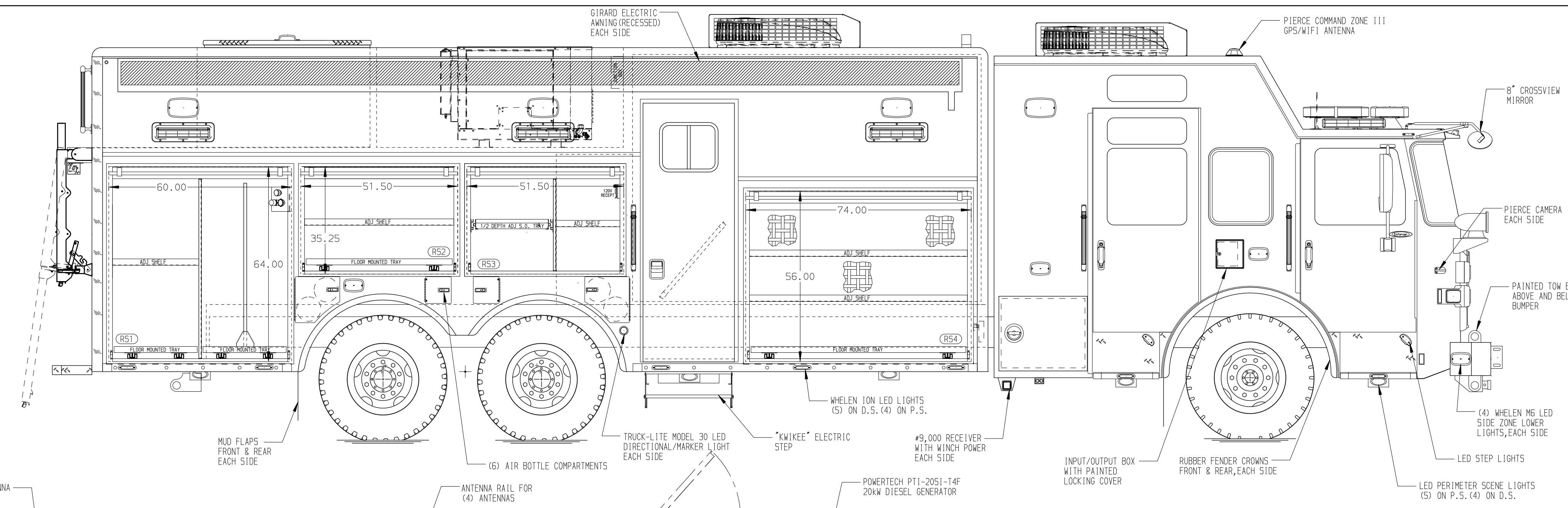
- (1) FLOOR MOUNTED TRAY
- (1) STD DEPTH ADJ SHELF

COMPARTMENT RS3 CONTAINS:

- (1) VERTICAL COMPARTMENT DIVIDER
- (1) 1/2 DEPTH ADJ SLIDE OUT TRAY
- (1) 15/20A, 120V DUPLEX RECEPTACLE
- (1) STD DEPTH ADJ SHELF

COMPARTMENT RS4 CONTAINS:

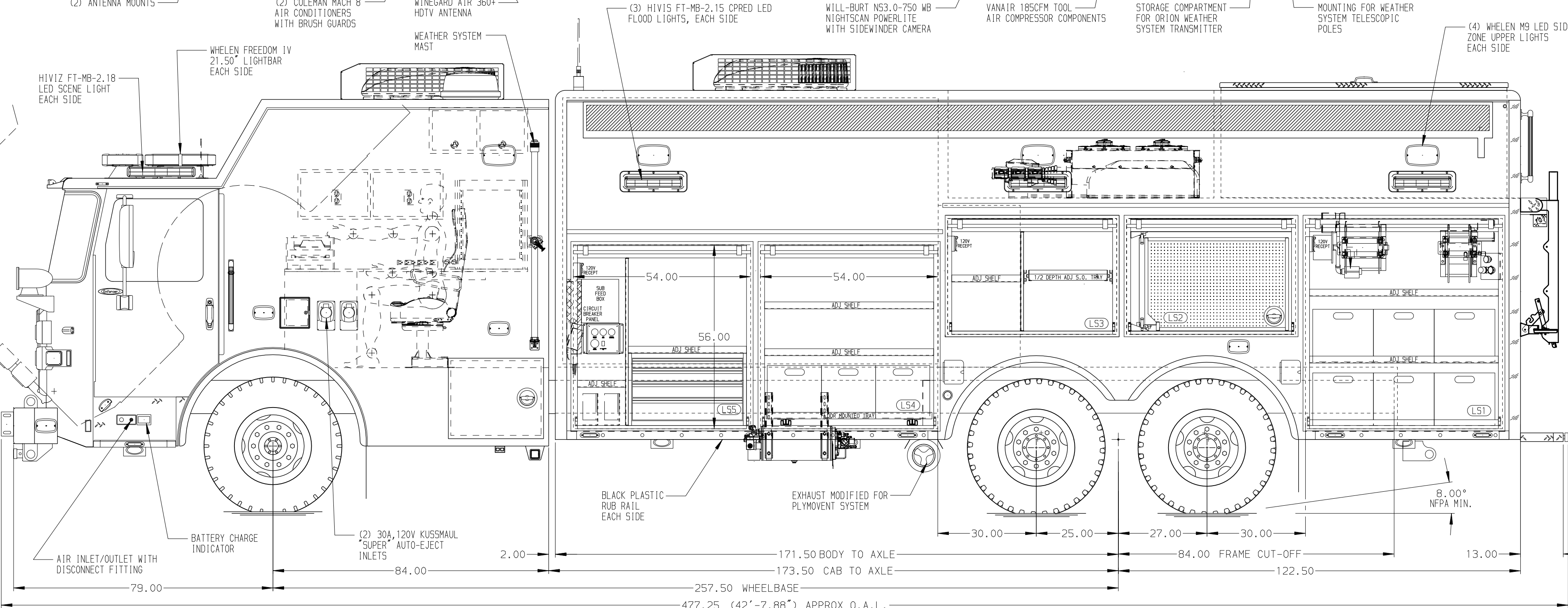
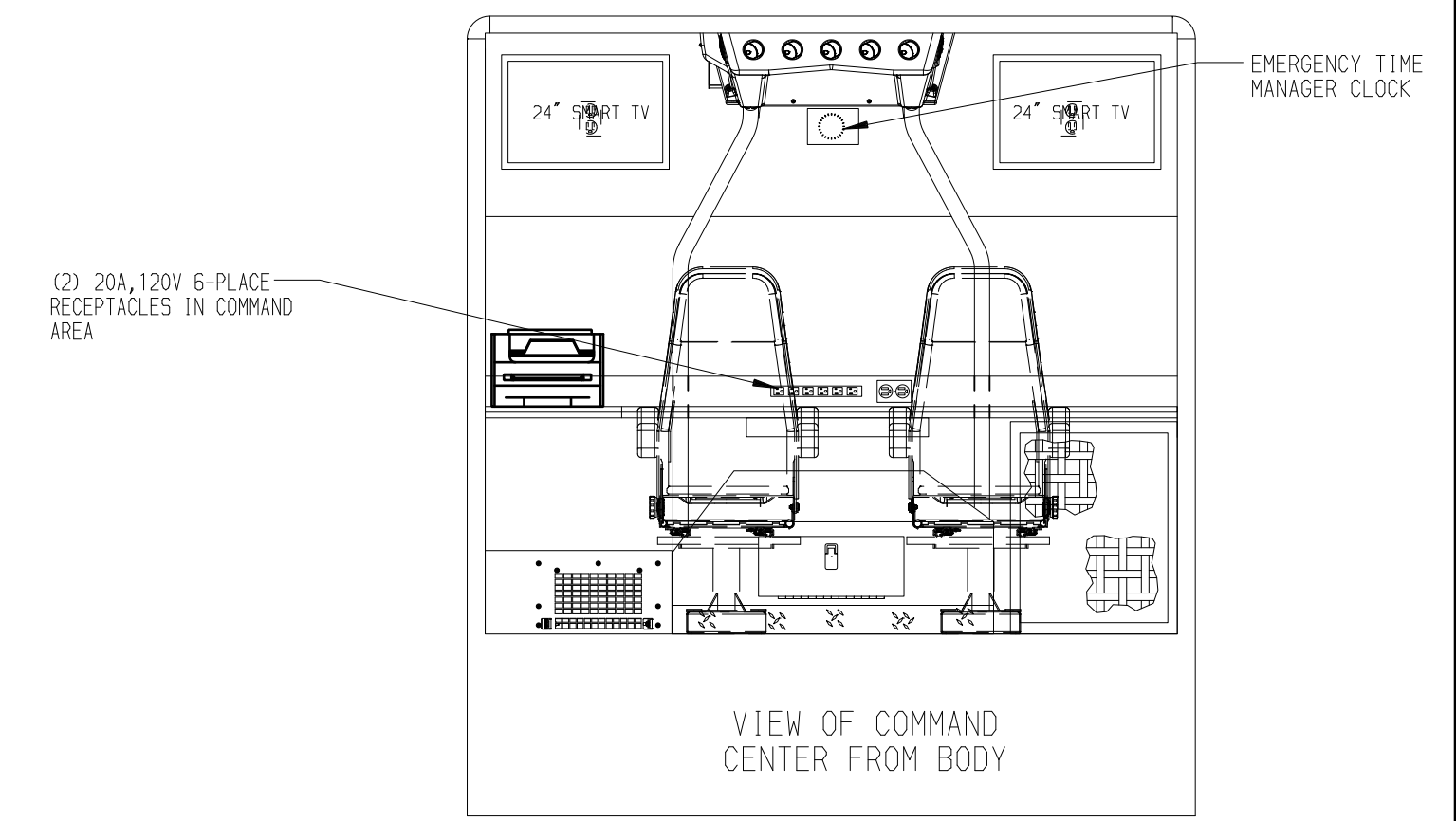
- (1) CAB LIFT CONTROLLER
- (2) STD DEPTH ADJ SHELVES
- (1) FLOOR MOUNTED TRAY
- (1) TOOL AIR COMPRESSOR OUTLET



REAR COMPARTMENT CONTAINS THE FOLLOWING:

COMPARTMENT B1 CONTAINS:

- (1) HORIZONTAL FLOOR EXTENSION
- (1) 110\"/>



LEFT SIDE COMPARTMENTS CONTAIN THE FOLLOWING:

COMPARTMENT LS1 CONTAINS:

- (2) STD DEPTH ADJ SHELVES
- (2) POLY TOOL BOXES
- (1) ELECTRIC CORD REEL WITH 200' OF 10/4 YELLOW CORD
- (1) 15/20A, 120V DUPLEX RECEPTACLE
- (1) TOOL AIR REEL WITH 100' OF HOSE

COMPARTMENT LS2 CONTAINS:

- (1) SWING OUT TOOLBOARD
- PEGBOARD ON BACK WALL OF COMPARTMENT

COMPARTMENT LS3 CONTAINS:

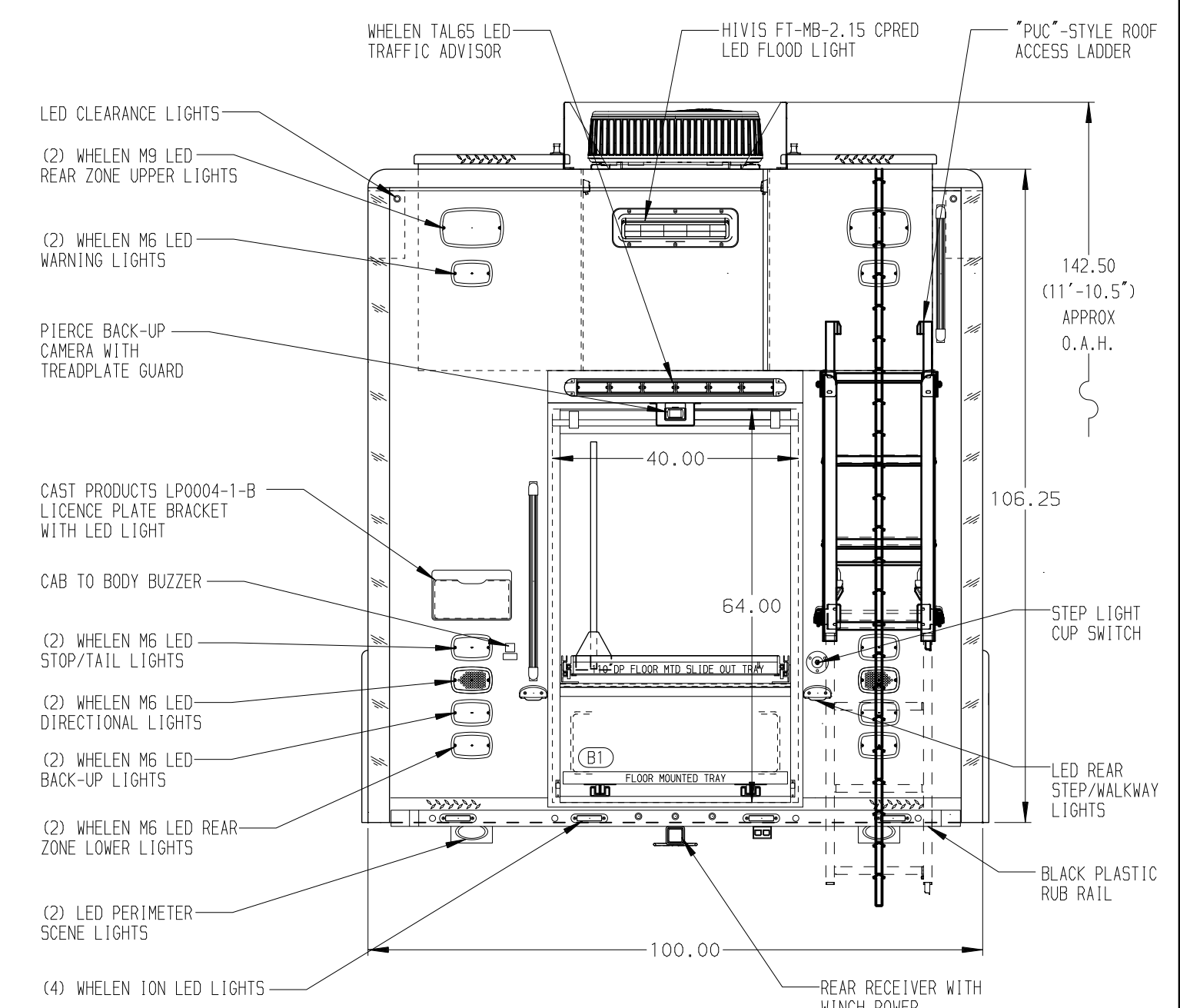
- (1) VERTICAL COMPARTMENT DIVIDER
- (1) STD DEPTH ADJ SHELF
- (1) 15/20A, 120V DUPLEX RECEPTACLE
- (1) 1/2 DEPTH ADJ SLIDE OUT TRAY

COMPARTMENT LS4 CONTAINS:

- (2) STD DEPTH ADJ SHELVES
- (3) POLY TOOL BOXES
- (1) FLOOR MOUNTED TRAY

COMPARTMENT LS5 CONTAINS:

- (1) CIRCUIT BREAKER PANEL
- (2) SUB FEED BOXES
- (2) PROGRESSIVE DYNAMICS CHARGERS
- (1) VERTICAL COMPARTMENT DIVIDER
- (2) STD DEPTH ADJ SHELVES
- (1) 4-DRAWER C-TECH CABINET
- (1) NIGHT SCAN CONTROLLER
- (1) 15/20A, 120V DUPLEX RECEPTACLE
- (1) VANAIR SYSTEM CONTROL PANEL



NOTE
DIMENSIONS SHOWN ARE APPROXIMATE AND ARE SUBJECT TO MINOR DEVIATIONS AS MAY OCCUR OR BE NECESSARY IN CONSTRUCTION. MINOR DETAILS NOT SHOWN.

NOTES:

- POLISHED 5/5 SCUFFPLATES ON CAB AND CREW CAB DOOR JAMBS
- CAB AND CREW CAB ROOF TO HAVE ALUMINUM TREADPLATE
- SLIDING POCKET DOOR ON REAR OF CREW CAB
- FLOOR IN CAB AND CREW CAB TO BE PADDED RUBBER AND ALUMINUM TREADPLATE
- SIGTRONICS 5-POSITION INTERCOM SYSTEM
- KUSMAUL 1200 CHARGER LOCATED BEHIND THE DRIVER'S SEAT
- POLISHED 5/5 SCUFFPLATES ON REAR CORNERS OF THE BODY
- 5/5 GUARDS ON ALL BODY ROLL-UP DOORS
- PIERCE DUAL LED LIGHTS STRIPS IN ALL BODY AND HATCH COMPARTMENTS
- TURTLE TILE ON FLOORS IN COMPARTMENTS LS1,LS2,LS3,RS4,RS5, AND HATCH COMPARTMENTS
- TURTLE TILE ON ALL COMPARTMENT SHELVES AND TRAYS

CLEAR DOOR WIDTH KEY			
AMOR ROLL UP DOORS:	-2 1/4"		
GORTITE ROLL UP DOORS:	-2 1/2"		
PIERCE DOUBLE LAP DOORS:	-4 1/4"		
PIERCE LEFT-UP LAP DOORS:	-1 1/2"		
(EX: 60\"/>			

		JOB NO.	38800		
		SCALE	DATE		
TITLE	HEAVY DUTY RESCUE HAZ-MAT UNIT		DRAWN BY	DHE	01SEP23
FOR	BALTIMORE COUNTY MARYLAND BID #489		CHECKED BY	CDK	06SEP23
DWG NO.	38800AD-SH1		SHEET SIZE	SHEET NO.	
				1 OF 1	