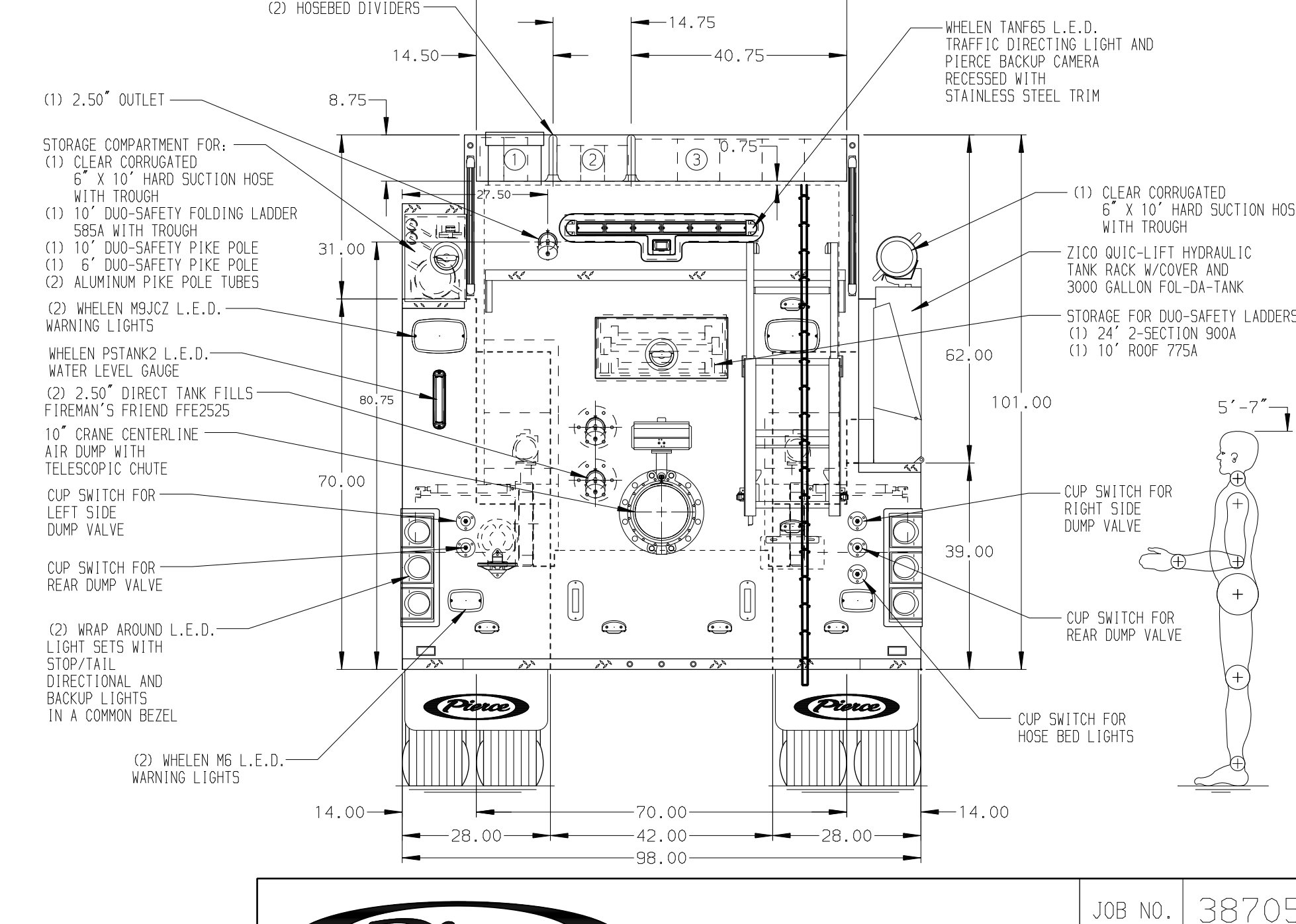
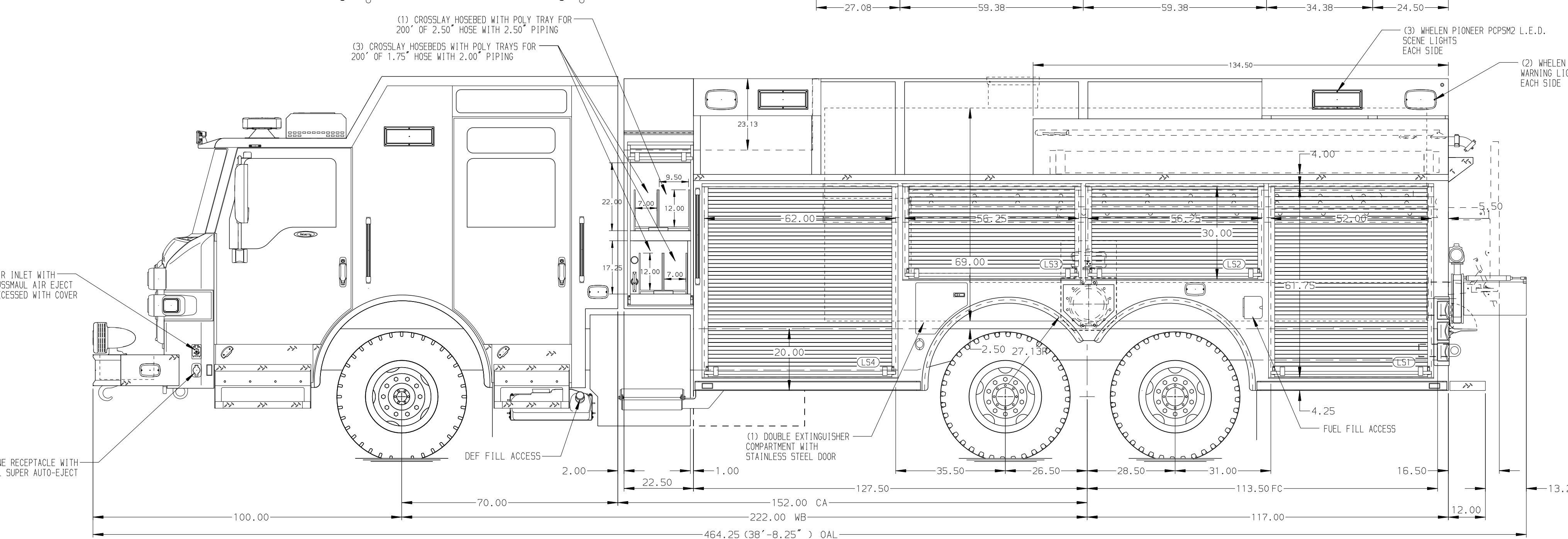


- HOSEBED CAPACITIES
- ① - 200' OF 2.50" DJP HOSE
 - ② - 400' OF 2.50" DJP HOSE
 - ③ - 800' OF 5.00" DJP HOSE



ALUMINUM BODY

SIDE ROLL AND FRONTAL IMPACT PROTECTION

NOTE
DIMENSIONS SHOWN ARE APPROXIMATE AND ARE SUBJECT TO MINOR DEVIATIONS AS MAY OCCUR OR BE NECESSARY IN CONSTRUCTION. MINOR DETAILS NOT SHOWN.

1. ONSPOT AUTOMATIC TIRE CHAINS TO BE PROVIDED AT REAR
2. WHEEL CHOCKS AND MOUNTINGS TO BE PROVIDED BY CUSTOMER
3. BATTERY CHARGER MOUNTED BEHIND DRIVER'S SEAT ON VERTICAL EMS WALL
4. BATTERY CHARGE INDICATOR LOCATED NEAR DRIVER'S SEAT RISER WITH BRACKET
5. UNDER PUMP HEAT ENCLOSURE

REV	DATE	BY	CH	VELOCITY
17SEP24	SAM	PHA		CHASSIS DATA
15MAY24	SAM	NPE		MAKE
20MAR24	SAM	NPE		PIERCE
19JAN24	SAM	NPE		MODEL

		JOB NO.	38705
		SCALE	DATE
TITLE 1500-D-2900P, 2900G WATER, 244" PUC TANKER BODY (3) CROSSLAYS, LADDERS THRU TANK, PORTABLE TANK RACK		DRAWN BY	08JAN24
FOR WEST BRANCH FIRE DEPARTMENT WEST BRANCH, IOWA		CHECKED BY	12JAN24
DWG NO. 38705AD		SHEET SIZE	SHEET NO.
		D	1 OF 1