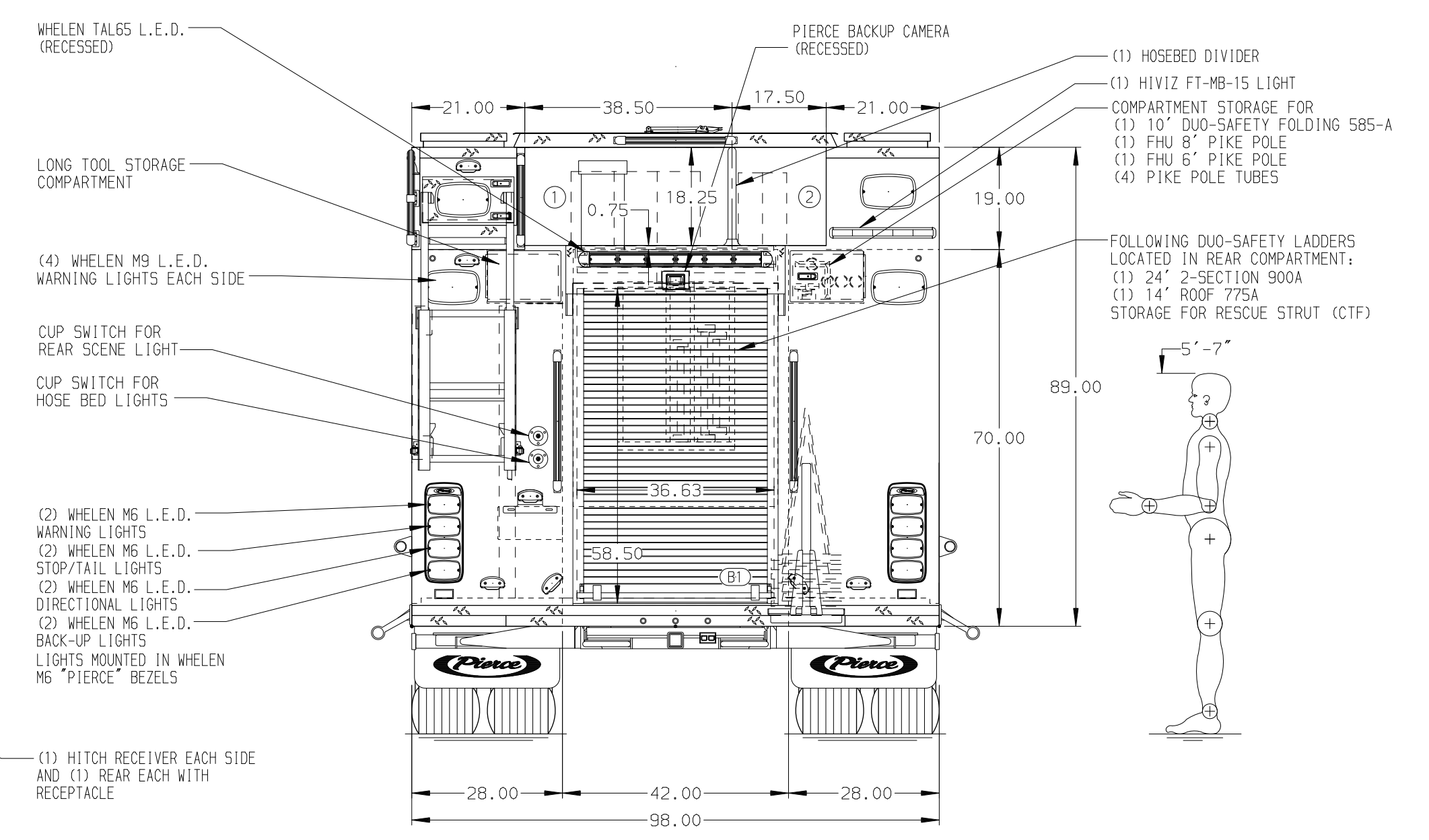
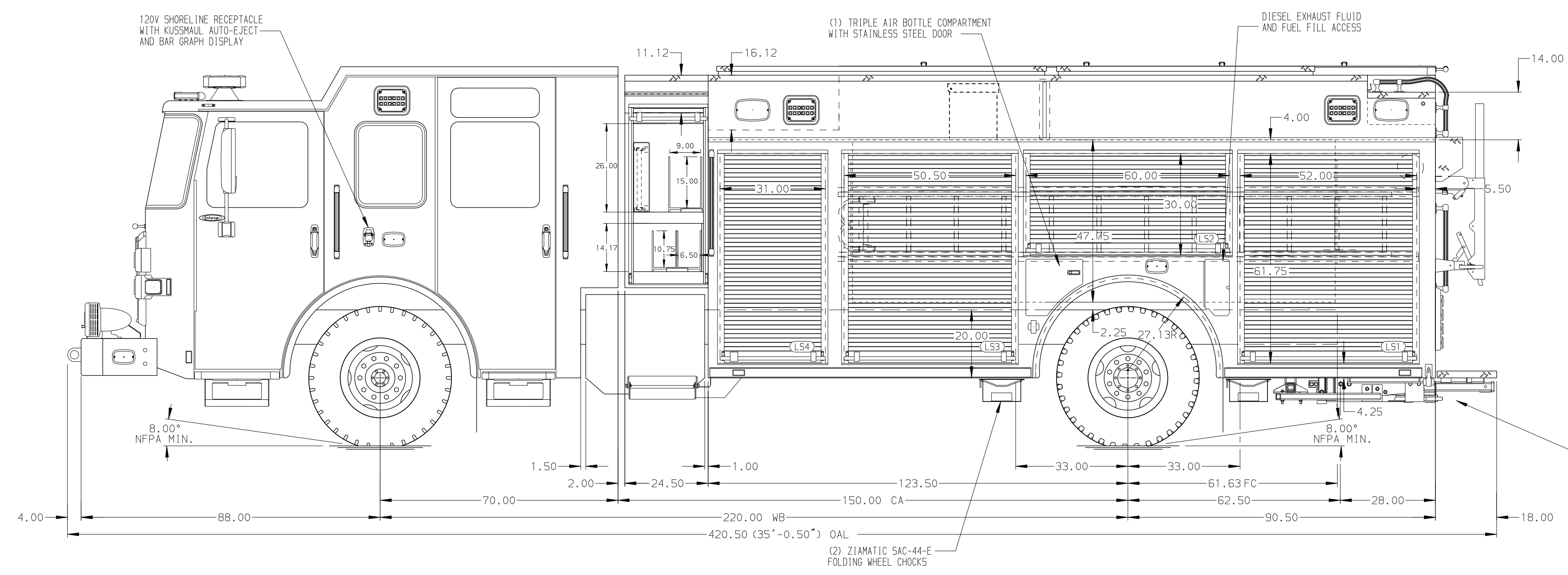


HOSEBED CAPACITIES
 ① 600' OF 5.00" D.J. POLY HOSE
 ② 450' OF 2.50" D.J. POLY HOSE



ALUMINUM BODY

MAXIMUM O.A.H. 114.00"

SIDE ROLL AND FRONTAL IMPACT PROTECTION

NOTE
 DIMENSIONS SHOWN ARE APPROXIMATE AND ARE SUBJECT TO MINOR DEVIATIONS AS MAY OCCUR OR BE NECESSARY IN CONSTRUCTION. MINOR DETAILS NOT SHOWN.

- AIR INLET WITH DISCONNECT COUPLING LOCATED IN DS STEP WELL
- DUAL L.E.D. LIGHT STRIPS LOCATED IN HOSE BED
- CIRCUIT BREAKER PANEL LOCATED IN LS4 PER ORDER
- TWO 120V JUNCTION BOXES LOCATED PER ORDER

REV	DATE	BY	CH	ENFORCER
1	19DEC24	BTH	CSH	CHASSIS DATA
2	22OCT24	BTH	CSH	MAKE
3	23JUL24	BTH	CSH	PIERCE
4	17JUL24	BTH	CSH	MODEL
5	21JUN24	BTH	PHA	

		JOB NO.	38558
		SCALE	DATE
TITLE	1500GPM, 600G TANK, 600G WATER POLY 214" PUC PUMPER, MUX	DRAWN BY	BTH
FOR	STRATFORD FIRE DEPARTMENT STRATFORD, CONNECTICUT	CHECKED BY	PHA
DWG NO.	38558AD	SHEET SIZE	SHEET NO.
		D	1 OF 1